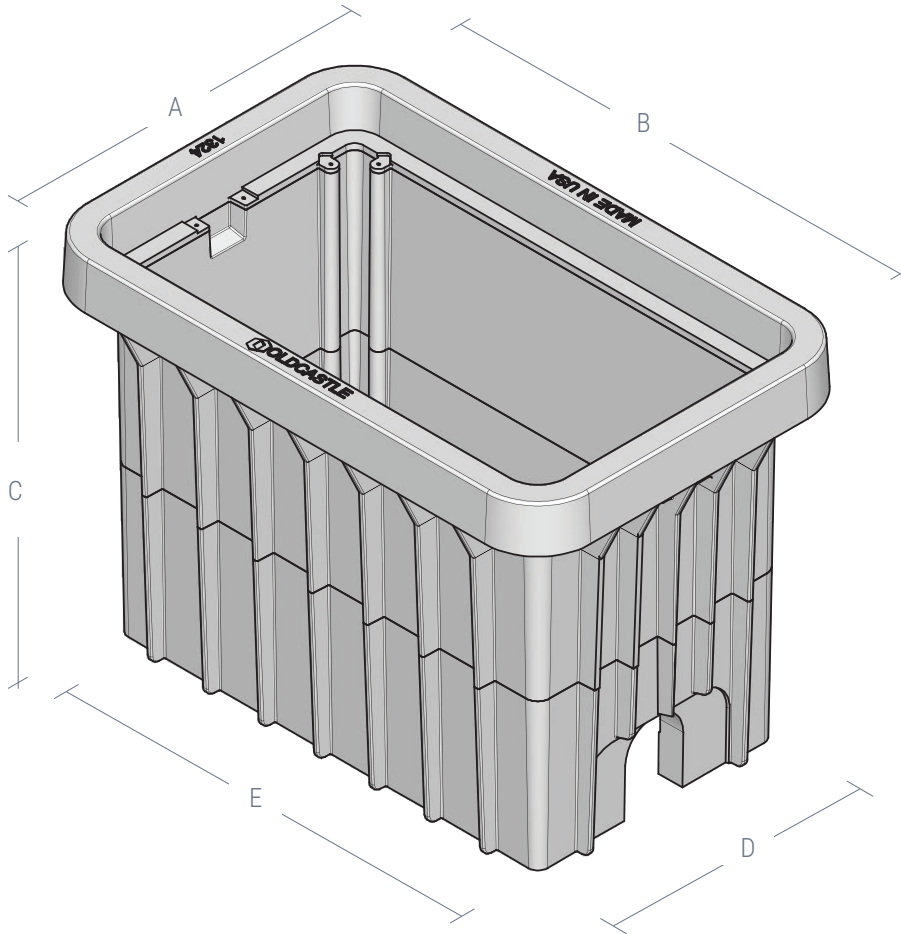


Heavywall™ **1324 BCF**



MATERIAL & STYLE

Polyethylene Blend
Straight Wall
Wall Thickness: 5/16"

1324-12

OES 20k Specification
20,000 lbs Vertical Loading
15.4 lbs

1324-18

OES 20k Specification
20,000 lbs Vertical Loading
25.2 lbs

OPTIONS

Mouseholes: 0-4

	A	B	C	D	E
1324-12	16 1/2"	26"	12"	13 9/16"	23 1/16"
1324-18	16 1/2"	26"	18"	13 9/16"	23 1/16"



MEDIUM DUTY

For use in non-vehicular traffic situations only. Weights and dimensions may vary slightly. Actual load rating is determined by the box and cover combination.

© 2019 Oldcastle Infrastructure, Inc



OPTIONS



Available Covers:

- Composite, Flush Solid
- Composite, Flush with Cast Iron Reader Door
- Composite, Flush with AMR Recess
- Composite, Flush with AMR Bracket
- Polymer, Flush Solid
- Polymer, Flush with Cast Iron Reader Door
- Ductile Iron, Flush Solid
- Ductile Iron, Flush with Max View Reader Door

Add On Options:

- Touch Read Hole

 **WARNING:** Cancer - www.P65Warnings.ca.gov

All information contained on this sheet is current at the time of publication.
Oldcastle reserves the right to discontinue or update product information without notice.

Revision 10/30/19
© 2019 Oldcastle Infrastructure, Inc