

**GENERAL DESCRIPTION:**

Manual Piston-Type Water Closet Flush Valve for floor-mounted or wall-hung 1-1/2" top spud bowls.

**INCLUDES:**

- 1" I.P.S. angle stop with back-flow prevention and vandal-resistant cap
- Sweat solder kit including cover tube and wall flange
- High back pressure vacuum breaker with down tube
- Spud coupling & flange for 1-1/2" top spud

**PRODUCT FEATURES:**

- Self-cleaning brass piston with integral wiper spring prevents clogging and reduces maintenance
- Piston operation delivers superior flush accuracy and repeatability
- Piston valve remains closed and does not need to be reset after loss of water pressure
- Non-hold open handle provides automatic shut-off after every flush
- Fail-Safe Operation: Valve automatically closes and does not need to be reset, on loss of water pressure
- Positive seal ensures leak-free performance
- No external volume adjustment
- Durable chrome-plated cast brass construction is ideal for commercial applications
- Chemical-resistant EPDM seals for long life
- Adjustable tailpiece for rough-in flexibility

**MODEL NUMBER:**

□ 6047.111.002 Flush Valve for 11-1/2" Supply C/L to top of bowl, 1.1 gpf

**NOTICE:**

To ensure proper performance, this 1.1 gpf (4.2 Lpf) Toilet Flush Valve must be installed on a flushometer bowl that is certified (per ASME A112.19.2/CSA B45.1) to operate at 1.1 gpf (4.2 Lpf).

**OPERATING PRESSURE:**

Overall Range: 20-125 psi\*\*

Recommended: 25 psi (flowing)-80 psi (static)

\*\* Water pressure over 80 psi is not recommended for most plumbing fixtures.

**FLOW REQUIREMENT:**

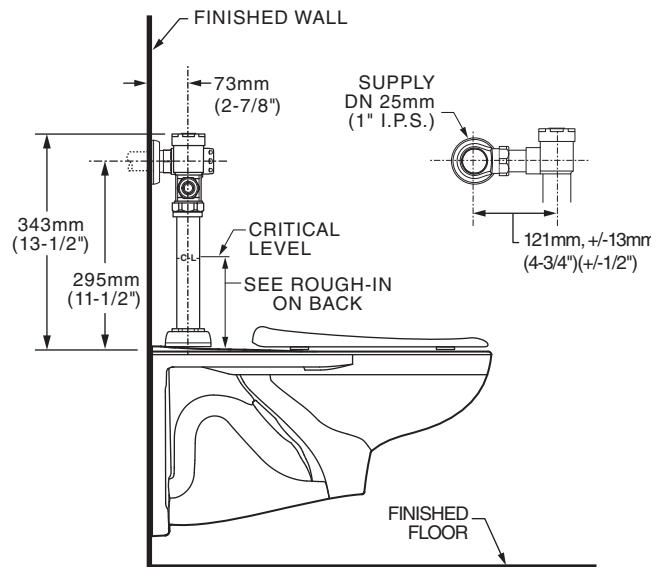
25gpm (94.6 L/min.)

**MaP\* Score**

- 1,000 grams of miso @ 1.1 gpf (when used with an American Standard Afall Millenium or Madera universal flushometer bowl)

\*Maximum Performance (MaP) testing performed by IAPMO R&T Lab. MaP Report conducted by Veritec Consulting, Inc. and Koeller and Company.

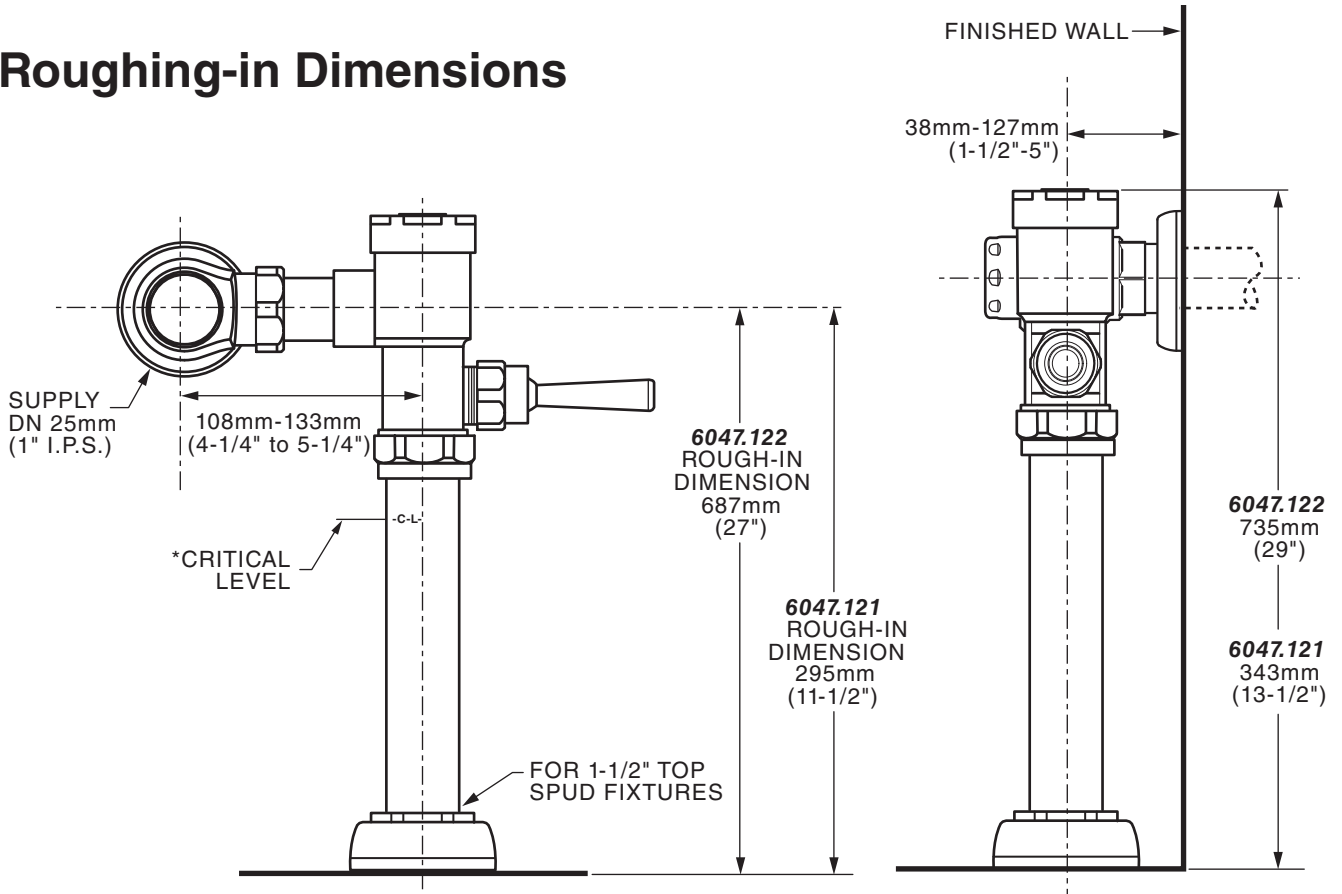
**TYPICAL WATER CLOSET INSTALLATION:  
AFWALL™ TOILET SHOWN**



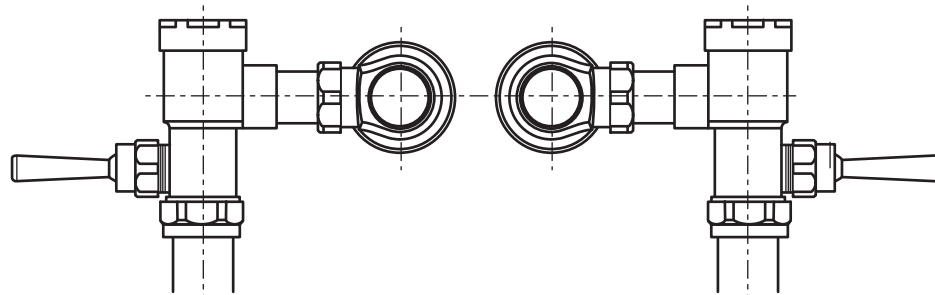
**RECOMMENDED SPECIFICATION:**

Manual toilet flush valve shall feature self-cleaning brass piston valve with integral wiper spring in refill orifice to prevent clogging. Valve remains closed and does not need to be reset after loss of water pressure. Includes cast brass valve body and cover with chrome finish and vandal resistant stop cap. Includes sweat solder kit with wall flange and cover tube. High back pressure vacuum breaker and angle stop with back-flow protection and vacuum breaker included. 1.1 gpf / 4.2 Lpf Flush valve shall be American Standard Model # 6047.111.002.

## Roughing-in Dimensions



\*Note: The Critical Line (-C-L) on Vacuum Breaker must typically be a minimum of 6" (152mm) above fixture. Consult Codes for details.



Left or Right Hand Installation