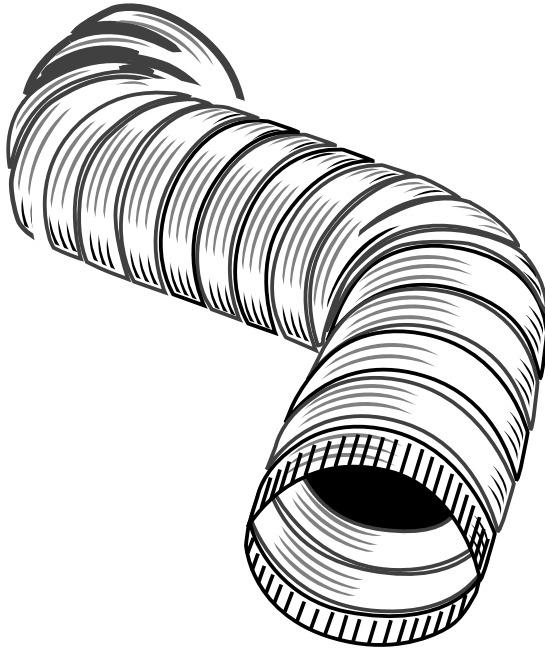
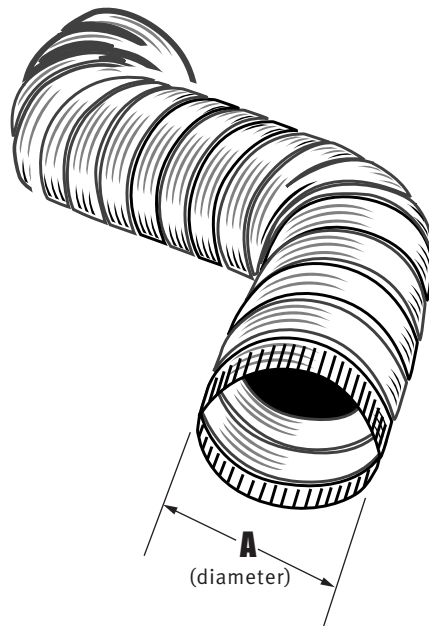


## Semi Rigid Flexible Aluminum Duct with Crimped End – Class O Flexible Air Duct



## Semi-Rigid Flexible Aluminum Duct with Crimped End



Model No.	Description
Ao38C/16	Semi Rigid Flex. Alum. Duct Crimped
Ao48C/9	Semi Rigid Flex. Alum. Duct Crimped
Ao48C/16	Semi Rigid Flex. Alum. Duct Crimped
Ao68C/4	Semi Rigid Flex. Alum. Duct Crimped

### Performance Data

for uninsulated aluminum flexible duct

#### Maximum Velocity

- 5000 FPM

#### Maximum Rated Pressures

- 3"-10" dia., 6" w.g. Pos/Neg

#### Operating Temperature Range

- -100 F to 430 F

#### Class O Air Duct, Flexible

#### Flame Spread/Smoke Developed

- 0/0

### General Information

- 8 foot lengths compress to 28 inches
- conveniently crimped on one end for easy attachment
- material description:  
common name - aluminum alloy  
trade name - aluminum alloy 3003
- multiple use duct - our semi rigid flexible duct can be used for exhaust venting bathroom vents, clothes dryers, range hoods etc.

Model No.	A	length
Ao38C/16	3" dia.	8 ft.
Ao48C/9	4" dia.	8 ft.
Ao48C/16	4" dia.	8 ft.
Ao68C/4	6" dia.	8 ft.