

# COMBINATION ROOF DRAIN & OVERFLOW

## 868 SERIES

### SPECIFICATION

Sioux Chief 868 Series cast iron combination roof drain and overflow shall be used where necessary in drainage systems. Fixture includes both drain and overflow fixtures and coated steel, side-by-side mounting plate. Drain and overflow fixtures shall have a low-profile, enamel-coated cast iron dome strainer. Dome strainer shall turn-to-lock into gravel guard / water dam. Cast iron drain body shall have no-hub connection. Designed in accordance with ASME A112.6.4-2003

### MATERIALS

**Dome strainer:** enamel-coated cast iron / aluminum

**Gravel guard / water dam:** enamel-coated cast iron

**Drain body:** enamel-coated cast iron

**Mounting plate:** powder-coated steel - 12 gauge

### STRAINER FREE-AREA

75.75 in<sup>2</sup> (each fixture)

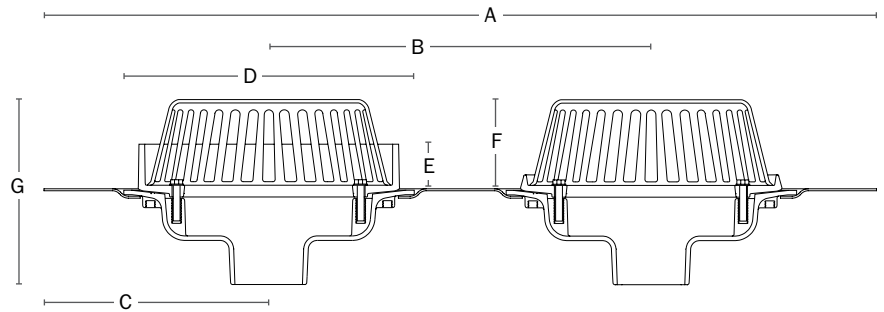
### DIMENSIONS

<b>A:</b> Plate - length x width	44 <sup>3</sup> / <sub>8</sub> " x 24"
<b>B:</b> Fixture center-to-center	20 <sup>3</sup> / <sub>8</sub> "
<b>C:</b> Fixture center to plate end	12"
<b>D:</b> Fixture flange diameter	15"
<b>E:</b> Water dam height	2 <sup>1</sup> / <sub>4</sub> "
<b>F:</b> Dome strainer height	4 <sup>3</sup> / <sub>8</sub> "
<b>G:</b> Overall height	10"

ITEM # SUBMITTED	_____
JOB NAME	_____
LOCATION	_____
ENGINEER	_____
CONTRACTOR	_____
PO#	_____ TAG _____



868-D1504



## Create Item Number

### 868-AB

e.g. **868-D1504HP:** 4" Cast iron combination roof drain and overflow with undermount hardware kits and internal water dam

#### CONNECTION A

- D1503** = 3" No-hub
- D1504** = 4" No-hub
- D1506** = 6" No-hub
- D1508** = 8" No-hub

#### OPTIONS B

- A** = Aluminum dome strainer\*
  - H** = Undermount hardware kit (two kits)
  - U** = Underdeck clamp kit (two kits)
  - E** = Adjustable extension kit (two kits)
  - P** = 2" high internal water dam  
in place of external water dam
  - V** = Vandal-resistant dome strainer
- \* Cast iron dome strainer is standard

#### Available separately:

- Aluminum dome strainer: 868-15AD
- Cast iron dome strainer: 868-15CD
- Dual mounting plate: 868-15S2  
44<sup>3</sup>/<sub>8</sub>" x 24" x 12-ga coated steel
- Undermount hardware kit: 868-15SH  
4 pcs angle bracket, thread rod, nuts, washers
- Underdeck clamp kit: 868-15U  
two-piece cast iron clamping plate with hardware
- External water dam: 868-15WD  
2" high, cast iron external water dam
- Adjustable extension assembly kit: 868-15EXT