

DAYTON® SPECIFICATIONS

Dayton® Elite Bar Sink Kit Model DSEP1515C

GENERAL

Sink is formed of #20 gauge, 300 series, nickel-bearing stainless steel.
Top mount.


DESIGN FEATURES

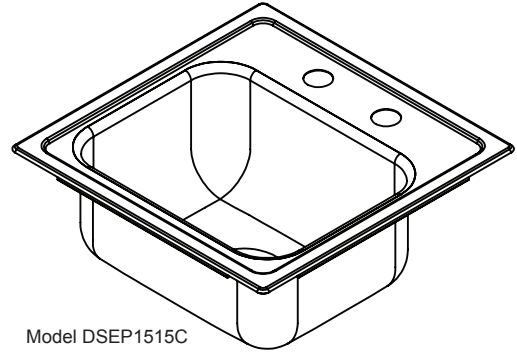
Bowl Depth: 6" (152mm)
Coved Corners: 1-3/4" (44mm) vertical and horizontal radius.
Rim Height: 3/16" (5mm)
Faucet Deck: Raised
Finish: Exposed surfaces are polished to an Elite satin finish.
Underside: Fully undercoated.

OTHER

Drain Opening: 2" (51mm)
Installation Hardware: Included for 3/4" (19mm) countertop.
Sink complies with ASME A112.19.3/ CSA B45.4

 Sinks are listed by IAPMO® as meeting the applicable requirements of the Uniform Plumbing Code®, International Plumbing Code®, and National Plumbing Code of Canada.

 These sinks are compliant to ADA and ANSI/ICC A117.1 accessibility requirements when installed according to the requirements outlined in these standards.



Model DSEP1515C

SINK DIMENSIONS (INCHES)*

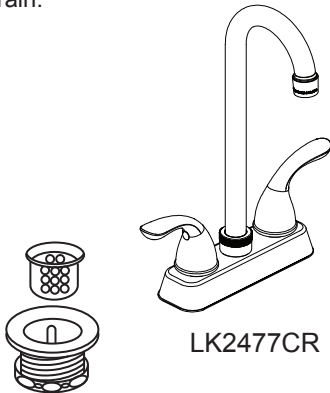
Model Number	Overall		Inside Each Bowl			Cutout in Countertop (1-1/2" (38mm) Radius Corners)		No. of 1-1/2" (38mm) Dia. Faucet Holes 4" (102mm) Center	Minimum Cabinet Size
	L	W	L	W	D	L	W		
DSEP1515C	15 (381mm)	15 (381mm)	12 (305mm)	9-1/4 (235mm)	6 (152mm)	14-3/8 (365mm)	14-3/8 (365mm)	2	18 (457mm)

*Length is left to right. Width is front to back.



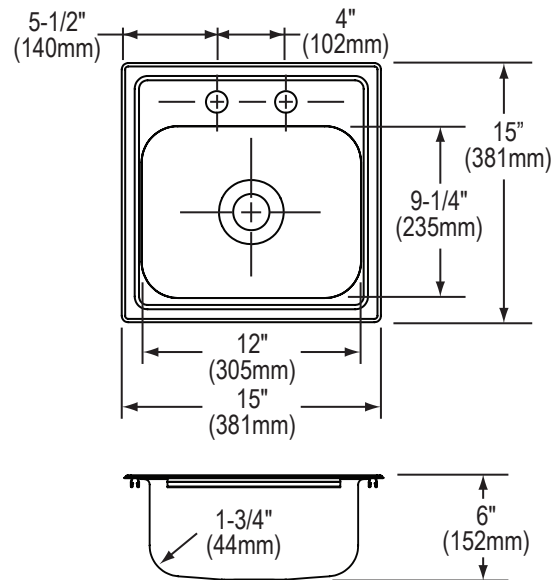
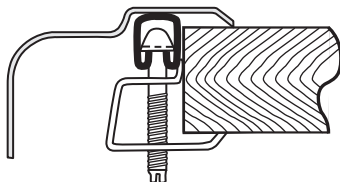
SINK PACKAGE

DSEP1515C includes: (1) Sink, (1) Faucet - LK2477CR and (1) Drain.



LK2477CR

U-Channel Type Mounting System



In keeping with our policy of continuing product improvement, Elkay reserves the right to change product specifications without notice. Please visit elkay.com for the most current version of Elkay product specification sheets.

This specification describes an Elkay product with design, quality, and functional benefits to the user. When making a comparison of others producers offerings, be certain these features are not overlooked.