



SUBMITTAL DATA

5601 ERIE PATTERN CURB BOX

Model Number	Extended Length "A"*	5660 Rod Length "B"
5601 2 1/2'	2' - 6"	12"
5601 3'	3' - 0"	18"
5601 3 1/2'	3' - 6"	24"
5601 4'	4' - 0"	30"
5601 4 1/2'	4' - 6"	36"
5601 5'	5' - 0"	42"
5601 5 1/2'	5' - 6"	48"
5601 6'	6' - 0"	54"
5601 6 1/2'	6' - 6"	60"
5601 7'	7' - 0"	66"
5601 7 1/2'	7' - 6"	72"
5601 8'	8' - 0"	78"

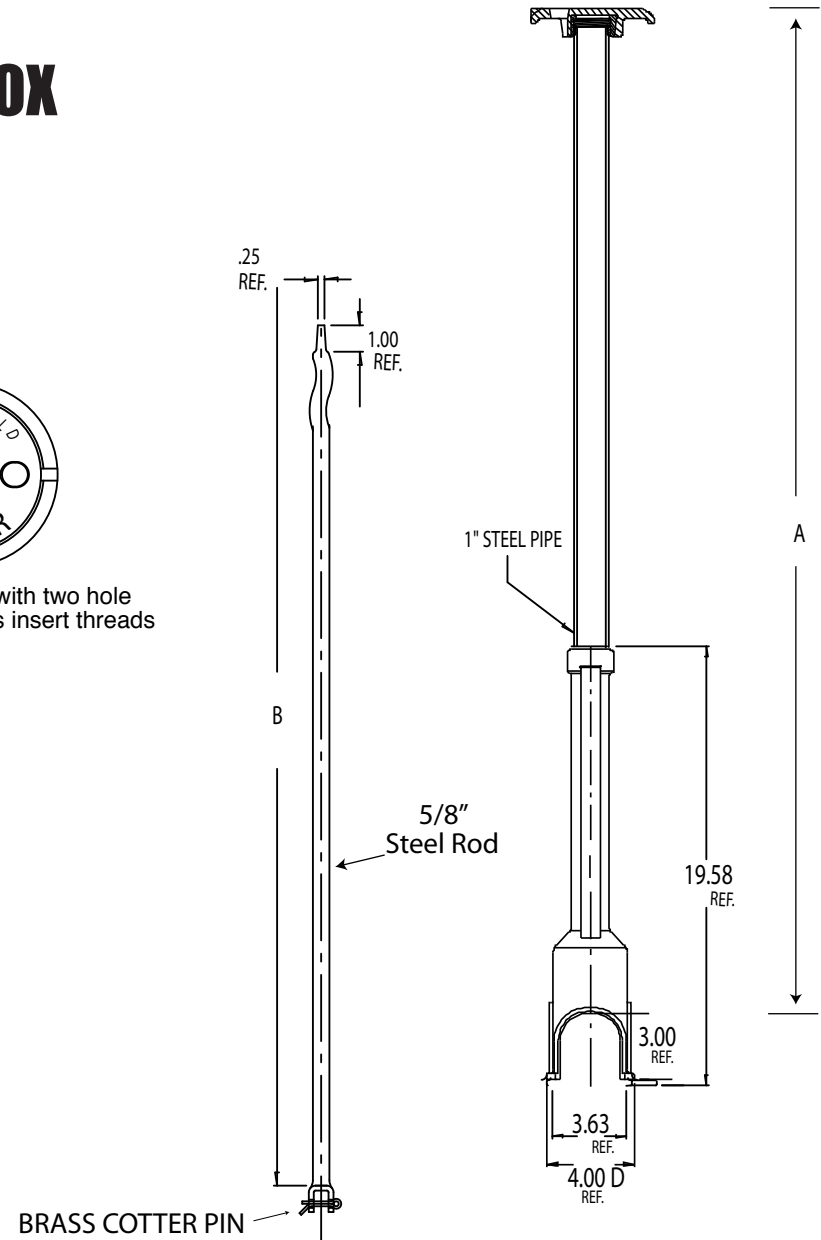
* Lengths shown are fully extended

- Cast iron "WATER" lid
- Cast iron arch pattern design
- Upper section 1" steel pipe
- Telescoping length of 12"
- For Curb Box without rod, order Model 5601LR
- For use with regular pattern inverted Plug Corp Stops 1/2", 5/8", 3/4" and 1"
- For use with regular pattern Ball Valves 5/8", 3/4" and 1" ball size

A.Y. McDONALD CONSIDERS THE INFORMATION ON THIS ASSEMBLY DRAWING CORRECT WHEN PUBLISHED. ITEM AND OPTION AVAILABILITY, INCLUDING SPECIFICATIONS, ARE SUBJECT TO CHANGE WITHOUT NOTICE. PLEASE VERIFY THAT PRODUCT INFORMATION IS CURRENT.



4.13 Cast iron water lid with two hole erie pattern and brass insert threads



Model 5660 Rod

PREPARED FOR: _____
 SUBMITTED BY: _____
 DATE: _____

(4513-105 - Curb Boxes)