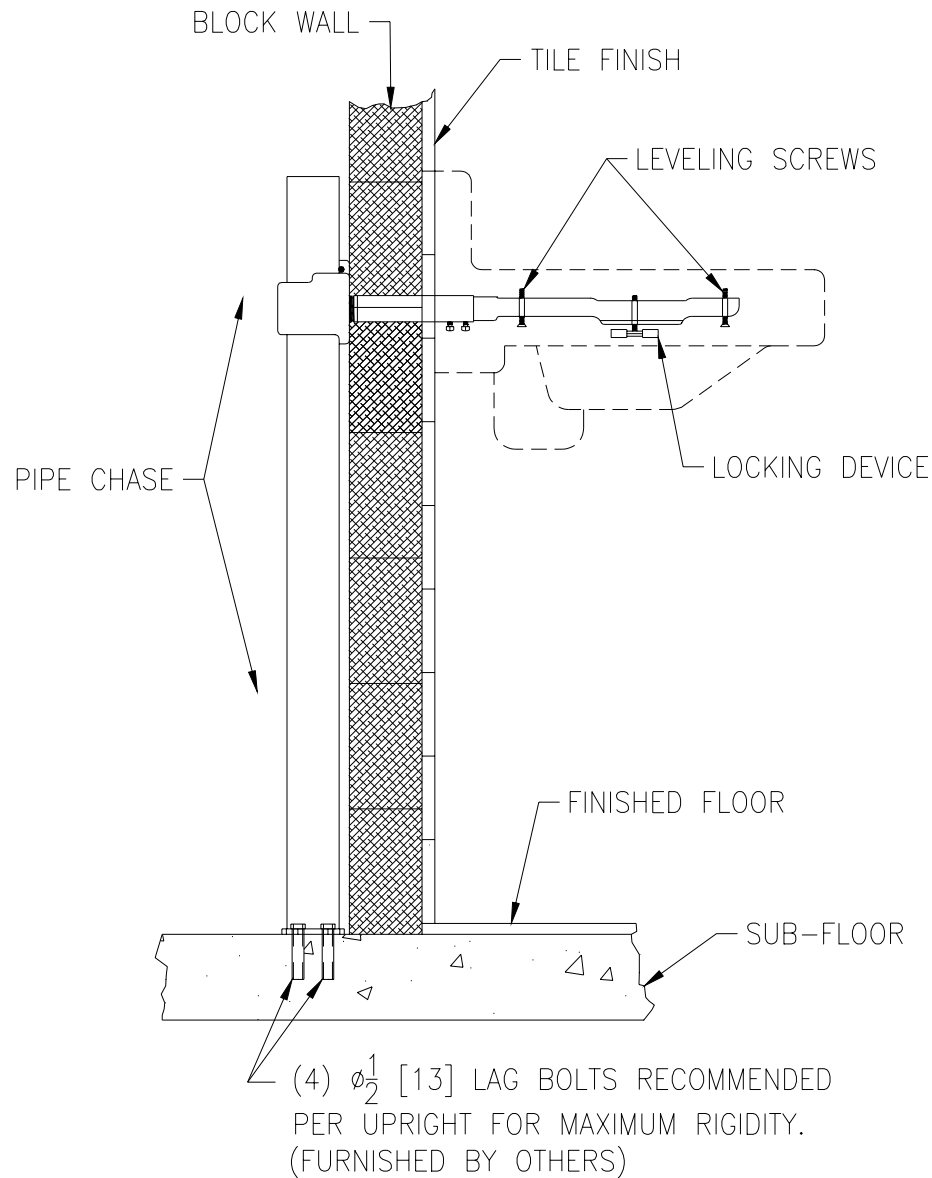




GENERAL PRODUCT ILLUSTRATION
Z-1231-SL
WALL LAVATORY CONCEALED ARM SYSTEM

Dimensional Data (inches and [mm]) are Subject to Manufacturing Tolerances and Change Without Notice



Z-1231-SL
WALL LAVATORY CONCEALED ARM SYSTEM

Installed behind a block wall. The fixture is installed over cast iron arms and leveled by use of four leveling screws. Securing the fixture is accomplished by turning down the locking devices.

Form # C22

Date: 8/10/99

C.N. No. 83152

Rev.

ZURN INDUSTRIES, INC. ♦ SPECIFICATION DRAINAGE OPERATION ♦ 1801 Pittsburgh Ave. ♦ Erie, PA 16514

Phone: 814/455-0921 ♦ Fax: 814/454-7929 ♦ World Wide Web: www.zurn.com

In Canada: ZURN INDUSTRIES LIMITED ♦ 3544 Nashua Drive ♦ Mississauga, Ontario L4V1L2 ♦ Phone: 905/405-8272 Fax: 905/405-1292