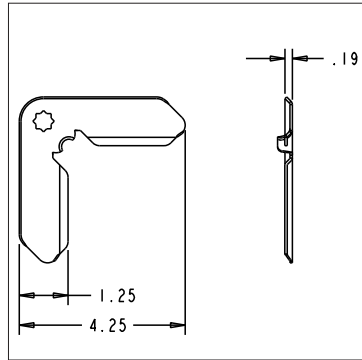


## Product Data Sheet



### Description

The Elgen F-W Corner is used in conjunction with the Transverse Duct Flange formed on Flange.

### Features

Add rigidity to the Transverse Duct Flange  
Hold ductwork together  
Provides a sealing surface for the Elgen 440 Butyl Gasket  
Union Made

### Standard Construction

Stamped from 14 GA ASTM A-653 G60 material  
Manually inserted into F Flange  
Accepts a 3/8" carriage bolt  
Weight(per box): 54 lbs

### Packaging

Box Qty	Skid Qty
300	28,800

### Guarantee

All Elgen products are guaranteed by Elgen Manufacturing against defective material.

Elgen Manufacturing  
10 Railroad Ave, Closter NJ 07624  
Tel: 800.503.9805 :: Fax: 201.964.9030  
info@elgenmfg.com :: www.elgenmfg.com