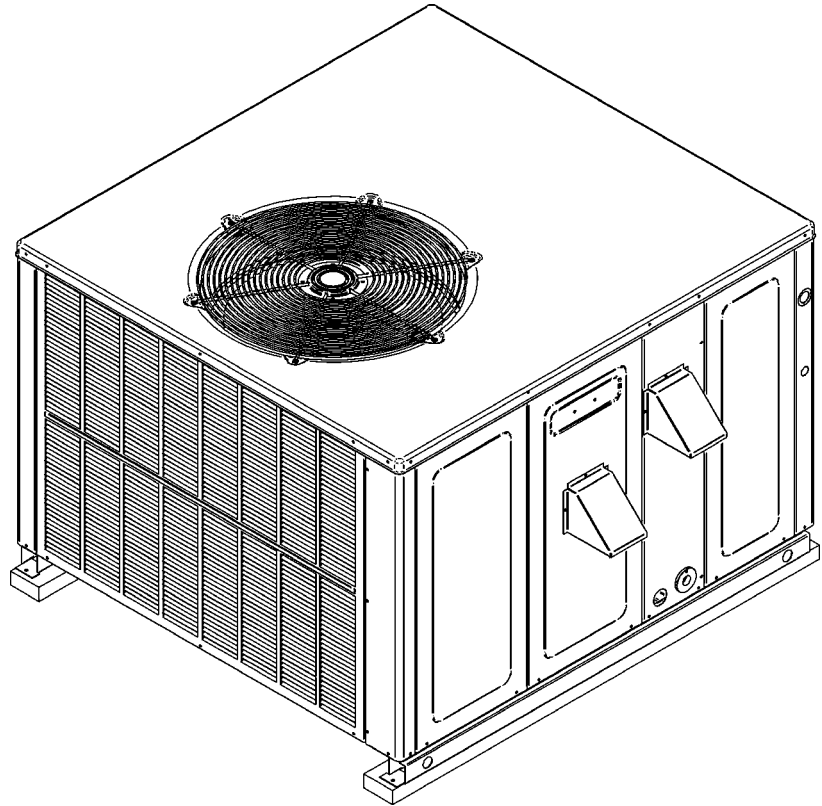


REPAIR PARTS

A/GPG13 Package Gas Units

APG1324045M41BA
APG1324070M41BA
APG1330045M41BA
APG1330070M41BA
APG1336045M41BA
APG1336070M41BA
APG1336090M41BA
APG1342070M41BA
APG1342090M41BA
APG1348070M41BA
APG1348090M41BA
APG1348115M41BA
APG1360090M41BA
APG1360115M41BA
APG1360140M41BA
GPG1324045M41BA
GPG1324070M41BA
GPG1330045M41BA
GPG1330070M41BA
GPG1336045M41BA
GPG1336070M41BA
GPG1336090M41BA
GPG1342070M41BA
GPG1342090M41BA
GPG1348070M41BA
GPG1348090M41BA
GPG1348115M41BA
GPG1360090M41BA
GPG1360115M41BA
GPG1360140M41BA



This manual is to be used by qualified technicians only.

© 2012 Goodman Manufacturing Company, L.P. ♦ 5151 San Felipe, Suite 500 ♦ Houston, TX 77056

Important Information

Index

Functional Parts List	3
Illustration and Parts	4 - 15

Views shown are for parts illustrations only, not servicing procedures.

This system uses R410A refrigerant. If sealed system work is required, use approved equipment and follow service procedures. Refer to Service Manual or Installation Instructions for service procedures.

Text Codes:

AR - As Required

NA - Not Available

NS - Not Shown

00000000 - See Note

QTY - Quantity Example (QTY 3) (If Quantity not shown, Quantity = 1)

M - Model Example (M1) (If M Code not shown, then part is used on all Models)

Expanded Model Nomenclature:

Example M1 - Model#1 M2 - Model#2 M3 - Model#3

Goodman Manufacturing Company, L.P. is not responsible for personal injury or property damage resulting from improper service. Review all service information before beginning repairs.

Warranty service must be performed by an authorized technician, using authorized factory parts. If service is required after the warranty expires, Goodman Manufacturing Company, L.P. also recommends contacting an authorized technician and using authorized factory parts.

Goodman Manufacturing Company, L.P. reserves the right to discontinue, or change at any time, specifications or designs without notice or without incurring obligations.

For assistance within the U.S.A. contact:
Consumer Affairs Department
Goodman Manufacturing Company, L.P.
7401 Security Way
Houston, Texas 77040
877-254-4729-Telephone
713-863-2382-Facsimile

For assistance outside the U.S.A. contact:
International Division
Goodman Manufacturing Company, L.P.
7401 Security Way
Houston, Texas 77040
713-861-2500-Telephone
713-863-2382-Facsimile

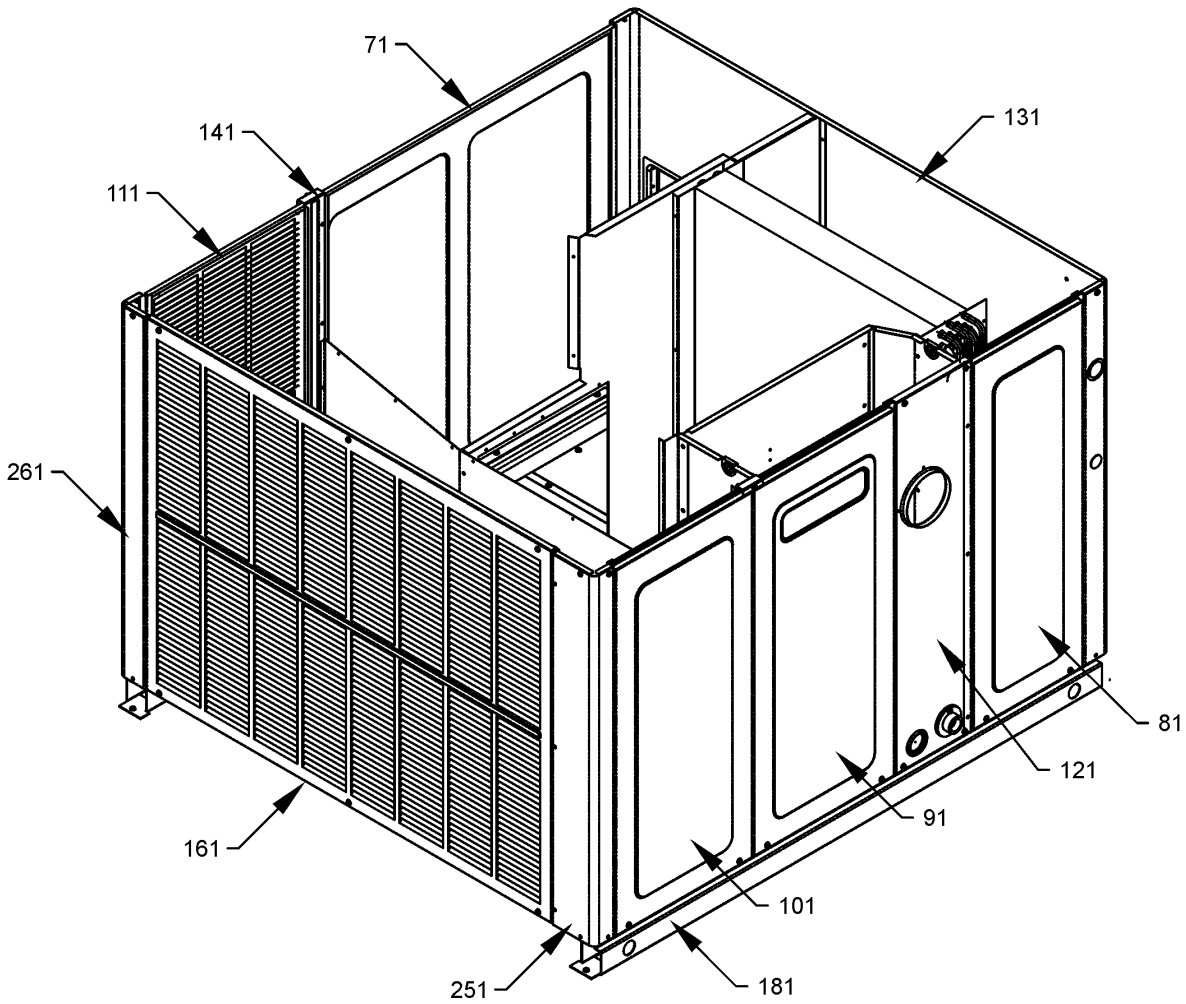
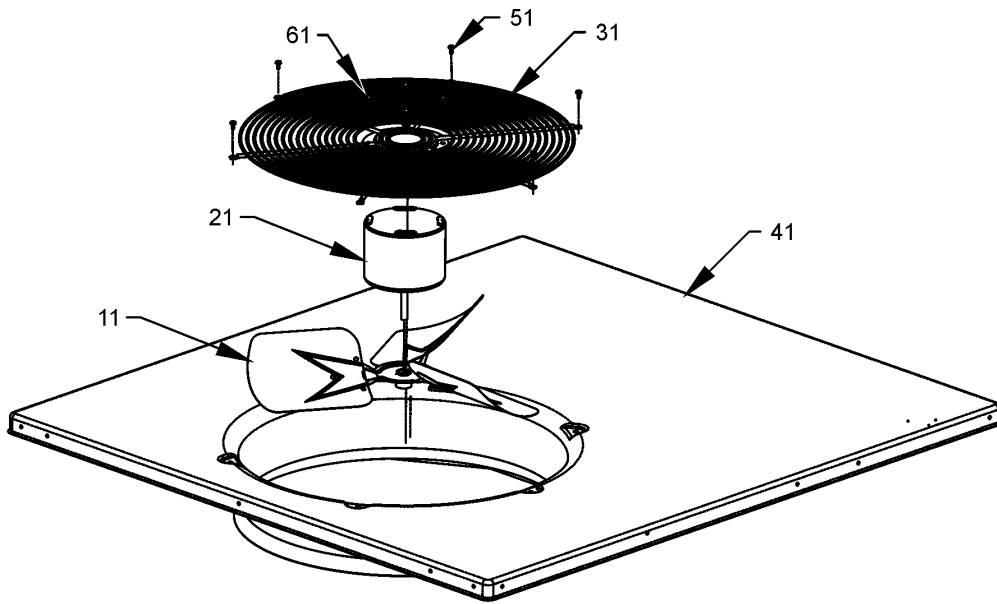
Functional Parts

Part

No: Description:

Part No:	Description:	Part No:	Description:
0130M00025S	24V RELAY (M10, M11, M12, M13, M14, M15, M25, M26, M27, M28, M29, M30)	10728344	LIMIT SWITCH (M8, M9, M10, M11, M12, M13, M14, M23, M24, M25, M26, M27, M28, M29)
0150G00003S	BLADE, FAN 26 SWEPT WING (M8, M9, M10, M11, M12, M13, M14, M15, M23, M24, M25, M26, M27, M28, M29, M30)	0130M00087	LOW PRESSURE SWITCH
D6723303S	BLOWER WHEEL (M5, M6, M7, M20, M21, M22)	10123532	MANUAL RESET LIMIT 350°F
D6723306S	BLOWER WHEEL (M8, M9, M23, M24)	0131M00191	Motor - 1 HP Programmed Selec (M13, M14, M15, M28, M29, M30)
B1368016S	BLOWER WHEEL 10 X 8 (M3, M4, M18, M19)	0131M00192	Motor - 1 HP Programmed Selec (M10, M11, M12, M25, M26, M27)
B1368058S	BLOWER WHEEL 10 X 8 (M1, M2, M16, M17)	0131M00061S	MOTOR, 1/4HP, 1SP, 8PL (M5, M6, M7, M20, M21, M22)
B1368000S	BLOWER WHEEL 11 X 10 (M10, M11, M12, M13, M14, M15, M25, M26, M27, M28, M29, M30)	0131G00007S	MOTOR, ID BLOWER
CAP050700440RTS	CAP, 5/70 MFD/440V/DUAL RD (M13, M14, M15, M28, M29, M30)	10716003	ORIFICE (QTY A/R)
CAP100000370VAS	CAPACITOR 10/370V [BLOWER] (M1, M2, M3, M4, M5, M6, M7, M8, M9, M16, M17, M18, M19, M20, M21, M22, M23, M24)	11112501S	PRESSURE SWITCH
CAP050350440RSS	CAPACITOR 5/35/440V (M1, M2, M16, M17)	B1141643	TRANSFORMER 208/230, 24V
CAP050400440RTS	CAPACITOR 5/40/440V (M3, M4, M18, M19)	0151M00013	VALVE, GAS (HW) SINGLE STAGE
CAP050450440RTS	CAPACITOR 5/45/440V (M5, M6, M7, M8, M9, M10, M11, M12, M20, M21, M22, M23, M24, M25, M26, M27)		
ZP20K5EPFV830	COMPRESSOR 20000, 208/230/60/1 (M1, M2, M16, M17)		
ZP25K5EPFV830	COMPRESSOR 25200, 208/230/60/1 (M3, M4, M18, M19)		
ZP31K5EPFV830	COMPRESSOR 31100, 208/230/60/1 (M5, M6, M7, M20, M21, M22)		
ZP34K5EPFV830	COMPRESSOR 34500, 208/230/60/1 (M8, M9, M23, M24)		
ZP39K5EPFV830	COMPRESSOR 39000, 208/230/60/1 (M10, M11, M12, M25, M26, M27)		
ZP51K5EPFV830	COMPRESSOR 51000, 208/230/60/1 (M13, M14, M15, M28, M29, M30)		
CONT2P025024VS	CONTACTOR 25 AMP, 2P, 24V (M1, M2, M3, M4, M5, M6, M7, M16, M17, M18, M19, M20, M21, M22)		
CONT2P030024VS	CONTACTOR 30 AMP, 2P, 24V (M8, M9, M10, M11, M12, M13, M14, M15, M23, M24, M25, M26, M27, M28, M29, M30)		
B1086775S	FAN BLADE (M3, M4, M18, M19)		
0150G00002S	FAN BLADE SWEPT-WING (M5, M6, M7, M20, M21, M22)		
B1086773	FAN BLADE, 22" DIA. (M1, M2, M16, M17)		
0130F00010	FLAME SENSOR		
0130M00074	HIGH PRESSURE SWITCH		
PCBAG123S	IGNITION BOARD, DSI INTEGRATED		
0130F00014S	IGNITOR		
10728342	LIMIT SWITCH (M1, M2, M3, M4, M16, M17, M18, M19)		
10728343	LIMIT SWITCH (M5, M6, M7, M15, M20, M21, M22, M30)		

Top Panel / Fan / Cabinet



Top Panel / Fan / Cabinet

Ref. Part No:	No:	Description:	Ref. Part No:	No:	Description:
<i>Image 1:</i>			<i>Image 1:</i>		
11	0150G00003S	BLADE, FAN 26 SWEPT WING (M8, M9, M10, M11, M12, M13, M14, M15, M23, M24, M25, M26, M27, M28, M29, M30)	141	0121G00209	SUPPORT POST 40" (M8, M9, M10, M11, M12, M13, M14, M15, M23, M24, M25, M26, M27, M28, M29, M30)
11	B1086775S	FAN BLADE (M3, M4, M18, M19)	161	20464401PLGS	LOUVERED PANEL, COND SIDE 32" (M1, M2, M3, M4, M5, M6, M7, M16, M17, M18, M19, M20, M21, M22)
11	0150G00002S	FAN BLADE SWEPT-WING (M5, M6, M7, M20, M21, M22)	161	20464402PLGS	LOUVERED PANEL, COND SIDE 40" (M8, M9, M10, M11, M12, M13, M14, M15, M23, M24, M25, M26, M27, M28, M29, M30)
11	B1086773	FAN BLADE, 22" DIA. (M1, M2, M16, M17)	181	0121G00290	BASE PAN RAIL
21	0131M00007PS	COND MOTOR 1/4 HP, 1 SP, 6 PL (M3, M4, M8, M9, M10, M11, M12, M13, M14, M15, M18, M19, M23, M24, M25, M26, M27, M28, M29, M30)	251	0121G00453DG	CORNER-POST COMP END, PNT (M1, M2, M3, M4, M5, M6, M7, M16, M17, M18, M19, M20, M21, M22)
21	0131M00009PS	COND MOTOR 1/6 HP, 1 SP, 8 PL (M1, M2, M16, M17)	251	0121G00455DG	CORNER-POST COMP END, PNT (M8, M9, M10, M11, M12, M13, M14, M15, M23, M24, M25, M26, M27, M28, M29, M30)
21	0131M00061S	MOTOR, 1/4HP, 1SP, 8PL (M5, M6, M7, M20, M21, M22)	261	0121G00454DG	CORNER-POST HPIN END, PNT (M1, M2, M3, M4, M5, M6, M7, M16, M17, M18, M19, M20, M21, M22)
31	0152G00002S	GRILLE-FAN	261	0121G00456DG	CORNER-POST HPIN END, PNT (M8, M9, M10, M11, M12, M13, M14, M15, M23, M24, M25, M26, M27, M28, M29, M30)
41	0121G00156	PNL, TOP	NS	0270G00070S	FLUE HOOD ASSY
51	M0221817	SMALL SCREW (QTY 6)	NS	0121G00190S	FLUE HOOD-LOWER
61	0163M00006P	ACORN NUT 5/16 HEX BLACK (QTY 4)	NS	B1910012	GAS LINE GROMMET
71	20464801PDG	BLOWER DOOR 32" (M1, M2, M3, M4, M5, M6, M7, M16, M17, M18, M19, M20, M21, M22)	NS	0270G00070S	HOOD, FLUE (QTY 2)
71	20464806PDG	BLOWER DOOR 40" (M8, M9, M10, M11, M12, M13, M14, M15, M23, M24, M25, M26, M27, M28, M29, M30)	NS	17788000083F	PVC CONDUIT 8.25"
81	20464802PDGS	DOOR-EVAP/CONTROL 32 W/PAINT (M1, M2, M3, M4, M5, M6, M7, M16, M17, M18, M19, M20, M21, M22)	NS	20472601	SCREEN-FLUE HOOD
81	20464807PDGS	EVAP/CONTROL DOOR 40" (M8, M9, M10, M11, M12, M13, M14, M15, M23, M24, M25, M26, M27, M28, M29, M30)			
91	0121G00179DGS	HEAT EXCHANGER DOOR 32" (M1, M2, M3, M4, M5, M6, M7, M16, M17, M18, M19, M20, M21, M22)			
91	0121G00181DGS	HEAT EXCHANGER DOOR 40" (M8, M9, M10, M11, M12, M13, M14, M15, M23, M24, M25, M26, M27, M28, M29, M30)			
101	20464804PDGS	DOOR-COMPRESSOR 32 W/PAINT (M1, M2, M3, M4, M5, M6, M7, M16, M17, M18, M19, M20, M21, M22)			
101	20464809PDGS	DOOR-COMPRESSOR 40 W/PAINT (M8, M9, M10, M11, M12, M13, M14, M15, M23, M24, M25, M26, M27, M28, M29, M30)			
111	0121G00465LG	PANEL-COND SIDE 32, PNT (M1, M2, M3, M4, M5, M6, M7)			
111	0121G00467LG	PANEL-COND SIDE 40, PNT (M8, M9, M10, M11, M12, M13, M14, M15)			
121	20466101PDGS	UTILITY PANEL 32" (M1, M2, M3, M4, M5, M6, M7, M16, M17, M18, M19, M20, M21, M22)			
121	20466102PDGS	UTILITY PANEL 40" (M8, M9, M10, M11, M12, M13, M14, M15, M23, M24, M25, M26, M27, M28, M29, M30)			
131	0121G00442DGS	PNL, DUCT, GAS 32.5" (M1, M2, M3, M4, M5, M6, M7, M16, M17, M18, M19, M20, M21, M22)			
131	0121G00240DGS	PNL, DUCT, GAS 40" (M8, M9, M10, M11, M12, M13, M14, M15, M23, M24, M25, M26, M27, M28, M29, M30)			
141	0121G00208	SUPPORT POST 32" (M1, M2, M3, M4, M5, M6, M7, M16, M17, M18, M19, M20, M21, M22)			

Top Panel / Fan / Cabinet

Ref. Part

No: No:

Description:

Ref. Part

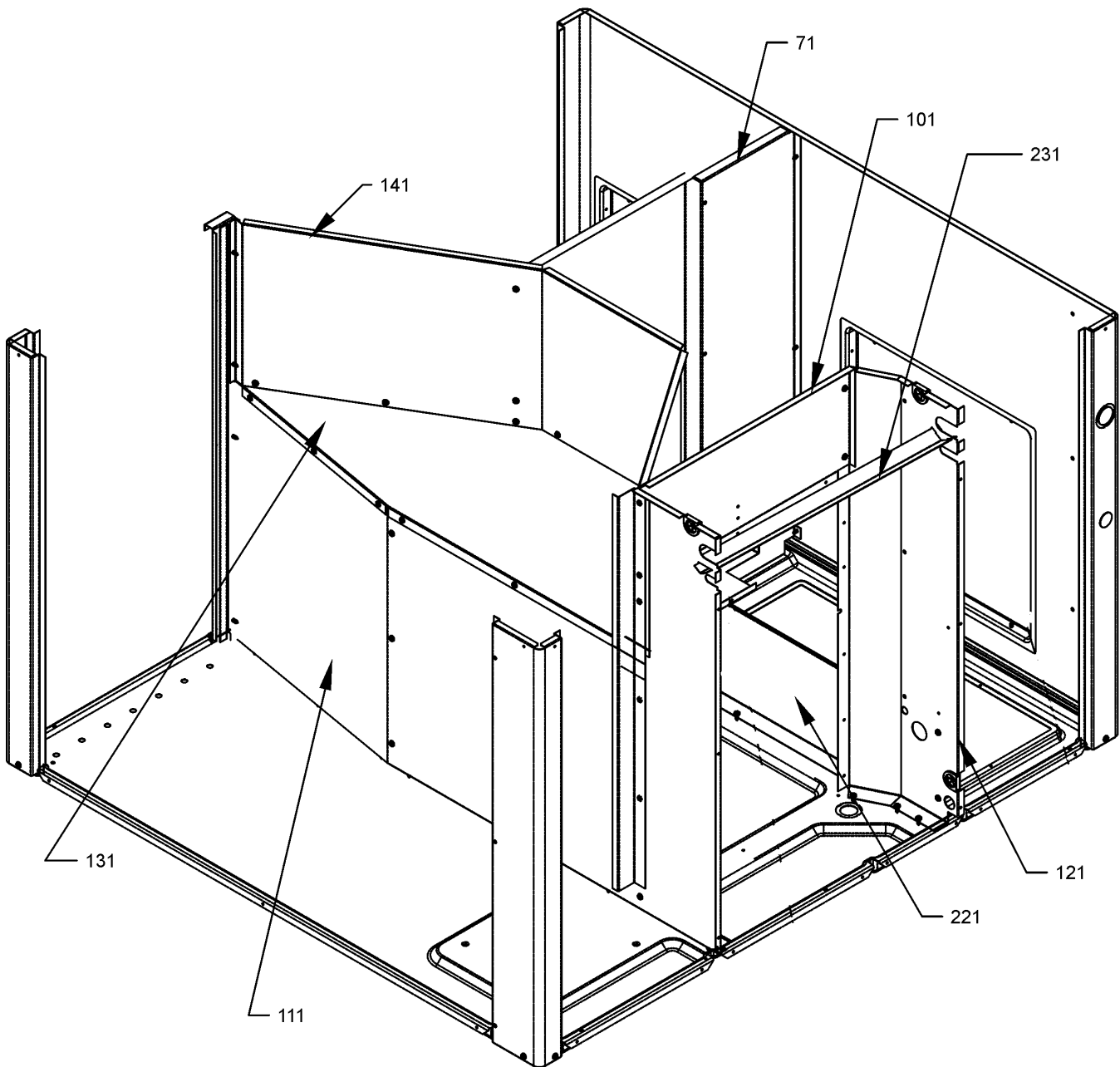
No: No:

Description:

Expanded Model Nomenclature

M1 - APG1324045M41BA
M2 - APG1324070M41BA
M3 - APG1330045M41BA
M4 - APG1330070M41BA
M5 - APG1336045M41BA
M6 - APG1336070M41BA
M7 - APG1336090M41BA
M8 - APG1342070M41BA
M9 - APG1342090M41BA
M10 - APG1348070M41BA
M11 - APG1348090M41BA
M12 - APG1348115M41BA
M13 - APG1360090M41BA
M14 - APG1360115M41BA
M15 - APG1360140M41BA
M16 - GPG1324045M41BA
M17 - GPG1324070M41BA
M18 - GPG1330045M41BA
M19 - GPG1330070M41BA
M20 - GPG1336045M41BA
M21 - GPG1336070M41BA
M22 - GPG1336090M41BA
M23 - GPG1342070M41BA
M24 - GPG1342090M41BA
M25 - GPG1348070M41BA
M26 - GPG1348090M41BA
M27 - GPG1348115M41BA
M28 - GPG1360090M41BA
M29 - GPG1360115M41BA
M30 - GPG1360140M41BA

Partition Assembly



Partition Assembly

**Ref. Part
No: No:**

Description:

**Ref. Part
No: No:**

Description:

Image 1:

71	20465305	BLOWER DIVIDER (M1, M2, M3, M4, M16, M17, M18, M19)
71	20465306	BLOWER DIVIDER (M8, M9, M23, M24)
71	20465304	BLOWER DIVIDER 32" 10 X 9 (M5, M6, M7, M20, M21, M22)
71	0121G00177	BLOWER DIVIDER 38" (M10, M11, M12, M13, M14, M15, M25, M26, M27, M28, M29, M30)
101	20465201	FILLER PANEL, HEAT EXCHANGER 32" (M1, M2, M3, M4, M5, M6, M7, M16, M17, M18, M19, M20, M21, M22)
111	0121G00360	PNL, PTN, 32.5" (M1, M2, M3, M4, M5, M6, M7, M16, M17, M18, M19, M20, M21, M22)
111	0121G00361	PNL, PTN, 40" (M8, M9, M10, M11, M12, M13, M14, M15, M23, M24, M25, M26, M27, M28, M29, M30)
121	20465501	EVAP/HEAT EXCHANGER DIVIDER 32" (M1, M2, M3, M4, M5, M6, M7, M16, M17, M18, M19, M20, M21, M22)
121	20465502	EVAP/HEAT EXCHANGER DIVIDER 38" (M8, M9, M10, M11, M12, M13, M14, M15, M23, M24, M25, M26, M27, M28, M29, M30)
131	20465701	FAN PARTITION SHELF
141	20465801	FAN SURROUND 32" (M1, M2, M3, M4, M5, M6, M7, M16, M17, M18, M19, M20, M21, M22)
141	20465802	FAN SURROUND 40" (M8, M9, M10, M11, M12, M13, M14, M15, M23, M24, M25, M26, M27, M28, M29, M30)
221	20463802	EVAP/BASEPAN BLOCK 32" (M1, M2, M3, M4, M5, M6, M7, M16, M17, M18, M19, M20, M21, M22)
221	20463801	EVAP/BASEPAN BLOCK 40" (M8, M9, M10, M11, M12, M13, M14, M15, M23, M24, M25, M26, M27, M28, M29, M30)
231	20496801	DRAIN CHANNEL, SUCTION TUBE

Expanded Model Nomenclature

M1 - APG1324045M41BA
M2 - APG1324070M41BA
M3 - APG1330045M41BA
M4 - APG1330070M41BA
M5 - APG1336045M41BA
M6 - APG1336070M41BA
M7 - APG1336090M41BA
M8 - APG1342070M41BA
M9 - APG1342090M41BA
M10 - APG1348070M41BA
M11 - APG1348090M41BA
M12 - APG1348115M41BA
M13 - APG1360090M41BA
M14 - APG1360115M41BA
M15 - APG1360140M41BA
M16 - GPG1324045M41BA
M17 - GPG1324070M41BA
M18 - GPG1330045M41BA
M19 - GPG1330070M41BA
M20 - GPG1336045M41BA
M21 - GPG1336070M41BA
M22 - GPG1336090M41BA
M23 - GPG1342070M41BA
M24 - GPG1342090M41BA
M25 - GPG1348070M41BA
M26 - GPG1348090M41BA
M27 - GPG1348115M41BA
M28 - GPG1360090M41BA
M29 - GPG1360115M41BA
M30 - GPG1360140M41BA

Basepan / Blower Assembly

Image 1

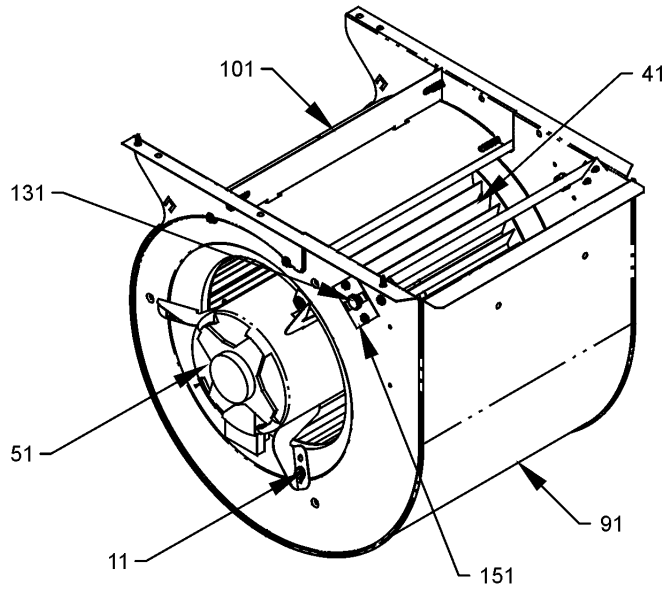
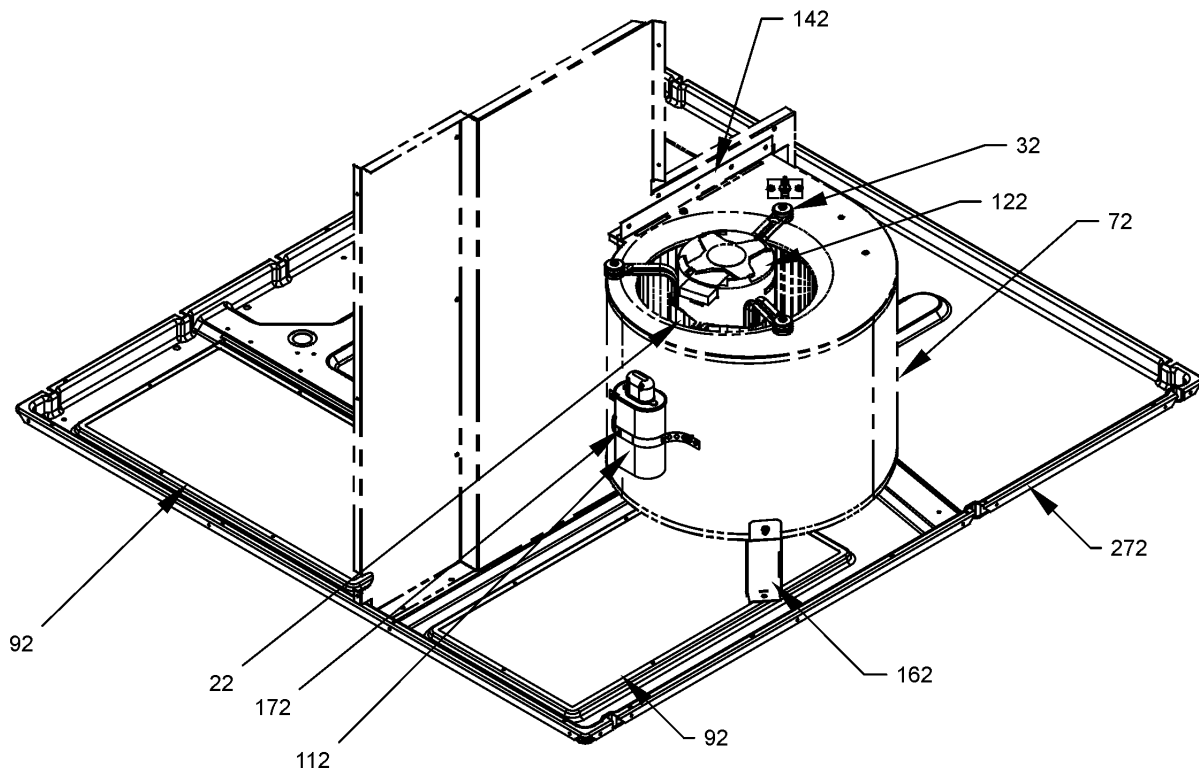


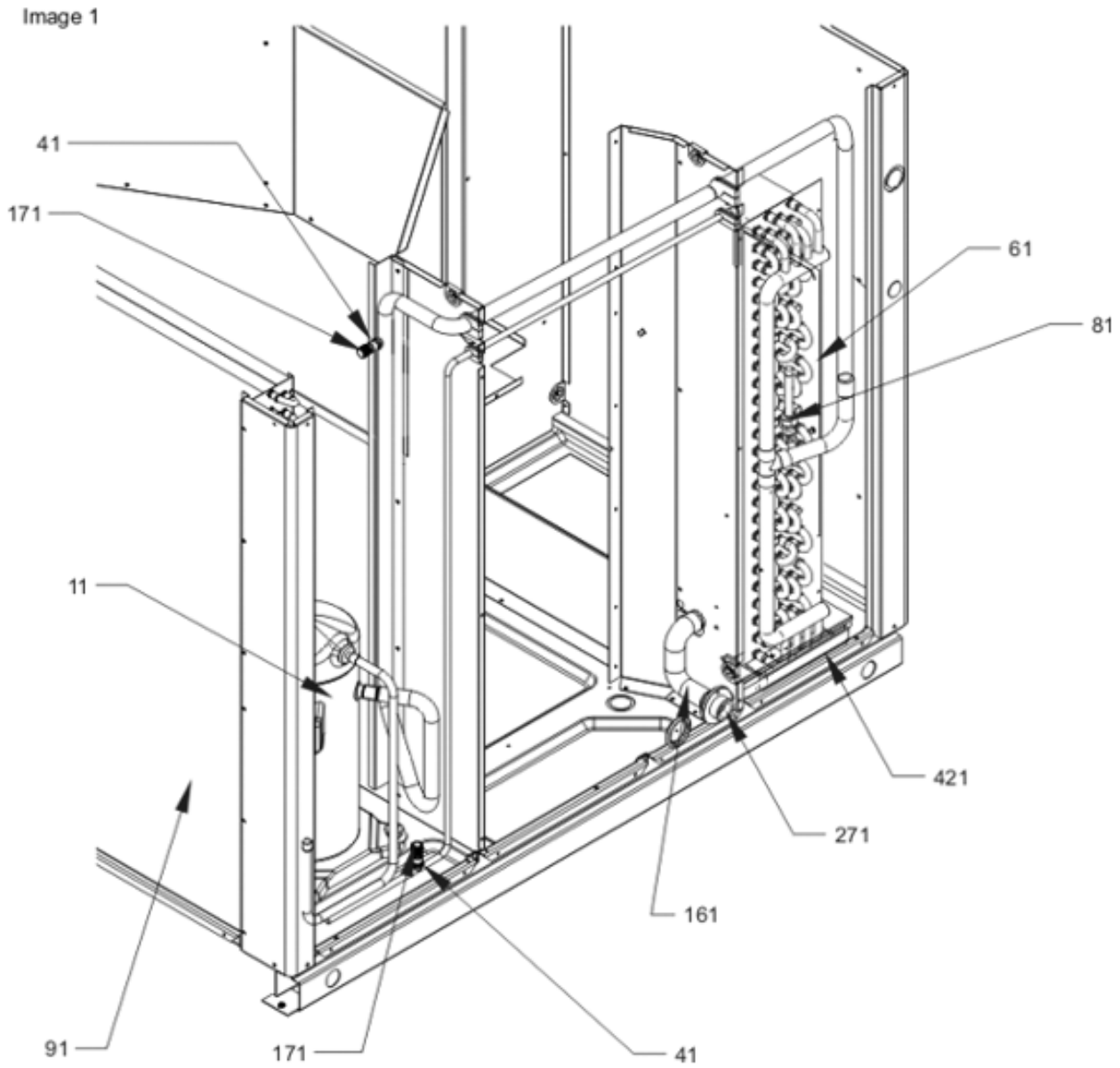
Image 2



Basepan / Blower Assembly

Ref. Part No: No:	Description:	Ref. Part No: No:	Description:		
<i>Image 1:</i>		<i>Image 2:</i>			
11	M0250558 TC SCREW (M1, M2, M3, M4, M5, M6, M7, M8, M9, M16, M17, M18, M19, M20, M21, M22, M23, M24)	172	20520901 CAPACITOR STRAP (M1, M2, M3, M4, M5, M6, M7, M8, M9, M16, M17, M18, M19, M20, M21, M22, M23, M24)		
11	M0250565 TC SCREW 1.25" (M10, M11, M12, M13, M14, M15, M25, M26, M27, M28, M29, M30)	272	0121G00444 BASEPAN, PACKAGE		
41	D6723303S BLOWER WHEEL (M5, M6, M7, M20, M21, M22)	NS	B821700 CAPACITOR BOOT (M1, M2, M3, M4, M5, M6, M7, M8, M9, M16, M17, M18, M19, M20, M21, M22, M23, M24)		
41	D6723306S BLOWER WHEEL (M8, M9, M23, M24)	NS	B1393800 LOCKNUT, NYLON, INSERT 1/4, 20 (M10, M11, M12, M13, M14, M15, M25, M26, M27, M28, M29, M30)		
41	B1368016S BLOWER WHEEL 10 X 8 (M3, M4, M18, M19)	NS	B1393553 SCREW,HWH,14X5/8,A,BZ,SLOT (M10, M11, M12, M13, M14, M15, M25, M26, M27, M28, M29, M30)		
41	B1368058S BLOWER WHEEL 10 X 8 (M1, M2, M16, M17)	Expanded Model Nomenclature			
41	B1368000S BLOWER WHEEL 11 X 10 (M10, M11, M12, M13, M14, M15, M25, M26, M27, M28, M29, M30)	<div style="border: 1px solid black; padding: 5px;"> M1 - APG1324045M41BA M2 - APG1324070M41BA M3 - APG1330045M41BA M4 - APG1330070M41BA M5 - APG1336045M41BA M6 - APG1336070M41BA M7 - APG1336090M41BA M8 - APG1342070M41BA M9 - APG1342090M41BA M10 - APG1348070M41BA M11 - APG1348090M41BA M12 - APG1348115M41BA M13 - APG1360090M41BA M14 - APG1360115M41BA M15 - APG1360140M41BA M16 - GPG1324045M41BA M17 - GPG1324070M41BA M18 - GPG1330045M41BA M19 - GPG1330070M41BA M20 - GPG1336045M41BA M21 - GPG1336070M41BA M22 - GPG1336090M41BA M23 - GPG1342070M41BA M24 - GPG1342090M41BA M25 - GPG1348070M41BA M26 - GPG1348090M41BA M27 - GPG1348115M41BA M28 - GPG1360090M41BA M29 - GPG1360115M41BA M30 - GPG1360140M41BA </div>			
51	11091202S BLOWER MOTOR 1/3 HP, 3 SP, 6 PL (M3, M4, M18, M19)				
51	11091203S BLOWER MOTOR 1/3 HP, 3 SP, 6 PL (M5, M6, M7, M8, M9, M20, M21, M22, M23, M24)				
51	11091207S BLOWER MOTOR 1/4 HP, 3 SP, 8 PL (M1, M2, M16, M17)				
91	0271F00057 BLOWER HOUSING ASSY 10 X 10 (M8, M9, M23, M24)				
91	0271F00001PS BLOWER HOUSING ASSY 10 X 8 (M1, M2, M16, M17)				
91	0271G00025 BLOWER HOUSING ASSY 10 X 8 (M3, M4, M18, M19)				
91	0271G00024S BLOWER HOUSING ASSY 10 X 9 (M5, M6, M7, M20, M21, M22)				
101	764742 BLOWER BLOCK-OFF (M5, M6, M7, M20, M21, M22)				
101	764741F BLOWER BLOCK-OFF 10 X 10 (M8, M9, M23, M24)				
101	764740F BLOWER BLOCK-OFF 10 X 8 (M1, M2, M3, M4, M16, M17, M18, M19)				
101	1864703F BLOWER CUT-OFF (M10, M11, M12, M13, M14, M15, M25, M26, M27, M28, M29, M30)				
131	20269903 AUXILIARY LIMIT, AUTO RESET				
151	2509503F AUXILIARY LIMIT BRACKET				
NS	B1392143 GROMMET, 26TAL F/TORSIN FLEX (M1, M2, M3, M4, M8, M9, M16, M17, M18, M19, M23, M24)				
<i>Image 2:</i>					
22	0121M00038 MOTOR MOUNT BAND (M10, M11, M12, M13, M14, M15, M25, M26, M27, M28, M29, M30)				
32	B1376857 MOTOR MOUNT ARM (M10, M11, M12, M13, M14, M15, M25, M26, M27, M28, M29, M30)				
72	2539309S BLOWER HOUSING ASSY 11 X 10 (M10, M11, M12, M13, M14, M15, M25, M26, M27, M28, M29, M30)				
92	0121G00148 SINGLE COVER, DOWN DISCHARGE (QTY 2)				
112	CAP100000370VAS CAPACITOR 10/370V [BLOWER] (M1, M2, M3, M4, M5, M6, M7, M8, M9, M16, M17, M18, M19, M20, M21, M22, M23, M24)				
122	0131M00191 Motor - 1 HP Programmed Selec (M13, M14, M15, M28, M29, M30)				
122	0131M00192 Motor - 1 HP Programmed Selec (M10, M11, M12, M25, M26, M27)				
142	20463701 11 X 10 BLOWER MOUNTING (M10, M11, M12, M13, M14, M15, M25, M26, M27, M28, M29, M30)				

Compressor / Tubing Assembly



Compressor / Tubing Assembly

**Ref. Part
No: No:**

Description:

**Ref. Part
No: No:**

Description:

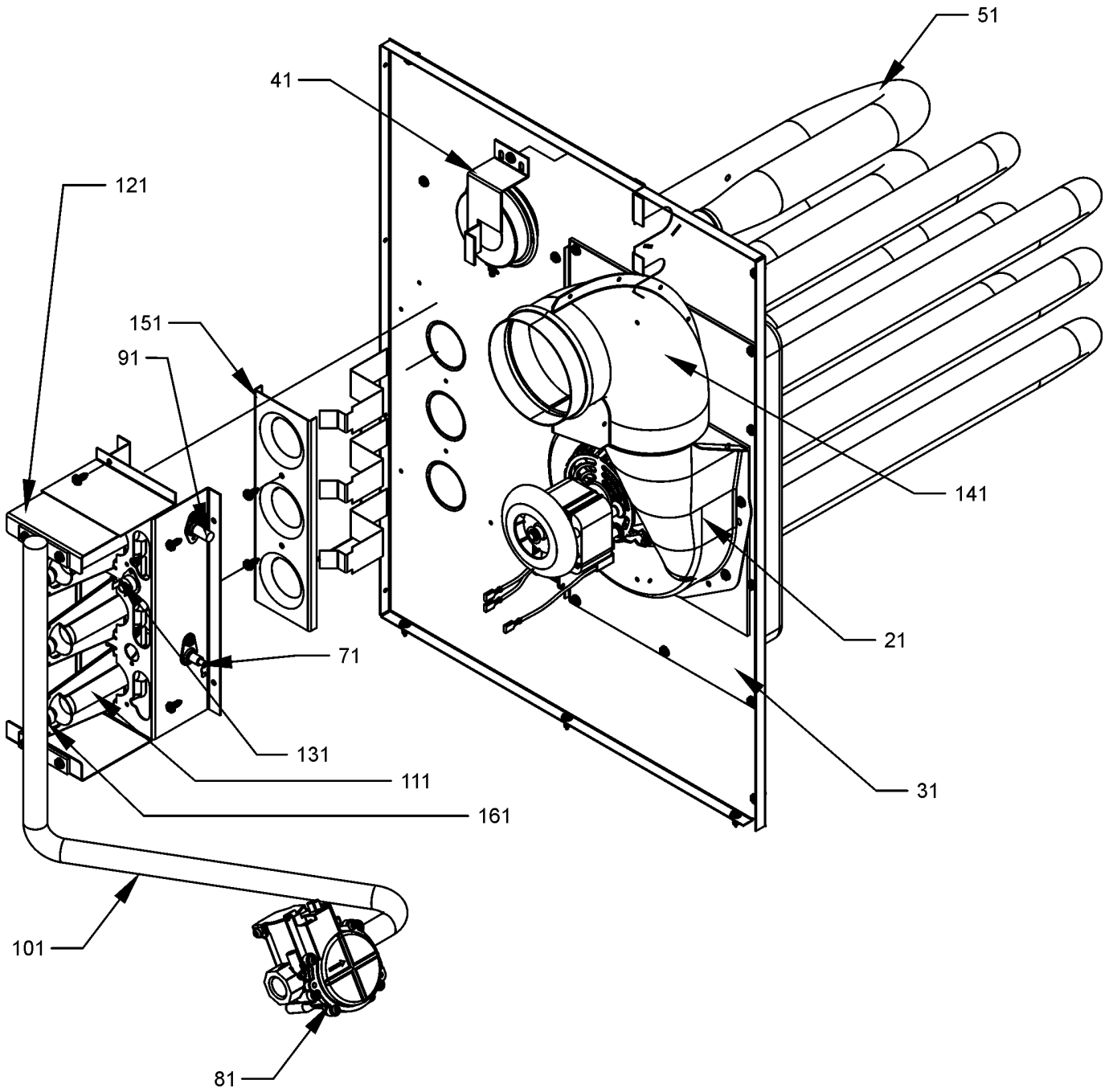
Image 1:

11	ZP20K5EPFV830	COMPRESSOR 20000, 208/230/60/1 (M1, M2, M16, M17)
11	ZP25K5EPFV830	COMPRESSOR 25200, 208/230/60/1 (M3, M4, M18, M19)
11	ZP31K5EPFV830	COMPRESSOR 31100, 208/230/60/1 (M5, M6, M7, M20, M21, M22)
11	ZP34K5EPFV830	COMPRESSOR 34500, 208/230/60/1 (M8, M9, M23, M24)
11	ZP39K5EPFV830	COMPRESSOR 39000, 208/230/60/1 (M10, M11, M12, M25, M26, M27)
11	ZP51K5EPFV830	COMPRESSOR 51000, 208/230/60/1 (M13, M14, M15, M28, M29, M30)
41	B1373315	ACCESS FITTING (QTY 2)
61	0202G00359	EVAP COIL ASSY (M5, M6, M7, M20, M21, M22)
61	0202G00370	EVAP COIL ASSY (M1, M2, M16, M17)
61	0202G00372	EVAP COIL ASSY (M13, M14, M15, M28, M29, M30)
61	0202G00376	EVAP COIL ASSY (M3, M4, M18, M19)
61	0202G00378	EVAP COIL ASSY (M8, M9, M23, M24)
61	0202G00379	EVAP COIL ASSY (M10, M11, M12, M25, M26, M27)
81	0162M00116S	FLOWRATOR .053 (M1, M2, M16, M17)
81	0162M00118	FLOWRATOR .072 (M5, M6, M7, M8, M9, M20, M21, M22, M23, M24)
81	0162M00119	FLOWRATOR .087 (M13, M14, M15, M28, M29, M30)
91	0201G00247	CONDENSER COIL ASSY (M1, M2, M3, M4, M16, M17, M18, M19)
91	0201G00249	CONDENSER COIL ASSY (M5, M6, M7, M10, M11, M12, M20, M21, M22, M25, M26, M27)
91	0201G00252	CONDENSER COIL ASSY (M13, M14, M15, M28, M29, M30)
91	0201G00254	CONDENSER COIL ASSY (M8, M9, M23, M24)
161	20498302	DRAIN TUBE 32" (M1, M2, M3, M4, M16, M17, M18, M19)
161	20498301	DRAIN TUBE 40" (M5, M6, M7, M8, M9, M10, M11, M12, M13, M14, M15, M20, M21, M22, M23, M24, M25, M26, M27, M28, M29, M30)
171	B9102097	CAP W/O-RING (QTY 2)
271	20513001	EVAP DRAIN FITTING
421	20464901DF	DRAIN PAN-EVAP COIL
NS	B1339533	COMPRESSOR GROMMET (QTY 4)
NS	0159G00002	COMPRESSOR SCROLL HARNESS (M1, M2, M3, M4, M5, M6, M7, M16, M17, M18, M19, M20, M21, M22)
NS	0159G00006	COMPRESSOR SCROLL HARNESS (M8, M9, M10, M11, M12, M13, M14, M15, M23, M24, M25, M26, M27, M28, M29, M30)
NS	0130M00074	HIGH PRESSURE SWITCH
NS	B1810011	HOSE CLAMP 1.25 (QTY 2)
NS	0130M00087	LOW PRESSURE SWITCH
NS	B1219225	SINGLE-FLOW FILTER DRIER, STEEL
NS	M0221641	TF SHOULDER SCREW (QTY 4)

Expanded Model Nomenclature

M1 - APG1324045M41BA
M2 - APG1324070M41BA
M3 - APG1330045M41BA
M4 - APG1330070M41BA
M5 - APG1336045M41BA
M6 - APG1336070M41BA
M7 - APG1336090M41BA
M8 - APG1342070M41BA
M9 - APG1342090M41BA
M10 - APG1348070M41BA
M11 - APG1348090M41BA
M12 - APG1348115M41BA
M13 - APG1360090M41BA
M14 - APG1360115M41BA
M15 - APG1360140M41BA
M16 - GPG1324045M41BA
M17 - GPG1324070M41BA
M18 - GPG1330045M41BA
M19 - GPG1330070M41BA
M20 - GPG1336045M41BA
M21 - GPG1336070M41BA
M22 - GPG1336090M41BA
M23 - GPG1342070M41BA
M24 - GPG1342090M41BA
M25 - GPG1348070M41BA
M26 - GPG1348090M41BA
M27 - GPG1348115M41BA
M28 - GPG1360090M41BA
M29 - GPG1360115M41BA
M30 - GPG1360140M41BA

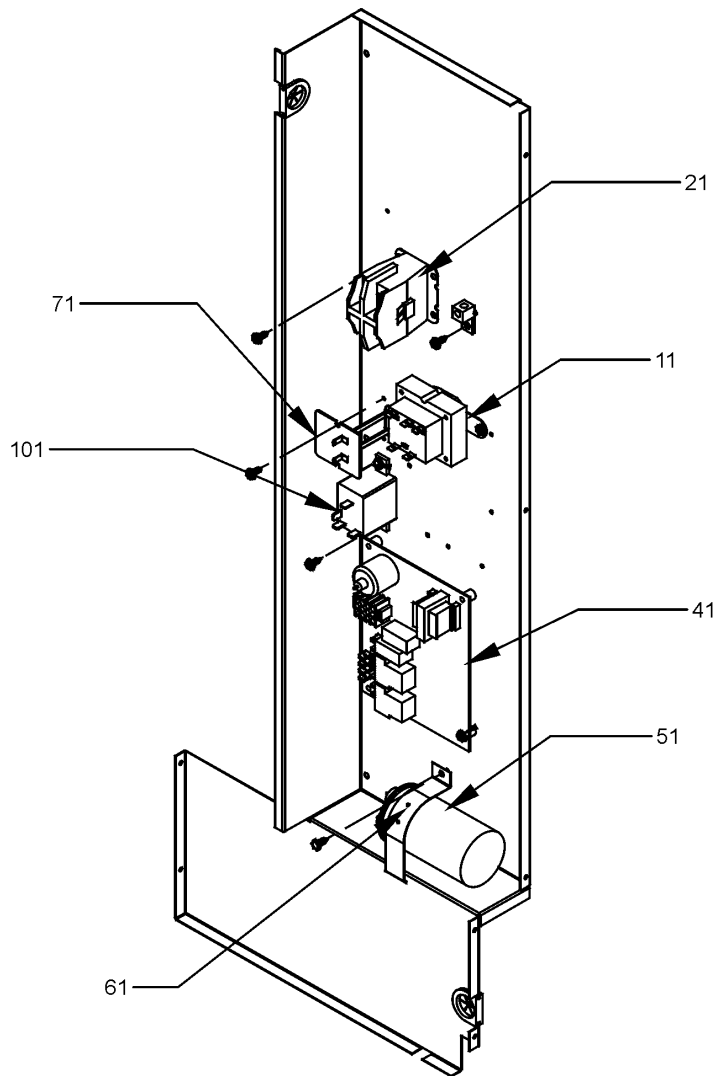
Heat Exchanger / Manifold / Gas Valve



Heat Exchanger / Manifold / Gas Valve

Ref. Part No:	No:	Description:	Ref. Part No:	No:	Description:
<i>Image 1:</i>			<i>Image 1:</i>		
21	0131G00007S	MOTOR, ID BLOWER	141	20484402W	FLUE ELBOW RIGHT
31	0121G00433	PLATE-ID BLWR LRG BRNR (M8, M10, M23, M25)	151	11072201	ORIFICE SHIELD (M1, M3, M5, M16, M18, M20)
31	0121G00430	PLATE-ID BLWR LRG 4 BRNR (M9, M11, M13, M24, M26, M28)	151	11072202	ORIFICE SHIELD (M2, M4, M6, M8, M10, M17, M19, M21, M23, M25)
31	0121G00431	PLATE-ID BLWR LRG 5 BRNR (M12, M14, M27, M29)	151	11072203	ORIFICE SHIELD (M7, M9, M11, M13, M22, M24, M26, M28)
31	0121G00432	PLATE-ID BLWR LRG 6 BRNR (M15, M30)	151	11072204	ORIFICE SHIELD (M12, M14, M27, M29)
31	0121G00427	PLATE-ID BLWR SML 2 BRNR (M1, M3, M5, M16, M18, M20)	151	11072205	ORIFICE SHIELD (M15, M30)
31	0121G00428	PLATE-ID BLWR SML 3 BRNR (M2, M4, M6, M17, M19, M21)	161	10716003	ORIFICE (QTY A/R)
31	0121G00429	PLATE-ID BLWR SML 4 BRNR (M7, M22)	NS	0154G00003	GASKET, ID BLOWER & PLATE (M1, M2, M3, M4, M5, M6, M7, M16, M17, M18, M19, M20, M21, M22)
41	11112501S	PRESSURE SWITCH	NS	0154G00004	GASKET, ID BLOWER & PLATE (M8, M9, M10, M11, M12, M13, M14, M15, M23, M24, M25, M26, M27, M28, M29, M30)
51	20490703	ASSY, HEAT EXCHANGER TUBE (M22)	Expanded Model Nomenclature M1 - APG1324045M41BA M2 - APG1324070M41BA M3 - APG1330045M41BA M4 - APG1330070M41BA M5 - APG1336045M41BA M6 - APG1336070M41BA M7 - APG1336090M41BA M8 - APG1342070M41BA M9 - APG1342090M41BA M10 - APG1348070M41BA M11 - APG1348090M41BA M12 - APG1348115M41BA M13 - APG1360090M41BA M14 - APG1360115M41BA M15 - APG1360140M41BA M16 - GPG1324045M41BA M17 - GPG1324070M41BA M18 - GPG1330045M41BA M19 - GPG1330070M41BA M20 - GPG1336045M41BA M21 - GPG1336070M41BA M22 - GPG1336090M41BA M23 - GPG1342070M41BA M24 - GPG1342090M41BA M25 - GPG1348070M41BA M26 - GPG1348090M41BA M27 - GPG1348115M41BA M28 - GPG1360090M41BA M29 - GPG1360115M41BA M30 - GPG1360140M41BA		
51	20490704	ASSY, HEAT EXCHANGER TUBE (M24, M26, M28)			
51	20490705	ASSY, HEAT EXCHANGER TUBE (M27, M29)			
51	20490706	ASSY, HEAT EXCHANGER TUBE (M30)			
51	20490707	ASSY, HEAT EXCHANGER TUBE (M17, M19, M21)			
51	20490710	ASSY, HEAT EXCHANGER TUBE (M2, M4, M6)			
51	20490711	ASSY, HEAT EXCHANGER TUBE (M7)			
51	20490712	ASSY, HEAT EXCHANGER TUBE (M9, M11, M13)			
51	20490713	ASSY, HEAT EXCHANGER TUBE (M12, M14)			
51	20490714	ASSY, HEAT EXCHANGER TUBE (M16, M18, M20)			
51	20490715	ASSY, HEAT EXCHANGER TUBE (M1, M5)			
51	20490716	ASSY, HEAT EXCHANGER TUBE (M23, M25)			
51	20490717	ASSY, HEAT EXCHANGER TUBE (M8, M10)			
51	20490718	ASSY, HEAT EXCHANGER TUBE (M15)			
71	0130F00014S	IGNITOR			
81	0151M00013	VALVE, GAS (HW) SINGLE STAGE			
91	0130F00010	FLAME SENSOR			
101	0121M00035P	MANIFOLD - 2 BRNR (M1, M3, M5, M16, M18, M20)			
101	0121M00036P	MANIFOLD - 3 BRNR (M8, M10, M23, M25)			
101	20493103	MANIFOLD - 3 BRNR (M2, M4, M6, M17, M19, M21)			
101	20493104	MANIFOLD - 4 BRNR (M7, M22)			
101	20493105	MANIFOLD - 4 BRNR (M9, M11, M13, M24, M26, M28)			
101	20493106	MANIFOLD - 5 BRNR (M12, M14, M27, M29)			
101	20493107	MANIFOLD - 6 BRNR (M15, M30)			
121	20190410	BURNER BRACKET 2B (M1, M3, M5, M16, M18, M20)			
121	20190411	BURNER BRACKET 3B (M2, M4, M6, M8, M10, M17, M19, M21, M23, M25)			
121	20190412	BURNER BRACKET 4B (M7, M9, M11, M13, M22, M24, M26, M28)			
121	20190413	BURNER BRACKET 5B (M12, M14, M27, M29)			
121	0121F00145	BURNER BRACKET 6B (M15, M30)			
131	10123532	MANUAL RESET LIMIT 350°F			
141	20484401W	FLUE ELBOW LEFT			

Control Panel



Control Panel

Ref. Part

No: No:

Description:

Ref. Part

No: No:

Description:

Image 1:

11	B1141643	TRANSFORMER 208/230, 24V
21	CONT2P025024VS	CONTACTOR 25 AMP, 2P, 24V (M1, M2, M3, M4, M5, M6, M7, M16, M17, M18, M19, M20, M21, M22)
21	CONT2P030024VS	CONTACTOR 30 AMP, 2P, 24V (M8, M9, M10, M11, M12, M13, M14, M15, M23, M24, M25, M26, M27, M28, M29, M30)
41	PCBAG123S	IGNITION BOARD, DSI INTEGRATED
51	CAP050700440RTS	CAP.5/70 MFD/440V/DUAL RD (M13, M14, M15, M28, M29, M30)
51	CAP050350440RSS	CAPACITOR 5/35/440V (M1, M2, M16, M17)
51	CAP050400440RTS	CAPACITOR 5/40/440V (M3, M4, M18, M19)
51	CAP050450440RTS	CAPACITOR 5/45/440V (M5, M6, M7, M8, M9, M10, M11, M12, M20, M21, M22, M23, M24, M25, M26, M27)
61	20520901	CAPACITOR STRAP
71	10728342	LIMIT SWITCH (M1, M2, M3, M4, M16, M17, M18, M19)
71	10728343	LIMIT SWITCH (M5, M6, M7, M15, M20, M21, M22, M30)
71	10728344	LIMIT SWITCH (M8, M9, M10, M11, M12, M13, M14, M23, M24, M25, M26, M27, M28, M29)
101	0130M00025S	24V RELAY (M10, M11, M12, M13, M14, M15, M25, M26, M27, M28, M29, M30)
NS	0259G00091	ASSY, FEMALE PLUG
NS	0259G00009	BLOWER HARNESS (M1, M2, M3, M4, M5, M6, M7, M8, M9, M16, M17, M18, M19, M20, M21, M22, M23, M24)
NS	0259G00023	HARNESS, BLOWER (M10, M11, M12, M13, M14, M15, M25, M26, M27, M28, M29, M30)
NS	0259G00081	HARNESS-CONTROL (M8, M9, M23, M24)
NS	0259G00083	HARNESS-CONTROL (M10, M11, M12, M25, M26, M27)
NS	0259G00084	HARNESS-CONTROL (M13, M14, M15, M28, M29, M30)
NS	0259G00086	HARNESS-CONTROL (M5, M6, M7, M20, M21, M22)
NS	0259G00118	HARNESS-CONTROL, FAN (M2, M3, M4, M17, M18, M19)
NS	0259G00119	HARNESS-CONTROL, FAN (M1, M16)
NS	0259G00113	PLUG ASSY, 12 PIN MALE (M8, M9, M10, M11, M12, M13, M14, M15, M23, M24, M25, M26, M27, M28, M29, M30)
NS	0259G00116	PLUG ASSY, 12 PIN MALE (M1, M2, M3, M4, M5, M6, M7, M16, M17, M18, M19, M20, M21, M22)

Expanded Model Nomenclature

M1 - APG1324045M41BA
M2 - APG1324070M41BA
M3 - APG1330045M41BA
M4 - APG1330070M41BA
M5 - APG1336045M41BA
M6 - APG1336070M41BA
M7 - APG1336090M41BA
M8 - APG1342070M41BA
M9 - APG1342090M41BA
M10 - APG1348070M41BA
M11 - APG1348090M41BA
M12 - APG1348115M41BA
M13 - APG1360090M41BA
M14 - APG1360115M41BA
M15 - APG1360140M41BA
M16 - GPG1324045M41BA
M17 - GPG1324070M41BA
M18 - GPG1330045M41BA
M19 - GPG1330070M41BA
M20 - GPG1336045M41BA
M21 - GPG1336070M41BA
M22 - GPG1336090M41BA
M23 - GPG1342070M41BA
M24 - GPG1342090M41BA
M25 - GPG1348070M41BA
M26 - GPG1348090M41BA
M27 - GPG1348115M41BA
M28 - GPG1360090M41BA
M29 - GPG1360115M41BA
M30 - GPG1360140M41BA