

77FLF-100 Series

Full Port Threaded End Brass Ball Valve

LEAD FREE



Job Name:	
Job Location:	
Engineer:	
Contractor:	
Tag:	
PO#:	
Rep:	
Wholesale Dist.:	

DESCRIPTION

The Apollo 77FLF-100 Series is a lead free, full port forged brass ball valve suitable for a wide range of plumbing and heating applications, including potable water. These NPT threaded, 2-piece valves combine reliable operation with maximum economy. Valves include most pertinent agency approvals. Proudly Made in the USA.

FEATURES

- Lead Free* Materials and Approvals
- Heavy Pattern Forged Design
- Full-Port Flow
- Superior RPTFE Seats and Packing
- Adjustable Stem Packing
- Blowout-Proof Stem
- 2-1/2" - 4" Sizes Now Feature 316SS Ball and Stem (Standard)
- Dezincification Resistant Materials
- 100% Factory Tested
- Silicone Free Assembly
- **Made in USA, ARRA Compliant**

PERFORMANCE RATING

- Rating: 600 CWP (1/4" - 2")
- Rating: 400 CWP (2-1/2" - 4")
- Steam Rating: 150 psi SWP
- Temperature Range: 0°F - 400°F
- Vacuum Service to 29 in. Hg

OPTIONS

- (-01) Standard Lever
- (-04) 2-1/4" Stem Extension
- (-07) Tee Handle
- (-10) Stainless Steel Lever & Nut
- (-11) Therma-Seal™ Insulating Tee Handle
- (-27) Locking Handle SS
- (77F140 Series) - SS Ball & Stem

STANDARD MATERIALS LIST

BODY	Lead Free Brass, C27451
SEAT	RPTFE
BALL	Lead Free Brass, C27451, Chrome Plated 316 SS (2-1/2" - 4")
STEM PACKING	RPTFE
NUT	Corrosion Resistant Plated Steel
STEM	Lead Free Brass, C27451 316 SS (2-1/2" - 4")
RETAINER	Lead Free Brass, C27451
HANDLE	Plated Steel / Insulated Polyvinyl
GLAND	Brass, ASTM B16, C36000

APPROVALS

- MSS SP-110
- IAPMO/ANSI Z1157
- NSF/ANSI/CAN 61 - Water Quality
- NSF/ANSI 372 - Lead Free

CSA LISTED

- CGA 3.16 (125 PSI)
- CGA CR91-002 (5 PSI)
- ANSI Z21.15/CSA 9.1 (1/2 PSI)
- ASME B16.44 (5 PSI)
- ASME B16.33 (125 PSI) (1/2" - 2")

UL LISTED

- UL 125 - Flow Control Valves for LP-Gas, Guide YSDT to 250 psi max
- UL 258 - Fire Protection Trim & Drain, Guide VQGU to 175psi max (1/4" - 2")
- UL 842 - Valves for Flammable Fluids, Guides YRBX, YRPV, and MHKZ to 250 psi max. (1/4" - 4" NPT only)
- UL 1477 - Compressed Gas Shutoff Valves, Guide YQNZ to 250 psi max (1/4" - 4" NPT only)

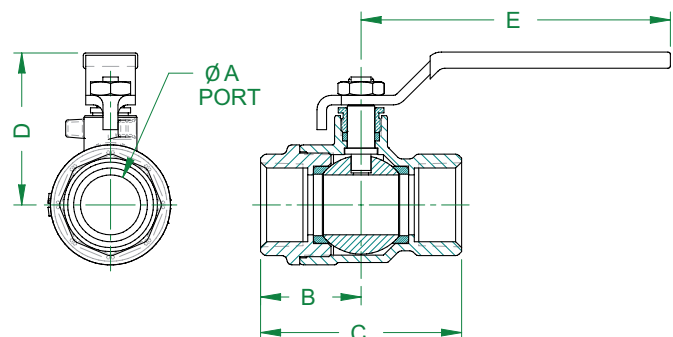
*Gas approvals apply to NPT models only

FM LISTED

- FM 1140 (<175 PSI) (1/4" - 2")

DIMENSIONS

PART NUMBER	SIZE (IN.)	DIMENSIONS (IN.)					WT. (LB.)
		A	B	C	D	E	
77FLF-101-01	1/4"	0.38	0.81	1.62	1.61	2.85	0.3
77FLF-102-01	3/8"	0.38	0.85	1.70	1.61	2.85	0.3
77FLF-103-01	1/2"	0.50	1.14	2.25	1.66	2.85	0.5
77FLF-104-01	3/4"	0.75	1.29	2.57	1.91	3.86	0.8
77FLF-105-01	1"	1.00	1.60	3.20	2.11	3.86	1.3
77FLF-106-01	1-1/4"	1.25	1.73	3.46	2.44	4.75	2.1
77FLF-107-01	1-1/2"	1.50	2.00	4.00	2.91	5.42	3.2
77FLF-108-01	2"	2.00	2.37	4.74	3.69	7.77	5.6
77FLF-149-01	2-1/2"	2.50	2.99	5.98	4.14	7.77	12.8
77FLF-140-01	3"	3.00	3.52	7.05	5.03	9.92	19.7
77FLF-14A-01	4"	4.00	3.83	7.65	5.70	14.78	25.5



*LEAD FREE: The wetted surfaces of this product shall contain no more than 0.25% lead by weighted average. Complies with Federal Public Law 111-380. ANSI 3rd party approved and listed.