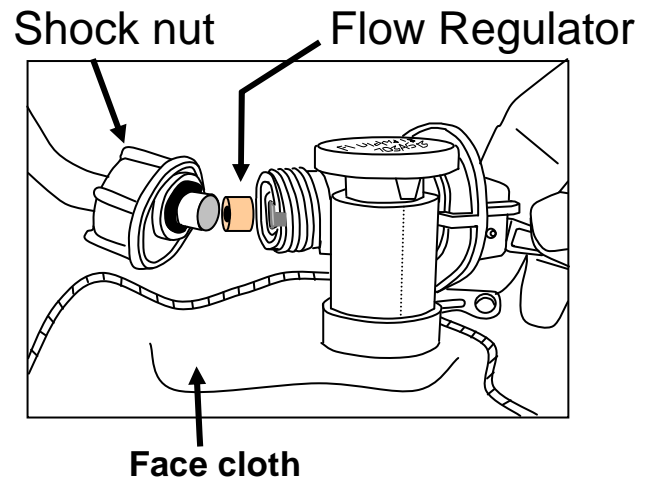
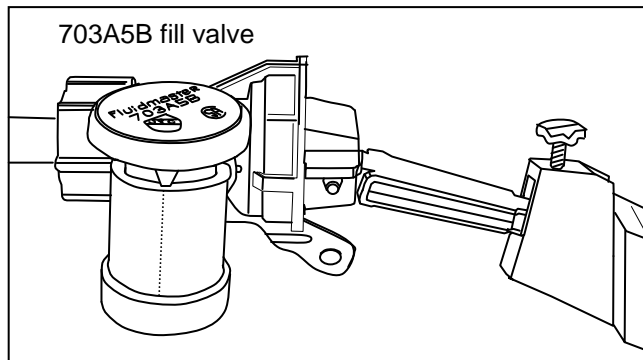


Replacing 703A5B Fill Valve

- 1) When removing the Shock nut from the Fluidmaster fill valve place a face cloth in your hand and cup it under the shock nut to catch the tiny Flow Regulator located inside valve body.
- 2) You must replace the Flow Regulator back inside new Fluidmaster fill valve, then hand tighten the Shock nut back on fill valve body. **Be sure to keep the fill valve level while tightening Shock nut.**
- 3) To flush out debris or change out the Disk Shut Off Seal please follow Steps 1,2 and 3,below.



Replacing Seal and rinsing out debris

1. Turn off water to toilet. Place thumb and index finger on turning tabs, (fig.1). Rotate counter clockwise 1/8 turn to unlock.
2. Remove float arm away from valve body. Note: Disc shut-off seal located at float arm base, (fig.2)
3. Place cupped hand over valve to prevent splashing and turn on water supply for several seconds to rinse out debris.
4. Replace Disc shut-Off Seal. Inspect metal pin, (Fig.2). Make sure pin is not bent. Replace float arm into well of body and turn clockwise to lock into place, (fig.3).. Make sure the side bubbler is setting horizontal.

Fig. 1 Unlock

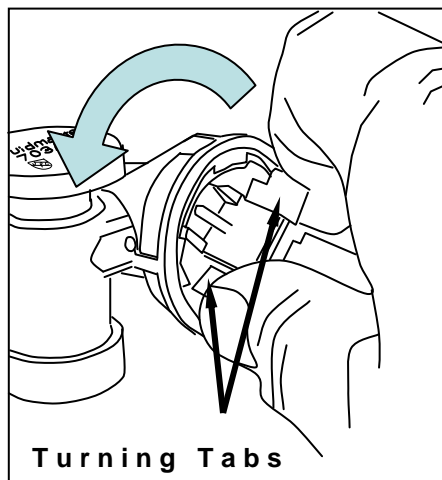


Fig. 2

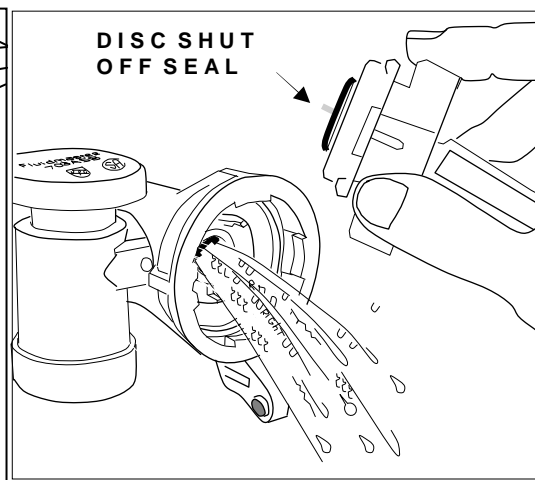


Fig. 3 Lock

