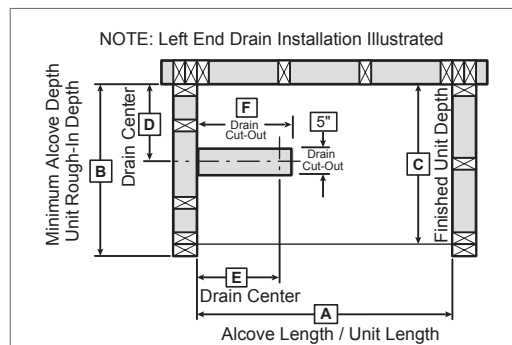


TECHNICAL SPECIFICATIONS

CM-60

MODEL NUMBER 141000

DIMENSIONS: 60" x 31 1/2" x 72" Gelcoat



Model	A	B	C	D	E	F
141000	60"	33"	31 1/2"	15 1/2"	9 1/2"	12"

STANDARD FEATURES

- One-piece gelcoated fiberglass tub-shower
- Built-in back wall shelves with integrated soap dish
- Right or left drain
- Textured floor
- 13 3/4 inch deep sump
- Bottom bathing well : 42 inch L x 16 inch W
- Optional unique features: Above-the-Floor Rough

UNIQUE FEATURES

- Above-the-Floor Rough (AFR)

OPTIONS

- All walls reinforced
- Wall reinforcement (one wall)

SYSTEMS

- None

DOOR SELECTION

Combine with AKER's complete shower door offering visit www.akerbymax.com

CERTIFICATIONS

AKER products adhere to one or more of the following certifications:



Project :

Contractor :

AKER Representative : Tel :

Date :

TECHNICAL SPECIFICATIONS

CM-60

MODEL NUMBER 141000

TECHNICAL DRAWINGS

