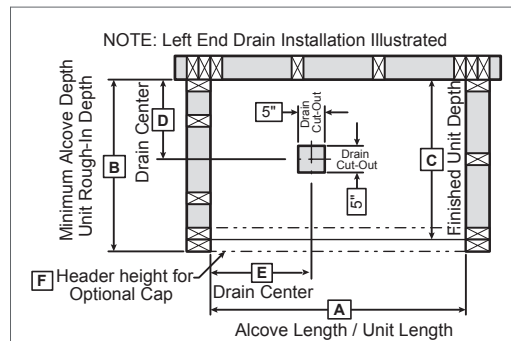
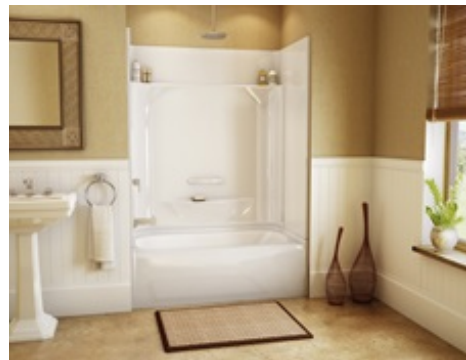


# TECHNICAL SPECIFICATIONS

## KDTS 2954

**MODEL NUMBER 142000**

DIMENSIONS: 53 7/8" x 29" x 77 1/2" Gelcoat



Model	A	B	C	D	E
142000	54"	30"	29"	13 7/8"	8 1/8"

### STANDARD FEATURES

- Four-piece gelcoated fiberglass tub-shower with PIN system for easy front installation
- Large top corner shelves, wide soap dish and standard acrylic handle (opt. metallic finishes)
- Bottom bathing well: 37 7/8 inch L x 19 3/8 inch W
- Optional unique features:  
Reinforced walls and grab bars
- Product also available in Above-the-Floor Rough (AFR)
- Right or left-hand drain
- Textured floor
- 14 3/8 inch deep sump

### UNIQUE FEATURES

- PIN system
- KDS Series Installation

### OPTIONS

- Shower base only KDTS 2954 with pin system
- Side walls (right and left) for KDTS 2954, KDTS 3060 and KDS 3060
- 142060 - Back wall for KDTS 2954
- Wall reinforcement (one wall)
- Pre-assembled unit
- 18" Modern straight grab bar

### SYSTEMS

- None

### DOOR SELECTION CERTIFICATIONS

Combine with AKER's complete shower door offering; visit [www.akerbymax.com](http://www.akerbymax.com)



Project : .....

Contractor : .....

AKER Representative : ..... Tel : .....

Date : .....

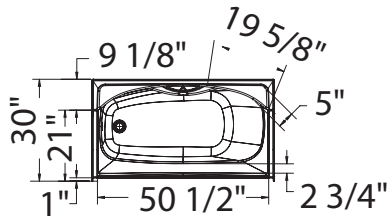
# TECHNICAL SPECIFICATIONS

## KDTS 2954

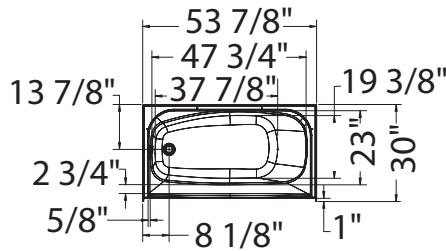
MODEL NUMBER 142000

### TECHNICAL DRAWINGS

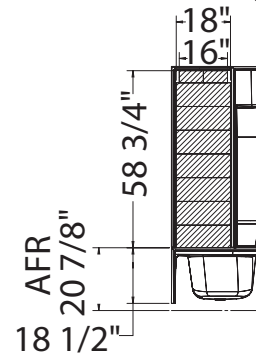
#### STANDARD



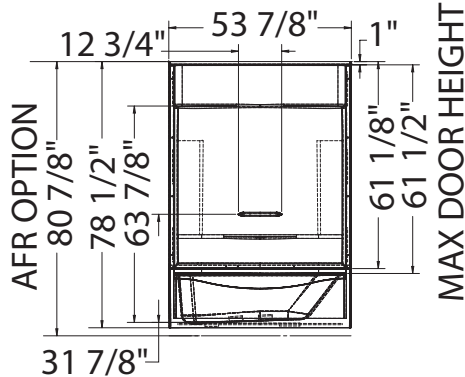
#### NO SYSTEM



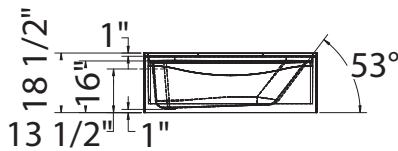
#### REINFORCEMENT BACKING OPTION 20212-L Shown OPTION 20212-R Symmetrical



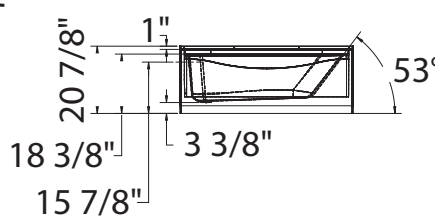
#### Door Opening



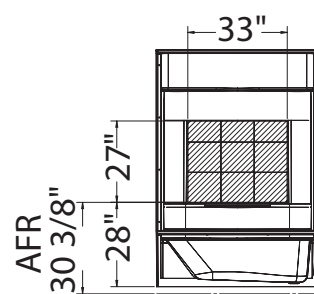
#### NOT ABOVE-THE-FLOOR



#### ABOVE-THE-FLOOR

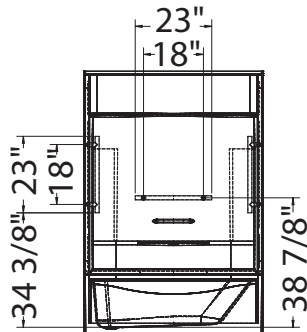


#### OPTION 20212-B

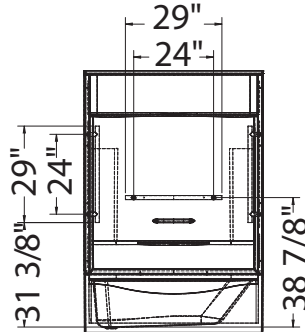


#### GRAB BARS

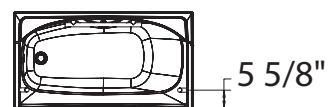
#### OPTION 20203



#### OPTION 20204



#### OPTION 20203-20204



All dimensions are approximate. Structure measurements must be verified against the unit to ensure proper fit.