

# TECHNICAL SPECIFICATIONS

## TO-3660 AFR

**MODEL NUMBER 141353**

DIMENSIONS: 60" x 36" x 16" Gelcoat



### STANDARD FEATURES

- Meets FHA accessibility requirements
- Integrated tiling flange
- 2 3/4 in. Above-the-Floor Rough included
- 14 1/4" deep sump
- Bottom bathing well : 45 1/2" L x 23 1/2" W
- Textured floor
- Right or left drain
- Alcove installation

### UNIQUE FEATURES

- Tiling Flange
- Above-the-Floor Rough (AFR)

### OPTIONS

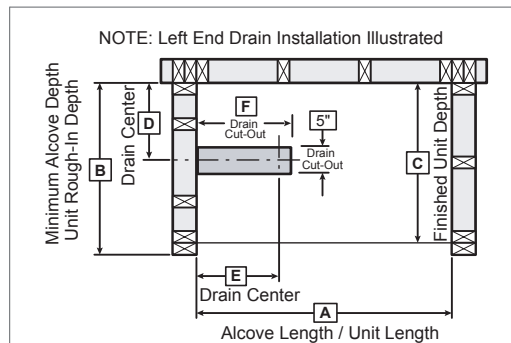
- None

### SYSTEMS

- None

### DOOR SELECTION

Combine with AKER's complete shower door offering visit [www.akerbymaax.com](http://www.akerbymaax.com)



Model	A	B	C	D	E	F
141352	60	37	36	17 1/4	8	10 1/2

Project : .....

Contractor : .....

AKER Representative : ..... Tel : .....

Date : .....

### CERTIFICATIONS

AKER products adhere to one or more of the following certifications:

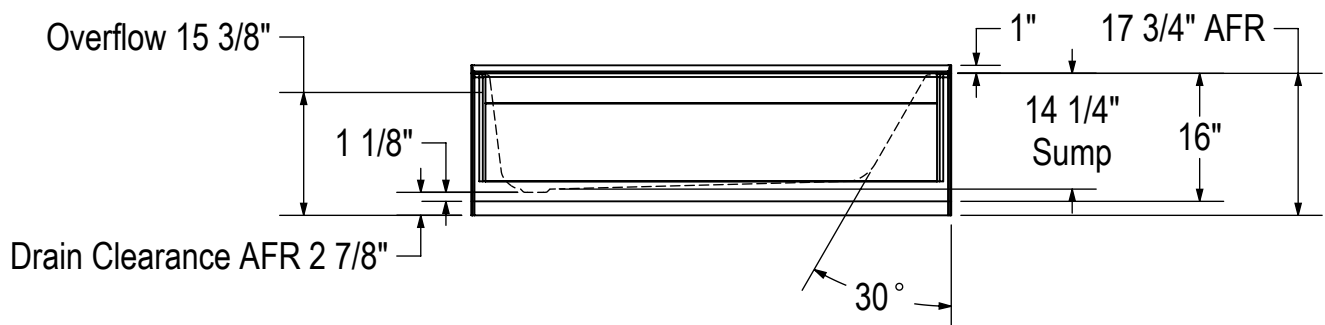
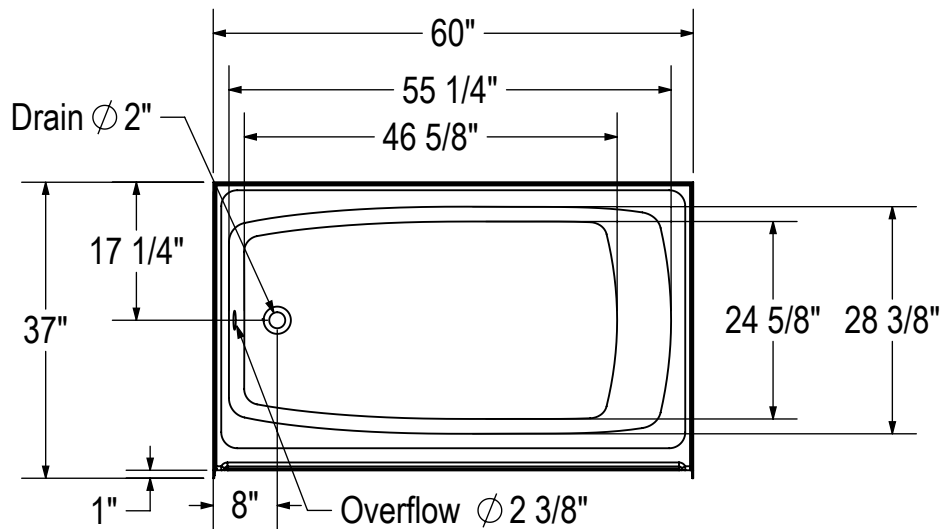


# TECHNICAL SPECIFICATIONS

## TO-3660 AFR

MODEL NUMBER 141353

### TECHNICAL DRAWINGS



All dimensions are approximate. Structure measurements must be verified against the unit to ensure proper fit.