

TECHNICAL SPECIFICATIONS



TO-3660

MODEL NUMBER 141352

DIMENSIONS: 60" x 36" x 16" Gelcoat



STANDARD FEATURES

- Meets FHA accessibility requirements
- Integrated tiling flange
- 2 3/4 inch Above-the-Floor Rough available
- Textured floor
- 14 1/4 inch deep sump
- Bottom bathing well : 45 1/2 inch L x 23 1/2 inch W
- Right or left drain
- Alcove installation

UNIQUE FEATURES

- Tiling Flange

OPTIONS

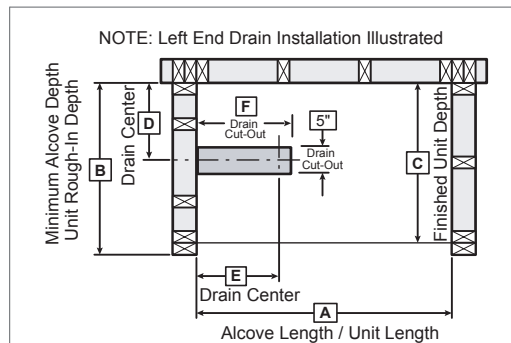
- None

SYSTEMS

- None

DOOR SELECTION

Combine with AKER's complete shower door offering visit www.akerbymax.com



Model	A	B	C	D	E	F
141352	60	37	36	17 1/4	8	10 1/2

Project :

Contractor :

AKER Representative : Tel :

Date :

CERTIFICATIONS

AKER products adhere to one or more of the following certifications:

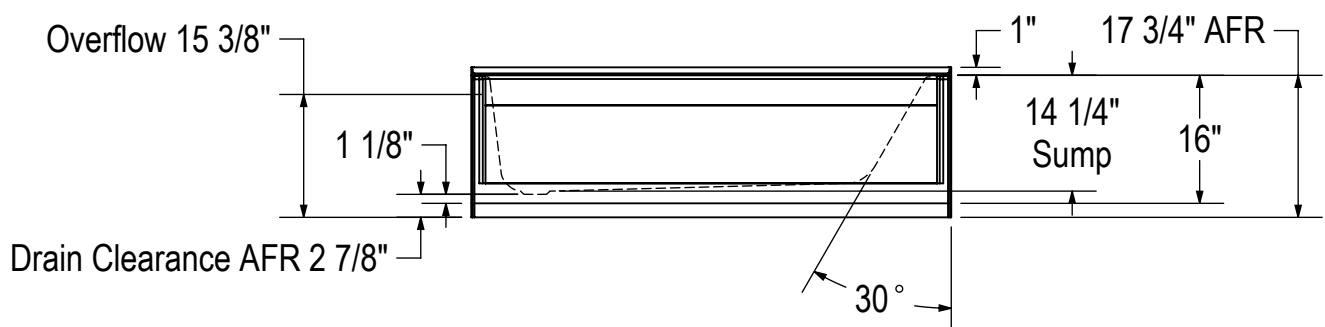
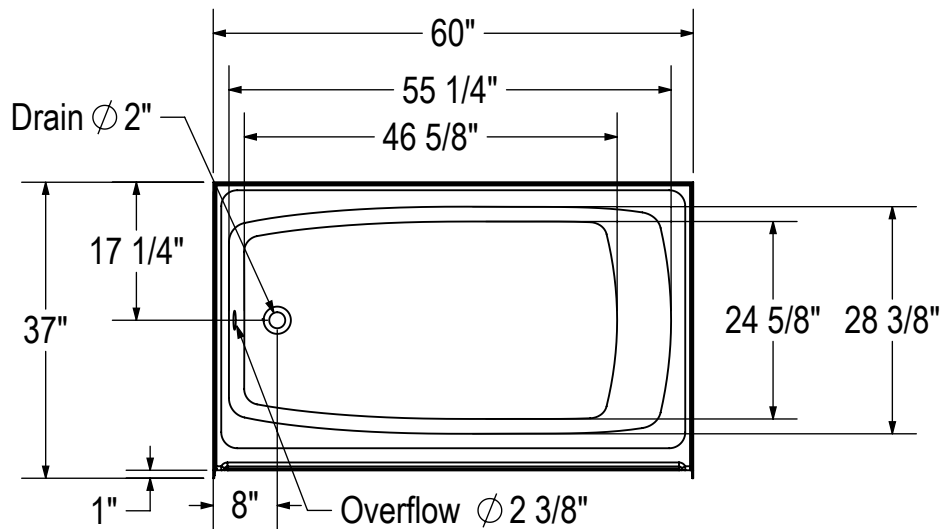


TECHNICAL SPECIFICATIONS

TO-3660

MODEL NUMBER 141352

TECHNICAL DRAWINGS



All dimensions are approximate. Structure measurements must be verified against the unit to ensure proper fit.