

VERTEX™ 96% THERMAL EFFICIENCY VERSATILE POWER DIRECT VENT

Today's homes demand more hot water than ever before, and the 96% efficient Vertex™ power direct vent gas water heaters offer unprecedented levels of performance to meet the need. The fully condensing Vertex design is so advanced, it can deliver "continuous hot water for shower after shower" at a constant flow of over 4 gallons per minute.*

ENERGY STAR® QUALIFIED

HELICAL INTERNAL HEAT EXCHANGER

- Spiral heat exchanger keeps hot combustion gases in the tank longer to lengthen the heat transfer cycle
- Positioned in the center of the tank for more even heat distribution
- Operates at 96% thermal efficiency, which saves money on operating costs compared to a standard 80% efficient gas water heater

POWER DIRECT VENT DESIGN

- Combined vertical and horizontal runs terminating through an outside wall. Vents using PVC, CPVC, or polypropylene pipe. Canadian installations require ULC S636 approved PVC CPVC or polypropylene pipe for venting.
- 2" pipe, vents up to 45 equivalent feet
- 3" pipe, vents up to 125 equivalent feet

CONDENSING DESIGN

- 96% efficient condensing design
- Equipped with condensate drain tee

SIDE-MOUNTED HOT AND COLD RECIRCULATING TAPS

- Allows Vertex to be installed as part of combination space heating/water heating applications

ADVANCED ELECTRONIC CONTROL

- Large LCD display
- Precise temperature control
- Advanced diagnostics
- iCOMM™ Compatible and can be monitored from remote locations. Call 1.888.WATER02 for more information.

HEAVY-DUTY ANODIC PROTECTION

- Provides even more protection against corrosion

BLUE DIAMOND® GLASS COATING

- Provides superior corrosion resistance compared to industry standard glass lining.

TOP FIRED ULTRA-LOW NOX GAS BURNER

- Enhanced Ultra-low NOx burner complies with SCAQMD Rule 1146.2 and other Air Quality Management Districts with similar requirements for NOx emissions of less than 14 ng/j

CSA CERTIFIED AND ASME RATED T&P RELIEF VALVE

AVAILABLE IN NATURAL GAS OR PROPANE

MAXIMUM HYDROSTATIC WORKING PRESSURE: 150 PSI

CODE COMPLIANCE

- Meets UBC, CEC and ICC National Codes.
- Meets the thermal efficiency and standby loss requirements of the U.S. Department of Energy and current edition of ASHRAE/IES 90.1.

DESIGN-CERTIFIED BY CSA INTERNATIONAL

- Certified at 300 psi test pressure and 150 psi working pressure. Listed according to ANSI Z21.10.3 - CSA 4.3 standards governing storage tank-type water heaters.

6-YEAR LIMITED TANK AND PARTS WARRANTY

- For complete information, consult written warranty or go to hotwater.com

*Continuous hot water based on 4.31 GPM continuous flow with a 65°F inlet water temperature, 110°F outlet temperature, and a unit installed per the manufacturer's instructions.

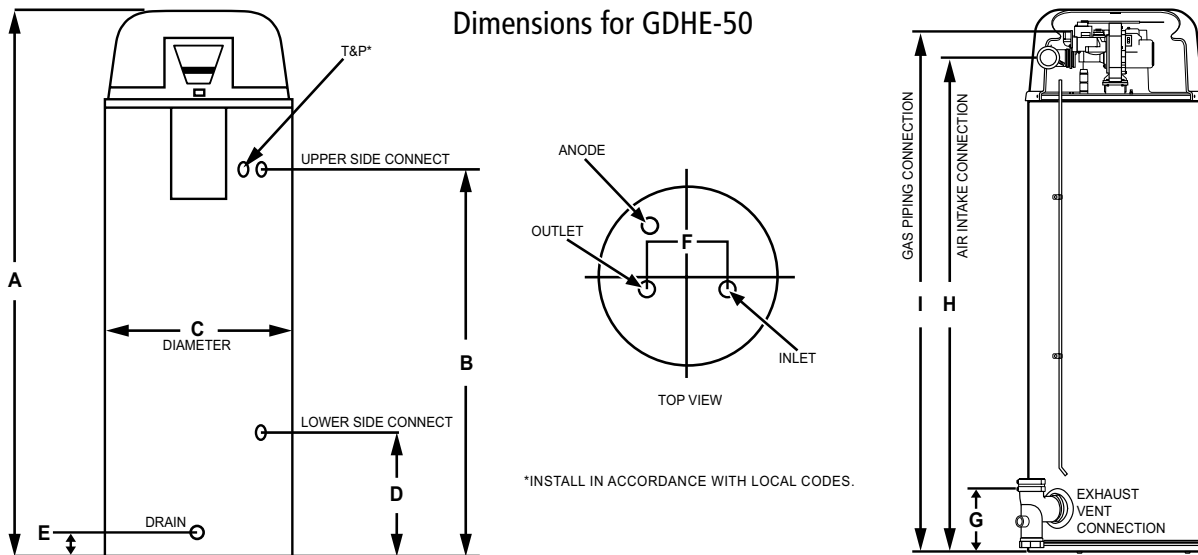


MODEL SHOWN GDHE-75
SERIES 140/141

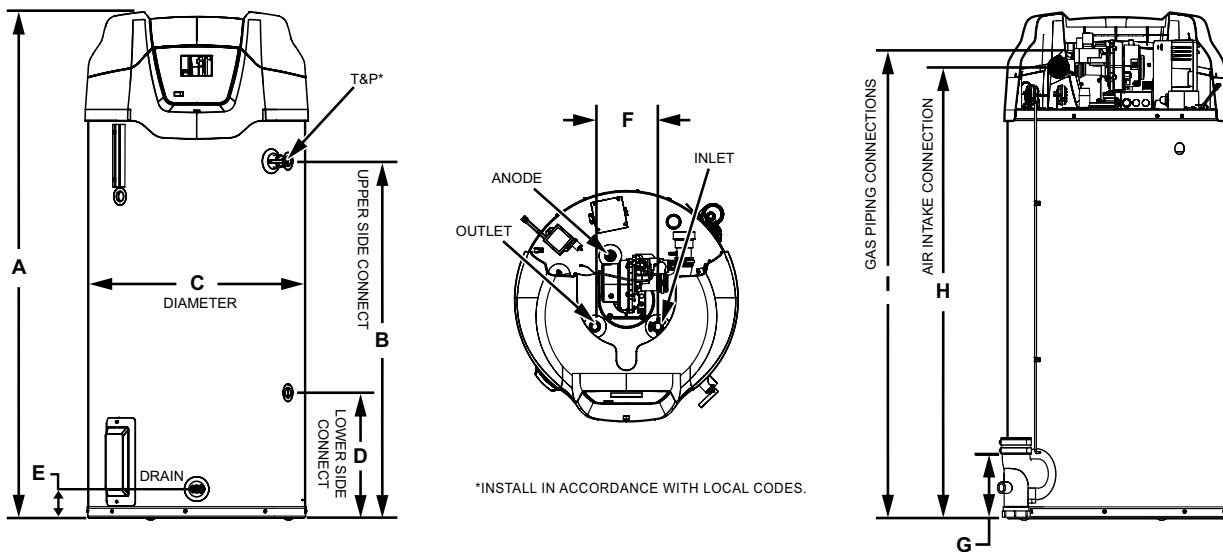


Model Number	Gallon Capacity	Recovery @ 90°F Rise Gallon Per Hour	BTU Input Per Hour	Vent Size	Dimensions in Inches						Approx. Shipping Weight (lbs)
					A	B	C	D	E	F	
GDHE-50	50	129	100,000	2 or 3	66-3/4	49-1/4	22	15-3/4	3	8	255
GDHE-75	75	129	100,000	2 or 3	65-1/4	45-5/8	27-3/4	16	3-3/4	8	382

Available in Propane (LP) gas. Specify when ordering Propane (LP) gas.
 Models certified for sea level to 10,100 ft. elevation.
 Optional Condensate Neutralizer Kit available (Part Number 9007959005).



Dimensions for GDHE-75



For technical information call 800-527-1953. A. O. Smith Corporation reserves the right to make product changes or improvements without prior notice.