

# High-Performance Low-Profile Termination



## Lasting Beauty

### Well-built Aesthetics

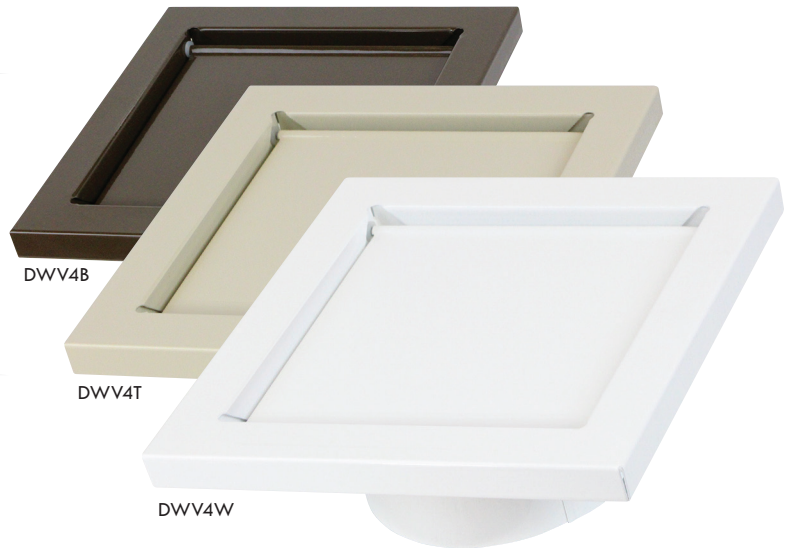
Low profile and clean lines help enhance exterior beauty. With a 26 gauge Galvanized **and** powder coated steel body, the Dryer Wall Vent is the last vent a home will ever need.

### Ease of Installation

Engineered for a quick, perfect fit in both retrofit and new construction, total replacement time can be as low as four minutes.

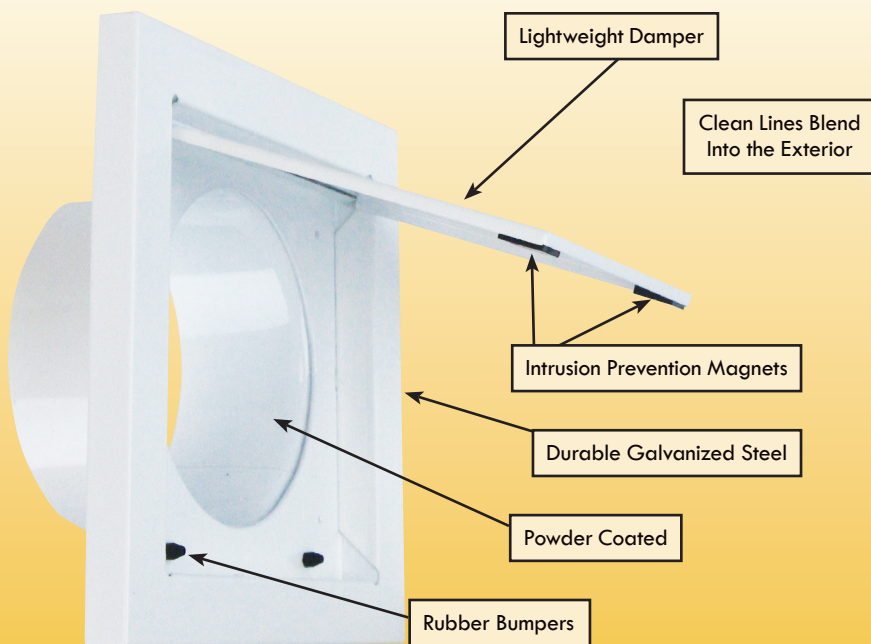
### Airflow Efficiency

The lightweight damper and clean opening maximize efficiency and exceed all code requirements. Less airflow restriction helps save on energy bills, drying time and appliance wear.



### Efficient, Low Profile Termination

- Lightweight Damper Reduces Airflow Restriction
- Balanced Magnets Deter Bird and Rodent Intrusion
- Damper Easily Accommodates Cleaning Equipment
- Exceeds all Code Requirements for Safe Venting



*The Dryerbox®  
People*

**In-O-Vate**  
Technologies Inc

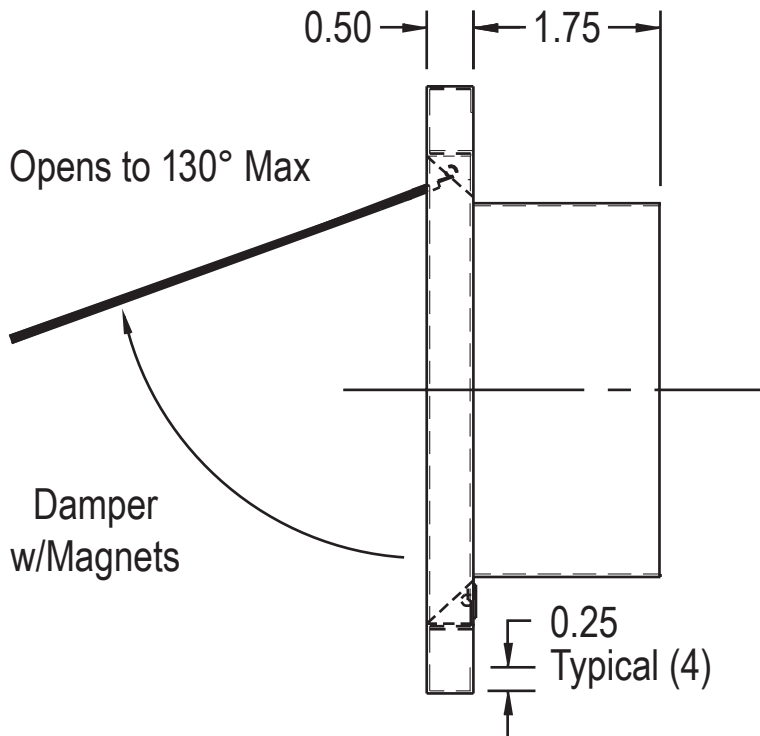
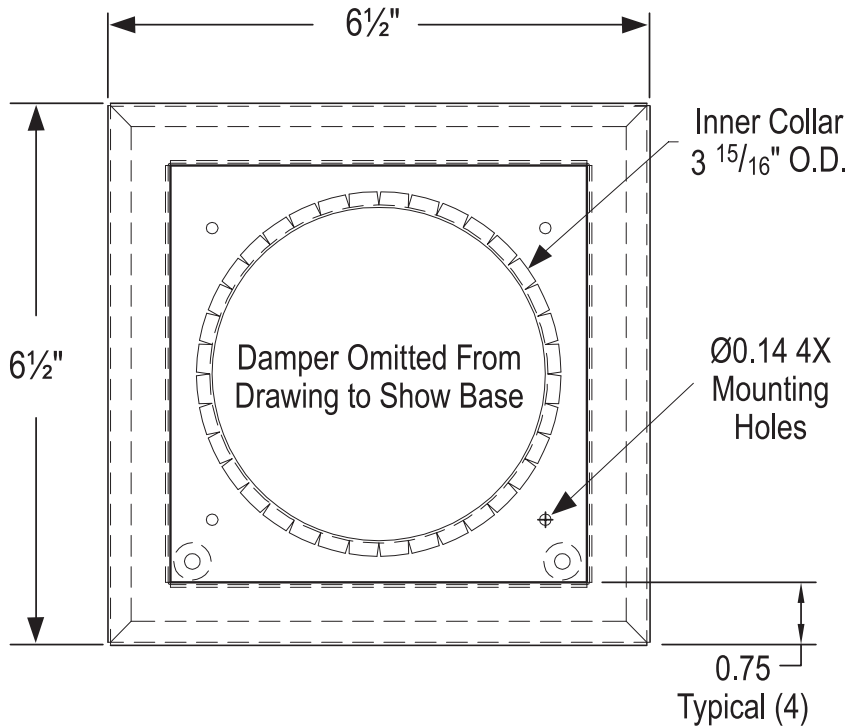
**888-443-7937**

**www.DryerWallVent.com**

810 Saturn Street • Suite 20 • Jupiter FL 33477 • Phone: 561-743-8696 • Fax: 561-745-9723



# Technical Product Specifications



Model Number	Color
DWV4W	White
DWV4T	Tan
DWV4B	Brown

## Performance Data

### Product Use:

- Venting Dryer Exhaust Systems Through Exterior Walls
- Meets or Exceeds Building Code Requirements
- Complies w/ IMC 504.4 & IRC 1502.3

### Materials:

- 26 Gauge Galvanized Steel Housing
- 30 Gauge Galvanized Steel Damper
- Polyester TGIC Weather Resistant Powder Coating

## General Information

### Benefits:

- Improves Aesthetics with Flush Installation
- Installs Easily in New and Existing Construction
- Stands the Test of Time with Durable Materials
- Simplifies Duct Cleaning with Easy Accessibility
- Deters Bird and Rodent Entry
- Operates Quietly when Opening and Closing
- Maximizes Airflow Efficiency
- Minimizes Dryer Cycle Times

### Features:

- Galvanized & Powder Coated Steel Construction
- Lightweight Damper and Heavier Frame
- Damper Opens Freely to 130°
- Low Strength Closure Magnets
- Rubber Bumpers for Quiet Closing Damper
- Slightly Narrower Collar Rests within Sturdy Frame
- Four Built-in Mounting Holes
- Stocked in 3 Colors: White, Tan and Brown

## Manufactured By

### In-O-Vate Technologies, Inc.

810 Saturn Street, Suite 20  
 Jupiter, FL 33477  
 Phone: (888) 443-7937  
 Fax: (561) 745-9723  
[www.dryerwallvent.com](http://www.dryerwallvent.com)