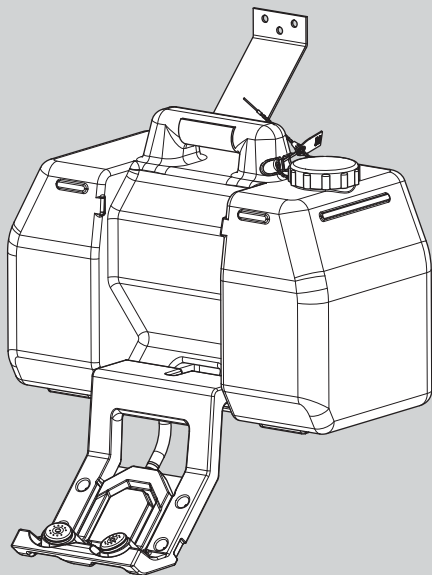


INSTRUCTIONS FOR MODELS

SE-4400 GRAVITYFLO® Portable Eyewash



NEED HELP?

For additional assistance or service please contact:

SPEAKMAN®

400 Anchor Mill Road
New Castle, DE 19720

800-537-2107

customerservice@speakman.com

www.speakman.com

92-SE-4400-R3



IMPORTANT



ANSI Z358.1 requires that all self-contained eyewash units shall be visually inspected weekly, unless the product is placed in environments with extreme conditions that may affect the form, fit, or function of the unit (temperature, dirt, etc.). If this is the case, then the inspection should be conducted more often as the end user deems necessary. Speakman Company furnishes a testing record tag (91-0635) with each unit. On this tag, the date of inspection and the inspectors' initials should be noted. ANSI Z358.1 specifies that the height of the spray heads is to be between 33"-45" from the floor. The SE-4400 weighs approximately 100 lbs when filled. Ensure the mounting surface and mounting hardware (not supplied) can safely hold a minimum vertical load of 150 lbs. Be sure to read instructions thoroughly before beginning installation. Do not overtighten any connections or damage may occur. The unit should be full at all times, to achieve the minimum 15 minute run time as stated by ANSI, in case of an emergency. Refill the tank to full level after each activation.

SAFETY TIPS

The SE-4400 Portable Eyewash should be installed in close proximity to potential accident areas. It should be clearly identified, free from obstructions and easily accessible.

The SE-4400 shall be protected from freezing, direct sunlight, and shall not be exposed to ambient temperatures exceeding 38°C (100°F).

MAINTENANCE

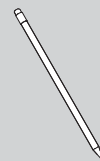
Occasional cleaning and disinfection is recommended. To clean the inside of unit, add 1/4 cup (2 fluid oz.) of Clorox Liquid Bleach to a full tank of potable water. Allow the mixture to penetrate for 15 minutes. Drain tank, and rinse thoroughly several times with potable water. For further information about Clorox Liquid Bleach, call toll-free at 1-800-292-2200. Follow refilling instructions in this manual and place tank back in service. Should any repair part be required, use only genuine SPEAKMAN parts for repair or replacement. See available replacement parts on the final page of this manual. To order replacement parts, please call toll-free at 1-800-537-2107.

WARRANTY

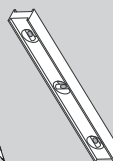
3 Year Limited Warranty: Speakman Safety products are warranted to be free of defects in material and workmanship for 3 years from date of installation. ("Warranty Period") Speakman warrants to its purchases ("Buyer") that goods are sold free from defects in materials and workmanship and conform to Speakman's specifications at the time of manufacturing, provided the goods are properly installed and maintained. Buyer's sole and exclusive remedy for any goods that may prove to have had a non-conformance within the Warranty Period shall be, at Speakman's sole option, the repair or replacement of the non-conforming goods.

TOOLS AND SUPPLIES

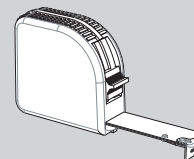
Pencil



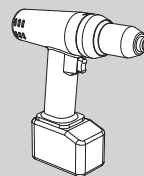
Level



Measuring
Tape



Drill



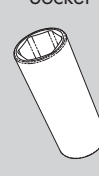
Drill Bit



Socket
Wrench

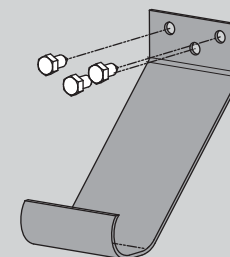


Deep Well
Socket



2

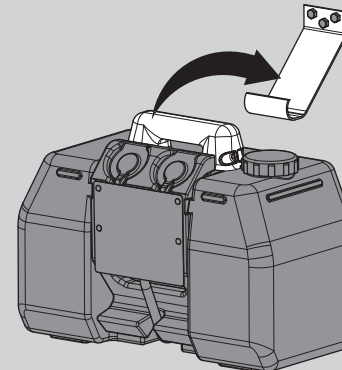
Drill necessary holes into mounting surface and secure Mounting Bracket to surface using appropriate hardware, being sure to torque to manufacturer's specifications.



NOTE: Mounting hardware not included. Ensure the mounting surface (wall, etc.) and mounting hardware can safely hold a minimum vertical load of 150 lbs.

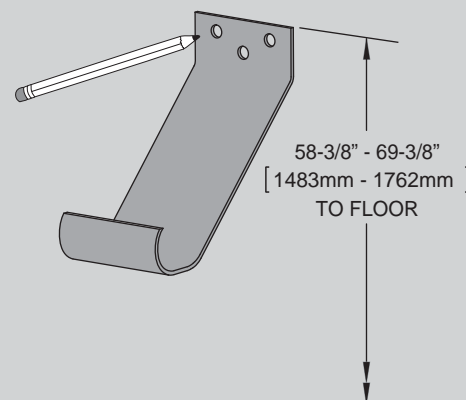
3

Install empty tank onto Mounting Bracket (if wall mounting) or table top surface.



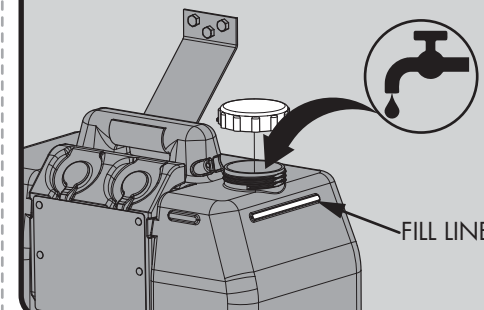
1

Select a suitable mounting location for the SE-4400 capable of supporting 150 lbs. The location should protect the unit from freezing and potential scalding conditions. Place mounting bracket on surface so the top of the mounting bracket is located between 58 3/8" - 69 3/8" from the floor. Making sure the bracket is level, mark the mounting locations onto the structure.



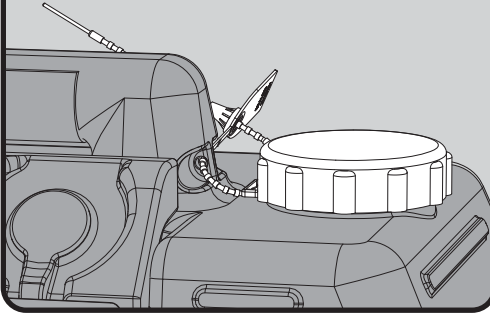
4

Remove Fill Cap and fill tank to line with potable water (approximately 9 gallons). Failure to use potable water can result in emergency units producing impure or contaminated water, possible causing further injury.



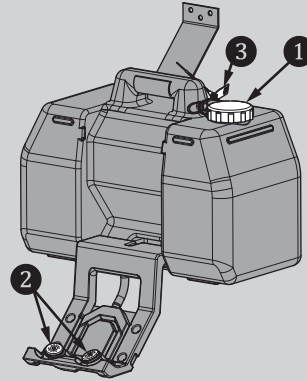
5

Reinstall Fill Cap and secure it with the tamper-evident Seal Tie. Secure the included Maintenance Tag to the tank in a location where it can be easily checked.



SE-4400 REPAIR PARTS

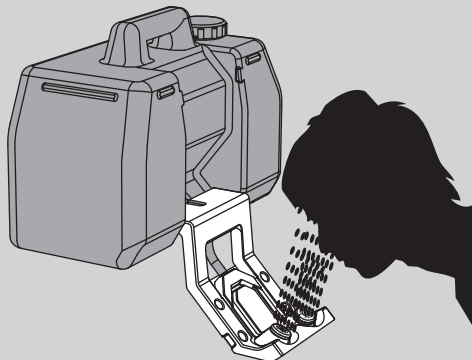
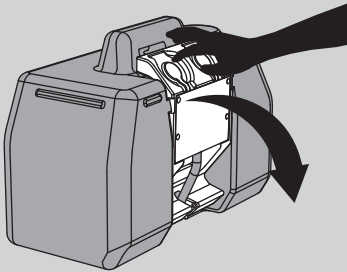
SPEAKMAN®



ITEM NO.	PART NO.	DESCRIPTION
1	RPG07-0021	REPLACEMENT FILL CAP -QTY:1
2	RPG38-0434	REPLACEMENT SPRAY OUTLETS - QTY:2
3	RPG05-0935	TAMPER EVIDENT SEAL TIE - QTY:6

ACTIVATION

To activate the flow of water, rotate activation tray downward.



FLOW DATA:

Run Time (Full Tank): 15 minutes (minimum)
Flow Rate: .4 gpm (1.5 L/min) (minimum)

SE-4400 ROUGH IN DIAGRAM

SPEAKMAN®

