



Buy it for looks. Buy it for life.®

Specifications

DESCRIPTION

- Metal construction with various finishes identified by suffix
- Designed to be installed through 1, 5" diameter hole
- Single function handheld shower
- 59" double interlock spiral hose (metal)
- Includes integral dual check valves for backflow protection


OPERATION

- Pivot action lever style handle
- Pull diverter to switch between faucet and handshower

FLOW

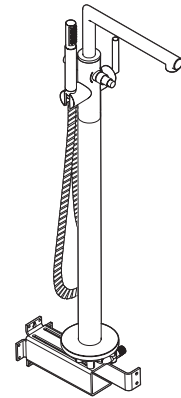
- Faucet designed to deliver 6.0 gpm (22.7 L/min) at 45psi
- Handshowers of EP suffix models are limited to 2.0 gpm (7.6 L/min) max for products manufactured prior to June 30, 2018. EP suffix models manufactured after June 30, 2018 are limited to 1.75 gpm (6.7 L/min) max.

STANDARDS

- Third party certified to ASME A112.18.1/CSA B125.1, and all applicable requirements referenced therein
- **ADA**  for lever handles

WARRANTY

- Lifetime limited warranty against leaks, drips and finish defects to the original homeowner
 - 10 year limited warranty when used in a multifamily installation
 - 5 year limited warranty when used in a commercial installation
- Visit www.moen.com/support for complete details and limitations

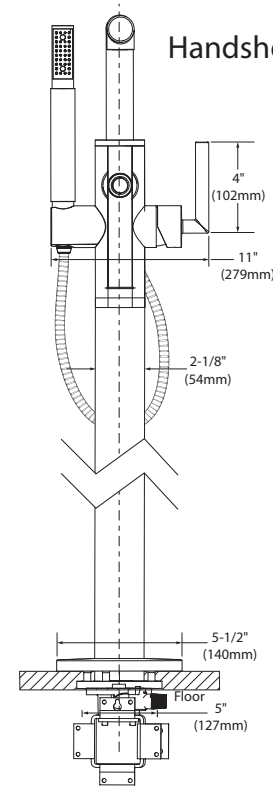
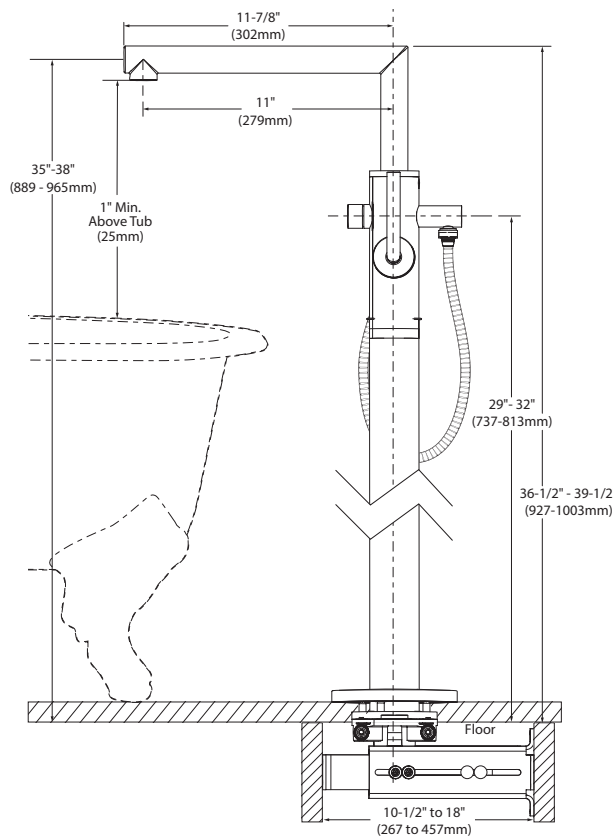


ARRIS™
**Single Handle Single Riser Floor
 Mounted Tub Filler Faucet**

Model: S93005 series
Floor Mount Rough-In Kit: TS50100



Handshower 3887EP



CRITICAL DIMENSIONS

(DO NOT SCALE)