



Buy it for looks. Buy it for life.®

Specifications

DESCRIPTION

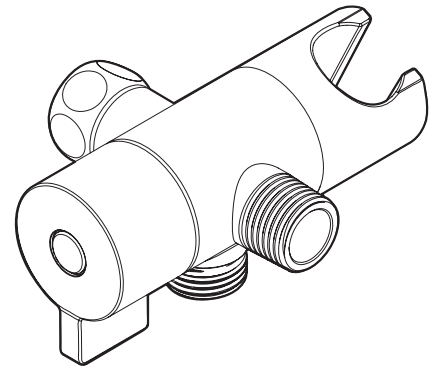
- Shower arm diverter with integral handshower cradle
- Metal construction with various finishes identified by suffix
- Diverter handle rotates 180 degrees to change functions
- Cradle has 60 degrees of travel
- Not recommended for use with showerheads larger than 8" across
- 1/2" IPS connections

WARRANTY

- Lifetime limited warranty against leaks, drips and finish defects to the original consumer purchaser
- 5 year warranty if used in commercial installations

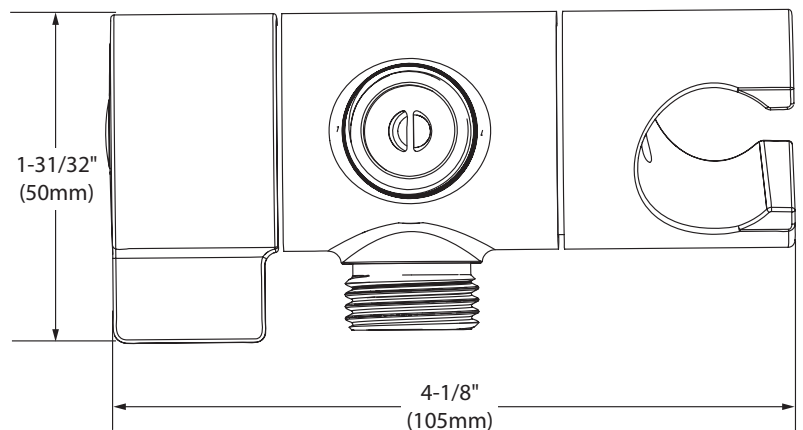
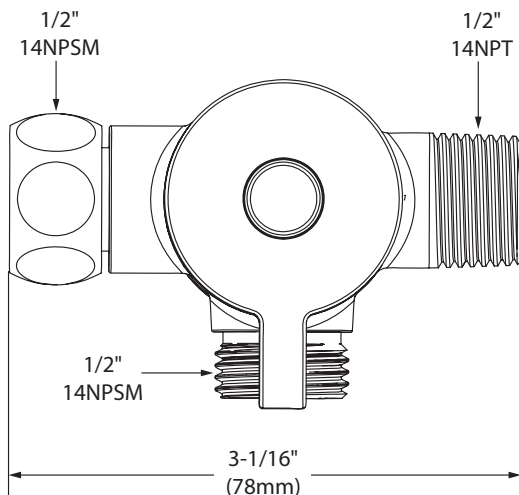
STANDARDS

- Third party certified to meet CSA B125.1/ASME A112.18.1 and all applicable specifications referenced therein



**Shower Arm Diverter
with Handshower Cradle**

Model: CL707



CRITICAL DIMENSIONS

(DO NOT SCALE)