



## Sink - MEM

Three-hole lavatory mixer with drain - polished chrome

Article number: 20 713 782-00 0010

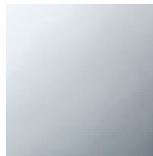


- 6-1/2" Projection
- US drain with overflow
- Rigid spout
- Rectangular aerated stream
- Total height 10-7/8"
- Height to aerator/spout outlet 6-3/4"
- Spout hole diameter 1-3/8"
- Valve hole diameter 1-1/4"
- Flange 2-3/8" x 2-3/8"
- Water flow rate limited to max. 1.2 gpm
- lead-free

### Codes & Standards

- NSF/ANSI 372
- California Energy Commission (CEC)
- ASME A112.18.1/CSA B125.1
- NSF/ANSI/CAN 61
- ADA

- (ADA)
- Suitable only for basins with overflow.



polished chrome



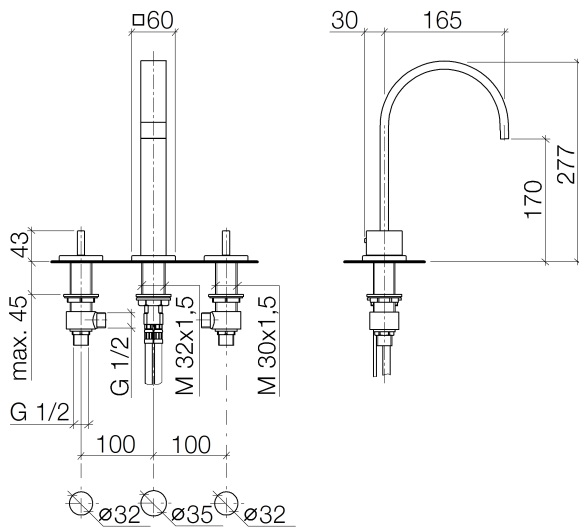


## Sink - MEM

Three-hole lavatory mixer with drain - polished chrome

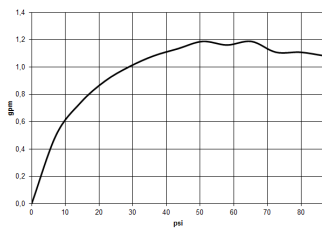
Article number: 20 713 782-00 0010

## Dimensional drawing



All dimensions in mm / inch = mm x 0,0394

## Flow rate chart





## Sink - MEM

Three-hole lavatory mixer with drain - polished chrome

Article number: 20 713 782-00 0010

### Other surface finishes



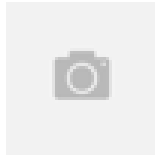
platinum matte

20 713 782-06 0010



platinum

20 713 782-08 0010



Brushed Durabronze

20 713 782-28 0010



Dark Platinum matte

20 713 782-99 0010

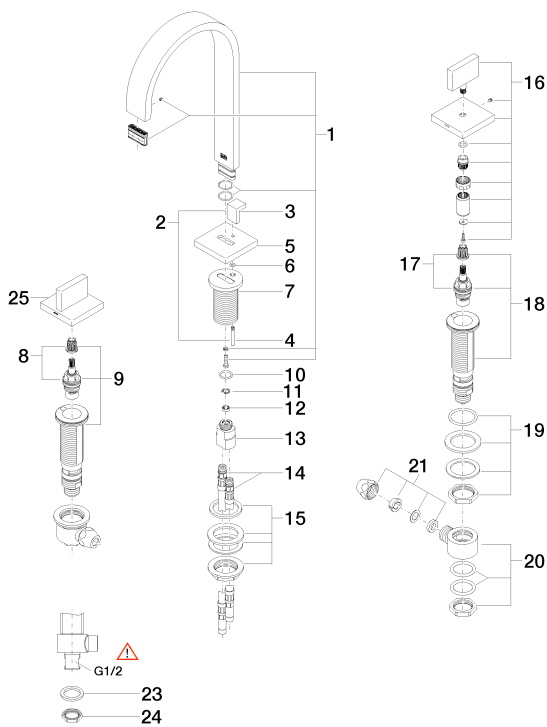
More custom finish options are available via special production (xTra Service). Please see our finish matrix for availability and pricing or contact a Dornbracht representative.

# Sink - MEM

Three-hole lavatory mixer with drain - polished chrome

Article number: 20 713 782-00 0010

## Spare parts list



Number	Item Number	Designation	Number of units
1	90 28 22 158 01-00	spout	1
2	04 20 78 030 80-00	pull-rod	1
3	09 20 78 030-00	handle	1
4	09 31 09 080-00	pull-rod	1
5	09 27 78 032-00	rosette	1
6	09 14 10 166 90	seal	1
7	09 11 10 054 10 90	connection	1
8	90 90 03 152 00 90	top	1
9	04 17 11 045 52 90	side panel	1
10	09 14 10 130 90	seal	1
11	09 16 01 016 90	ring	1
12	09 23 01 033 90	flow reducer	1
13	09 11 10 055 10 90	connection	1
14	04 30 04 016 00 90	hose	2
15	04 23 10 009 01 90	fixing set	1
16	90 20 78 002 04-00	handle ( cold )	1
17	90 90 03 153 00 90	top	1
18	04 17 11 045 53 90	side panel	1
19	04 23 10 032 78 90	fixing set	2
20	04 17 11 023 10 90	distributor	2
21	04 23 30 040 00-00	threaded connector	2
22	04 11 01 023 00-00	Drain 1" - polished chrome	1
23	09 30 11 059 90	disc	2
24	09 23 10 012 90	nut	2
25	90 20 78 002 05-00	handle ( hot )	1

22 Abba/Sperfor 2411.01.022.00-F