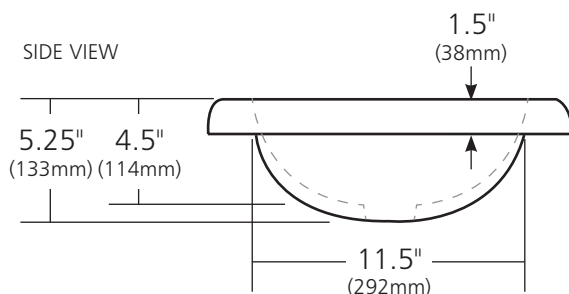
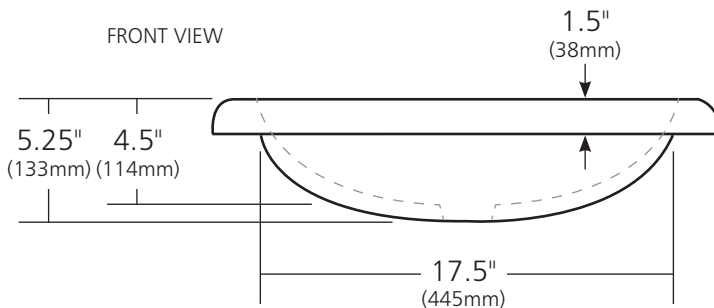
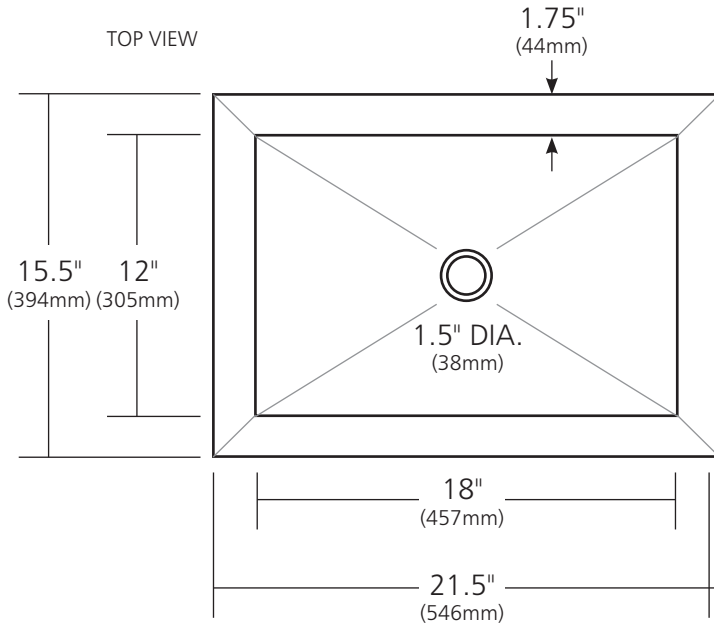


SPECIFICATIONS

MONTECITO

NativeStone™ Collection



NSL2216-A Ash
 NSL2216-S Slate
 NSL2216-P Pearl

PRODUCT DETAILS

- 21.5" x 15.5" x 5.25" OD (546mm x 394mm x 133mm)
- 18" x 12" x 4.5" ID (457mm x 305mm x 114mm)
- 1.5" (38mm) drain opening
- Handcrafted from sustainable NativeStone™
- Sealed with impermeable nano sealer

INSTALLATION

- Drop-in

COORDINATING PRODUCTS

- Drains: DR120, DR150 or DR160

STANDARDS COMPLIANCE

- UPC/cUPC compliant
- **ADA** COMPLIANT

IMPORTANT

Due to the handcrafted nature of this product, it will vary in finish, texture, and other details. Dimensions may vary up to 1/2" (13mm). We strongly recommend waiting for the actual product before making any installation cuts.