

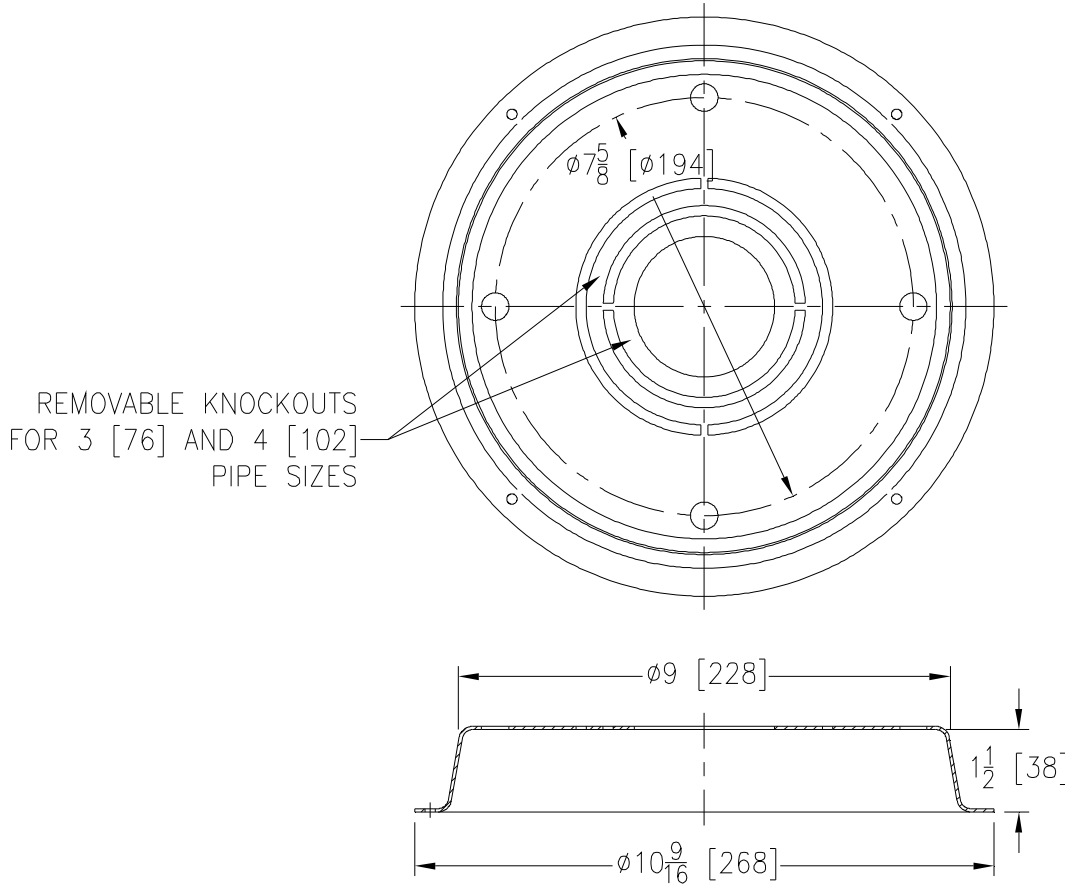


Z1035
FLOOR DRAIN INSTALLATION STABILIZER

SPECIFICATION SHEET

TAG _____

Dimensional Data (inches and [mm]) are Subject to Manufacturing Tolerances and Change Without Notice



Pipe Size In.	Pipe Opening Dia.
2 [51]	2-9/16 [65]
3 [76]	3-11/16 [94]
4 [102]	4-11/16 [119]

ENGINEERING SPECIFICATION: ZURN Z1035

Drain Installation Stabilizer. #20 Gage galvanized steel plate with variable pipe opening, four support stud holes, and four nail holes. Complete with hardware bag containing four 3/8-16 x 12 [305] long studs and eight 3/8-16 flanged locknuts.

NOTE: 7-5/8 [193] dia. stud holes used to accomodate 8-3/8 [213] dia. drain body.
(To be used with No-Hub and Neo-Loc outlet connections only).

** For Typical Installation - See Form# FD72

* Regularly furnished unless otherwise specified.