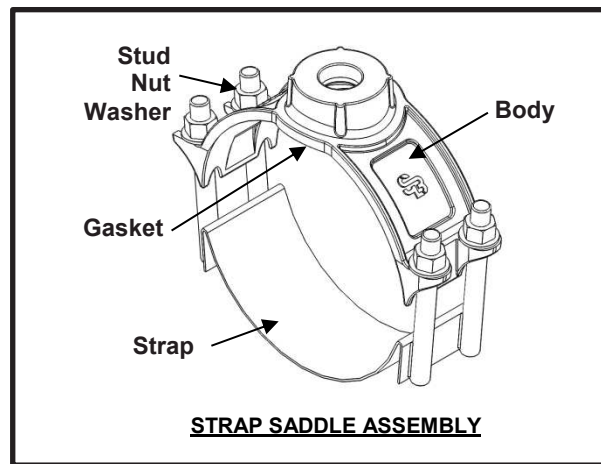


SPECIFICATION

BRONZE SERVICE SADDLE

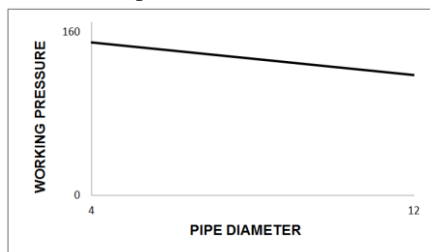
MODEL 325



APPLICATIONS

- **Typical Uses**
 - Tapping branch connections on new or existing pipe
 - Installing air/vacuum valves, pitot tubes, drain valves, or other miscellaneous service equipment
 - Installing pipe supports, hangers, or sign mounting brackets
- **Standard Pipe Sizes**
 - 4" to 12" nominal
- **Standard Taps**
 - NPT: 1/2", 3/4", 1", 1-1/4", 1-1/2", and 2"
 - CC/AWWA: 1/2", 5/8", 3/4", 1", 1-1/4", 1-1/2" and 2"
 - BSP: 1/2", 3/4", 1", 1-1/4", 1-1/2", and 2"

See Smith-Blair catalog for available pipe diameter and tap size combinations as some combinations are not available
- **Type of Pipe**
 - PVC, Carbon Steel, Stainless Steel, Ductile Iron, Asbestos Cement, Aluminum
- **Working Pressure**
 - Up to 150 psi depending on type of pipe, type of repair, pipe diameter, service conditions, and installation workmanship





SPECIFICATION

BRONZE SERVICE SADDLE

MODEL 325

MATERIALS

- **Body**
 - Cast using Red Brass (Bronze) 85-5-5-5 per ASTM B584 or B62
 - Bronze body for improved corrosion resistance
 - Open ears provide easy slip on installation and removal of nuts are not required preventing lost hardware
 - Canted ears for maximum tangential tightening of bale or strap
 - Wraparound design provides maximum pipe support, reinforcement and sealing pressure
 - Wide skirt and heavy tapping boss provides excellent stability on the pipe
- **Gasket**
 - Nitrile (Buna-N) per ASTM D2000
 - Certified to NSF/ANSI 61-G & 372 certified
 - Compounded to resist water, oil, natural gas, acids, alkalies, most (aliphatic) hydrocarbon fluids, and many other chemicals
 - Temperature range: -20°F to +180°F
 - Gasket is fully cemented in a cavity to hold it in place
- **Strap Assembly**
 - Type 304 Stainless Steel per ASTM A240
 - Formed using 14GA x 3.50" strip
 - Strap distributes load across a larger surface area preventing damage to non-rigid pipe types
 - Relevant product information placed on strap i.e. O.D. range, part number, etc.
- **Stud**
 - Type 304 Stainless Steel per ASTM A276
 - 5/8"-11UNC x 6.00" long, Stud welded to Strap
 - Rolled threads for improved physical characteristics, greater thread accuracy, and smooth surface finish
- **Welding**
 - Welds accomplished using qualified welders
 - GMAW weld process utilized
- **Nut**
 - Type 304 Stainless Steel GR. 8 per ASTM A194
 - Fluoropolymer coated to prevent galling
 - 5/8"-11UNC, Heavy Hex Semi-Finished
- **Washer**
 - Type 304 Stainless Steel per ASTM A240
 - 5/8" Type A Plain
 - Utilized to preserve corrosion resistance of epoxy coated surfaces and increase bearing surface



SPECIFICATION BRONZE SERVICE SADDLE MODEL 325

LISTINGS

- Certified to NSF/ANSI 61-G & 372
- Meets applicable AWWA C800 standards
- Certain sizes meet Uni-Bell PVC Pipe Associations “Handbook of PVC Pipe” and AWWA M23 Manual “PVC Pipe Design and Installation”, when the fitting is ordered with the body properly sized to fit the PVC pipe.

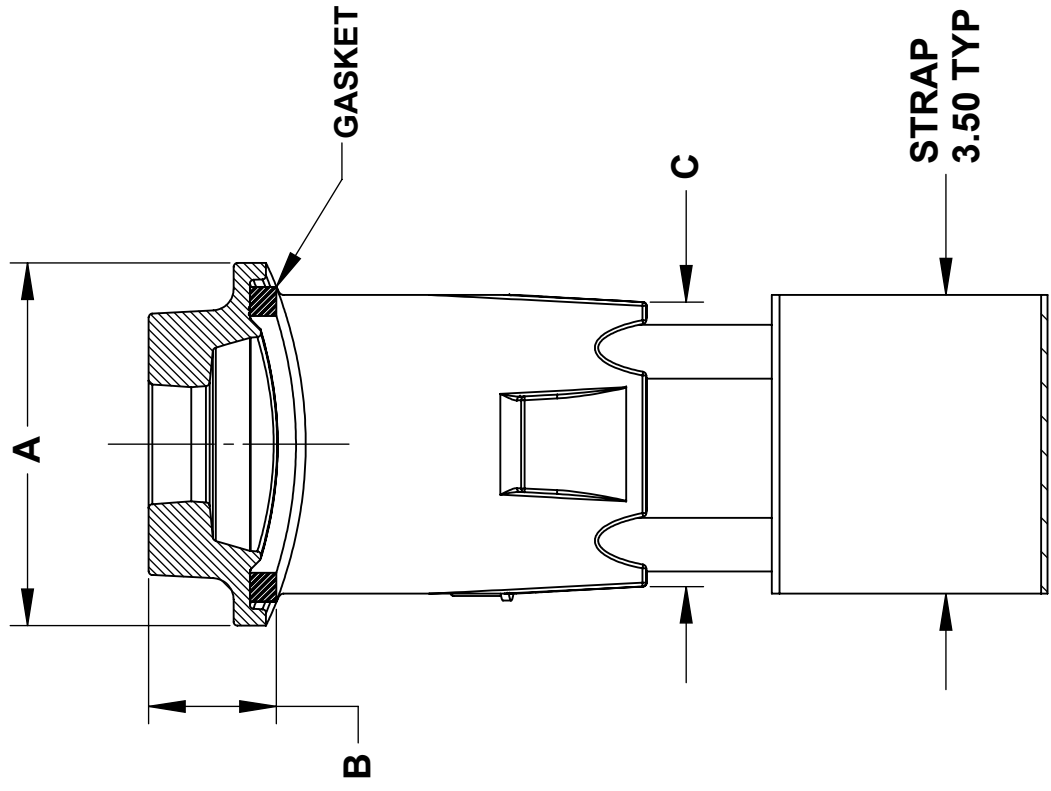
OPTIONS

- Type 316 Stainless Steel strap with fluoropolymer coated Type 316 Stainless Steel nuts to prevent galling
- Alternative gasket material (e.g. Viton, EPDM, etc.)
- Anode connector

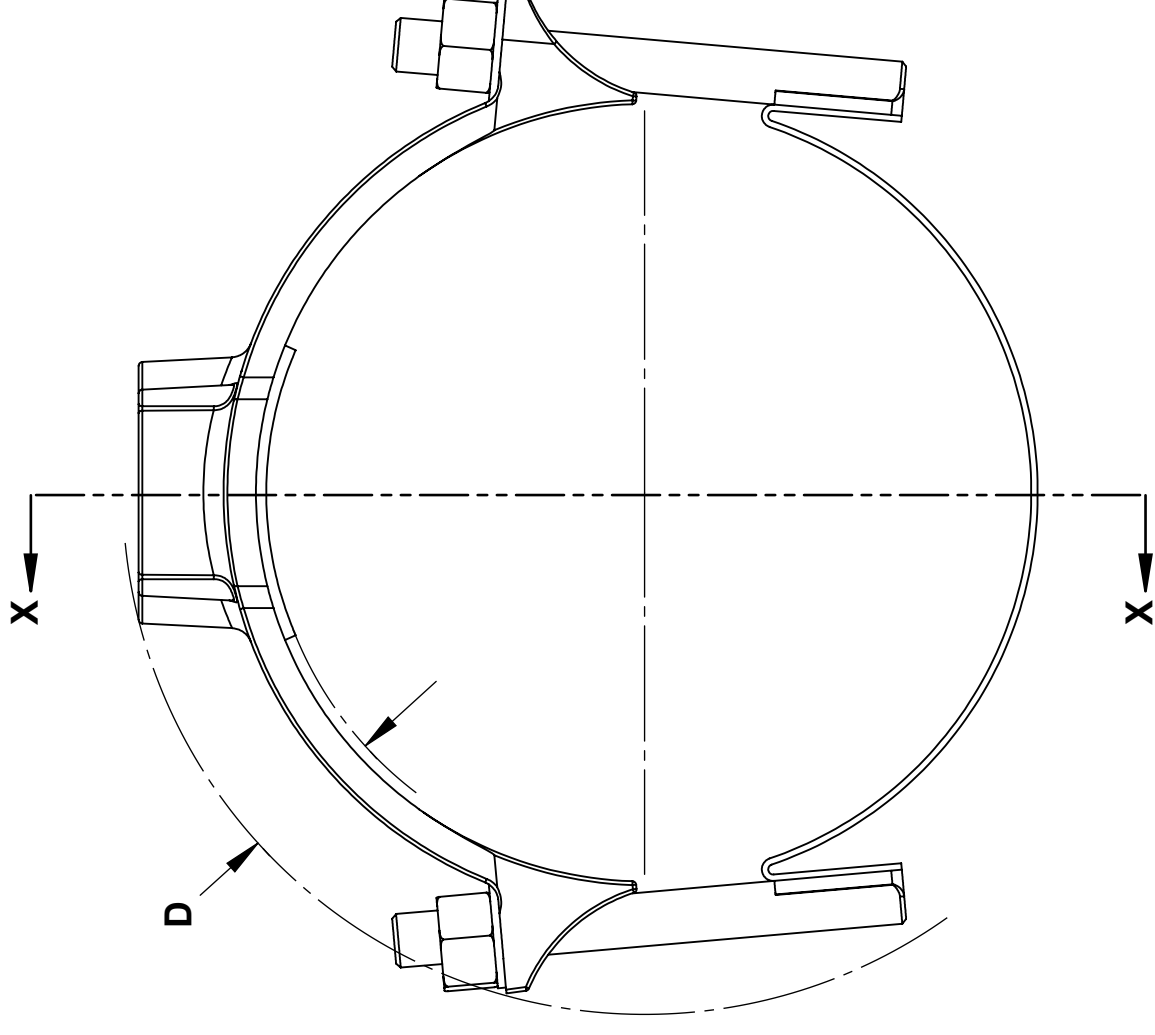
NOTES

- These product specifications were correct at the time of publication and are subject to change without notice
- See the Smith-Blair® web site for part numbers and ordering information
- See the Smith-Blair® web site for warranty information
- See the Smith-Blair® web site for corrosion warnings

30 Globe Ave, Texarkana, AR 71854
Ph: 870-773-5127 • Fax: 870-773-5212
Toll-Free Numbers: Ph: 800-643-9705 • Fax: 800-648-6792



SECTION X-X



CERTIFIED TO NSF/ANSI 61-G & 372

NOMINAL SIZE	APPROX. WT. (LB)	TAP CODE	A	B	C	D	SOCKET SIZE
4.00	6.3	ST	3.50	1.50	3.50	1.70	1-1/16"
	7.50	LT	4.25			1.80	
6.00	7.3	ST	3.50	1.50	3.50	1.70	1-1/16"
	7.9	LT	4.25			1.78	
8.00	7.90	ST	3.50	1.50	3.50	1.70	1-1/16"
	9.1	LT	4.25				
10.00	9.3	ST	3.50	1.50	3.50	1.80	1-1/16"
	10.3	LT	4.25				
12.00	10.3	ST	3.50	1.50	3.50	1.90	1-1/16"
	11.5	LT	4.25				

NOTES:

- SEE SMITH-BLAIR CATALOG FOR AVAILABLE PIPE DIAMETER AND TAP SIZE COMBINATIONS AS SOME COMBINATIONS ARE NOT AVAILABLE
- 9.05" WIDE STRAP SADDLE SHOWN OTHER SIZES SIMILAR
- ABBREVIATIONS:
ST = SMALL TAP SIZES 1/2" THRU 1-1/2"
LT = LARGE TAP SIZES 1-1/2" THRU 2-1/2"

TOLERANCES U.N.O. XX= ±.03 XXX= ±.015 FRACTIONS= 1/16 ANGLES= ±1° MACH. FIN=	NOTES: REMOVE BURRS AND SHARP EDGES DO NOT SCALE DWG.	APP'D	DATE
SCALE: N/A		CK'D	DATE
ALL DIMENSIONS ARE IN INCHES.		DRN	DATE
TITLE SPECIFICATION BRONZE SERVICE SADDLE MODEL 325		CHD	DATE
SMITH-BLAIR, Inc. TEXARKANA, ARKANSAS		P/N	DATE
SPEC_325.DRW		N/A	6/19/15
DWG. NO.		1 OF 1 SHEET	3/8/16 REV.