



RHLA

Parts List
03-October-2017



*This parts list is current as of the above revision date.
See <http://www.rheempartslists.net/92-42801-RHLA.pdf> for the current revision.*

Air Handlers

Table of Contents

Model Explanation	Page 3
Parts Numbers	
Panels - Miscellaneous (Granite-Steel Gray)	Page 4
Panels - Miscellaneous (Neutra Green)	Page 5
Blower Group	Page 6
Electrical Group	Page 6
Coil Parts	Page 7
Heater Kits	Page 7
Drawings/Photographs	
Exploded View	Page 8
Blower Assembly	Page 9
Notes	Page 10

MODEL NUMBER EXPLANATION

R	H	L	A	-	HM	18	17	J	A
1	2	3	4		5	6	7	8	9

- | | |
|--|--|
| <p>1 MODEL DESIGNATION</p> <p>2 H = AIR HANDLER</p> <p>3 L= HIGH EFFICIENCY (X-13 MOTOR)</p> <p>4 A = R-22 REFRIGERANT</p> <p>5 HM = A/C OR HP, MULTI-POSITION</p> <p>6 CAPACITY
 24 = 24,000 BTU/HR
 36 = 36,000 BTU/HR
 48 = 48,000 BTU/HR
 60 = 60,000 BTU/HR</p> | <p>7 CABINET SIZE
 17 = 17.5 in.
 21 = 21 in.
 24 = 24.5 in.</p> <p>8 VOLTAGE
 A = 115/1/60
 J = 208-240/1/60</p> <p>9 DESIGN VARIATION</p> |
|--|--|

SERIAL NUMBER EXPLANATION

M	0	7	0	1	9	9	9	9	9
1	2	3	4						

- | | |
|---|--|
| <p>1</p> <p>2</p> <p>3</p> <p>4</p> | <p>PRODUCTION LOCATION
 M = Milledgeville, GA</p> <p>WEEK OF PRODUCTION</p> <p>YEAR OF PRODUCTION</p> <p>PRODUCTION NUMBER</p> |
|---|--|

No.	Notes	MODEL CAPACITY CABINET SIZE VOLTAGE	RHLA	RHLA	RHLA	RHLA	RHLA	
			24 17 A/J	36 17 A/J	48 21 A/J	48 24 A/J	60 24 A/J	
SHEET METAL PARTS, MISCELLANEOUS (Granite/Steel Gray, On or After Date Code 0512)								
1		Cabinet	AE-100682-31	AE-100682-31	AE-100682-33	AE-100682-35	AE-100682-35	
		Insulation - Cabinet	68-101121-01	68-101121-01	68-101121-03	68-101121-04	68-101121-04	
		Insulation Retainer Rod (2)	45-102868-02	45-102868-02	45-102868-03	45-102868-04	45-102868-04	
2		Coil Door	AE-100685-32	AE-100685-32	AE-100685-34	AE-100685-36	AE-100685-36	
		Insulation - Coil Door	68-101577-06	68-101577-06	68-101577-08	68-101577-09	68-101577-09	
3		Top Cover Plate	AE-100686-31	AE-100686-31	AE-100686-32	AE-100686-33	AE-100686-33	
		Insulation - Top Cover Plate	68-101122-01	68-101122-01	68-101122-02	68-101122-03	68-101122-03	
4		Blower Door	AE-100684-31	AE-100684-31	AE-100684-32	AE-100684-33	AE-100684-33	
		Insulation - Blower Door	68-101576-01	68-101576-01	68-101576-02	68-101576-03	68-101576-03	
		Gasket (Blower and Coil Doors)	68-42246-03	68-42246-03	68-42246-03	68-42246-03	68-42246-03	
5		Access Panel	AE-101133-31	AE-101133-31	AE-101133-31	AE-101133-31	AE-101133-31	
		Insulation - Access Panel	68-101644-01	68-101644-01	68-101644-01	68-101644-01	68-101644-01	
6		Drain Pan - Vertical	See RCSA Coil Parts List					
7		Drain Pan - Horizontal	See RCSA Coil Parts List					
8		Plate - Block Off	AE-100455-01	AE-100455-01	AE-100455-01	AE-100455-01	AE-100455-01	
9		Cabinet Brace	AE-101134-02	AE-101134-02	AE-101134-03	AE-101134-04	AE-101134-04	
10		Middle Brace	AE-101054-01	AE-101054-01	AE-101054-02	AE-101054-03	AE-101054-03	
13a		Heat Barrier	AE-100683-02	AE-100683-03	AE-100683-06	AE-100683-08	AE-100683-08	
13b		Heat Barrier Side (2)	AE-104241-01	AE-104241-01	AE-104241-01	AE-104241-01	AE-104241-01	

No.	Notes	MODEL CAPACITY CABINET SIZE VOLTAGE	RHLA	RHLA	RHLA	RHLA	RHLA	
			24 17 A/J	36 17 A/J	48 21 A/J	48 24 A/J	60 24 A/J	
SHEET METAL PARTS, MISCELLANEOUS (Neutra Green, Before Date Code 0512)								
1		Cabinet	AE-100682-01	AE-100682-01	AE-100682-03	AE-100682-05	AE-100682-05	
		Insulation - Cabinet	68-101121-01	68-101121-01	68-101121-03	68-101121-04	68-101121-04	
		Insulation Retainer Rod (2)	45-102868-02	45-102868-02	45-102868-03	45-102868-04	45-102868-04	
2		Coil Door	AE-100685-02	AE-100685-02	AE-100685-04	AE-100685-06	AE-100685-06	
		Insulation - Coil Door	68-101577-06	68-101577-06	68-101577-08	68-101577-09	68-101577-09	
3		Top Cover Plate	AE-100686-01	AE-100686-01	AE-100686-02	AE-100686-03	AE-100686-03	
		Insulation - Top Cover Plate	68-101122-01	68-101122-01	68-101122-02	68-101122-03	68-101122-03	
4		Blower Door	AE-100684-01	AE-100684-01	AE-100684-02	AE-100684-03	AE-100684-03	
		Insulation - Blower Door	68-101576-01	68-101576-01	68-101576-02	68-101576-03	68-101576-03	
		Gasket (Blower and Coil Doors)	68-42246-03	68-42246-03	68-42246-03	68-42246-03	68-42246-03	
5		Access Panel	AE-101133-01	AE-101133-01	AE-101133-01	AE-101133-01	AE-101133-01	
		Insulation - Access Panel	68-101644-01	68-101644-01	68-101644-01	68-101644-01	68-101644-01	
6		Drain Pan - Vertical	See RCSA Coil Parts List					
7		Drain Pan - Horizontal	See RCSA Coil Parts List					
8		Plate - Block Off	AE-100455-01	AE-100455-01	AE-100455-01	AE-100455-01	AE-100455-01	
9		Cabinet Brace	AE-101134-02	AE-101134-02	AE-101134-03	AE-101134-04	AE-101134-04	
10		Middle Brace	AE-101054-01	AE-101054-01	AE-101054-02	AE-101054-03	AE-101054-03	
13a		Heat Barrier	AE-100683-02	AE-100683-03	AE-100683-06	AE-100683-08	AE-100683-08	
13b		Heat Barrier Side (2)	AE-104241-01	AE-104241-01	AE-104241-01	AE-104241-01	AE-104241-01	

No.	Notes	MODEL CAPACITY CABINET SIZE VOLTAGE	RHLA	RHLA	RHLA	RHLA	RHLA
			24 17 A	24 17 J	36 17 A	36 17 J	48 21 A
ELECTRICAL GROUP							
17	Stk	Transformer	46-101944-02	46-101905-02	46-101944-02	46-101905-02	46-101944-02
		Power Factor Choke	N/A	N/A	N/A	N/A	46-24256-04
18	Stk	Control Board	47-102077-02	47-102077-02	47-102077-02	47-102077-02	47-102077-02
	Stk	Fuse - Control Board	44-101986-01	44-101986-01	44-101986-01	44-101986-01	44-101986-01
		Wiring Harness - 6 pin to 6 strip leads (For T-Stat)	45-101891-01	45-101891-01	45-101891-01	45-101891-01	45-101891-01
11		Terminal Block	45-23222-02	45-23222-02	45-23222-02	45-23222-02	45-23222-02

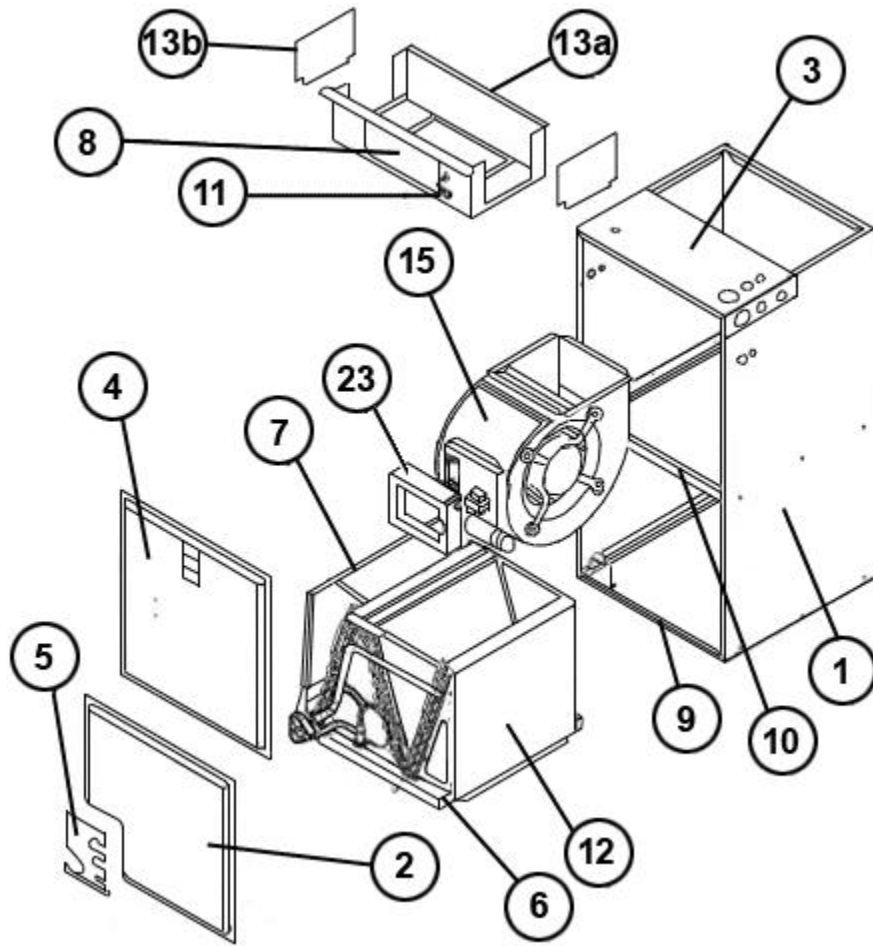
No.	Notes	MODEL CAPACITY CABINET SIZE VOLTAGE	RHLA	RHLA	RHLA	RHLA	RHLA
			48 21 J	48 24 A	48 24 J	60 24 A	60 24 J
ELECTRICAL GROUP							
17	Stk	Transformer	46-101905-02	46-101944-02	46-101905-02	46-101944-02	46-101905-02
		Power Factor Choke	N/A	46-24256-04	N/A	46-24256-04	N/A
18	Stk	Control Board	47-102077-02	47-102077-02	47-102077-02	47-102077-02	47-102077-02
	Stk	Fuse - Control Board	44-101986-01	44-101986-01	44-101986-01	44-101986-01	44-101986-01
		Wiring Harness - 6 pin to 6 strip leads (For T-Stat)	45-101891-01	45-101891-01	45-101891-01	45-101891-01	45-101891-01
11		Terminal Block	45-23222-02	45-23222-02	45-23222-02	45-23222-02	45-23222-02

No.	Notes	MODEL CAPACITY CABINET SIZE VOLTAGE	RHLA	RHLA	RHLA	RHLA	RHLA
			24 17 A	24 17 J	36 17 A	36 17 J	48 21 A
BLOWER GROUP							
15	Stk	Blower Assembly (Includes items 16-22)	AS-101930-01	AS-101886-01	AS-101930-02	AS-101886-02	AS-101930-03
16		Mounting Bracket - Control Board	AE-101049-01	AE-101049-01	AE-101049-01	AE-101049-01	AE-101049-01
17		Transformer	See Electrical Group				
18		Control Board	See Electrical Group				
19		Blower Housing w/Wheel	70-101729-01	70-101729-01	70-101729-02	70-101729-02	70-101729-03
	Stk	Blower Wheel	703012	703012	703014	703014	703013
20		Motor Mount - Band	70-19927-04	70-19927-04	70-19927-04	70-19927-04	70-19927-04
21		Motor Mount - Arm (4)	70-19929-10	70-19929-10	70-19929-10	70-19929-10	70-19929-10
22	Stk	Blower Motor (X-13)	51-102171-01	51-101879-01	51-102172-01	51-101880-01	51-102173-01
23		Mounting Bracket Cover	AE-101797-01	AE-101797-01	AE-101797-01	AE-101797-01	AE-101797-01

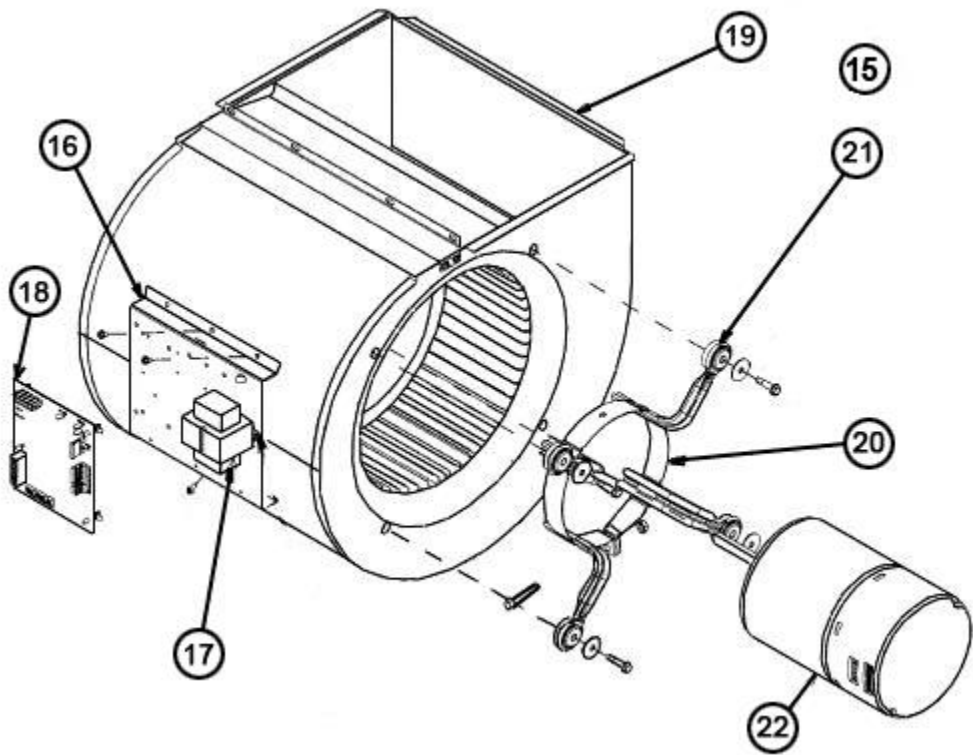
No.	Notes	MODEL CAPACITY CABINET SIZE VOLTAGE	RHLA	RHLA	RHLA	RHLA	RHLA
			48 21 J	48 24 A	48 24 J	60 24 A	60 24 J
BLOWER GROUP							
15	Stk	Blower Assembly (Includes items 16-22)	AS-101886-03	AS-101930-04	AS-101886-04	AS-101930-04	AS-101886-04
16		Mounting Bracket - Control Board	AE-101049-01	AE-101049-01	AE-101049-01	AE-101049-01	AE-101049-01
17		Transformer	See Electrical Group				
18		Control Board	See Electrical Group				
19		Blower Housing w/Wheel	70-101729-03	70-101729-04	70-101729-04	70-101729-04	70-101729-04
	Stk	Blower Wheel	703013	703015	703015	703015	703015
20		Motor Mount - Band	70-19927-04	70-19927-04	70-19927-04	70-19927-04	70-19927-04
21		Motor Mount - Arm (4)	70-19929-10	70-19929-10	70-19929-10	70-19929-10	70-19929-10
22	Stk	Blower Motor (X-13)	51-101920-01	51-102173-02	51-101920-02	51-102173-02	51-101920-02
23		Mounting Bracket Cover	AE-101797-01	AE-101797-01	AE-101797-01	AE-101797-01	AE-101797-01

No.	Notes	MODEL	RHLA	RHLA	RHLA	RHLA	RHLA
		CAPACITY	24	36	48	48	60
		CABINET SIZE	17	17	21	24	24
		VOLTAGE	A/J	A/J	A/J	A/J	A/J
COIL GROUP							
12	Replacement Coil w/TXV		RCSA-HM2417AU	RCSA-HM3617AU	RCSA-HM4821AU	RCSA-HM4824AU	RCSA-HM6024AU
	Drain Pan	See specified RCSA Coil Parts List					
	TXV	See specified RCSA Coil Parts List					

No.	Notes	MODEL	RHLA	RHLA	RHLA	RHLA	RHLA
		CAPACITY	24	36	48	48	60
		CABINET SIZE	17	17	21	24	24
		VOLTAGE	J	J	J	J	J
HEATER KITS							
	Heater Kit - 3kW/208-240/1		RXBH-17A03J RXBH-1724A03J RXBH-1724B03J RXBH-1724C03J	RXBH-17A03J RXBH-1724A03J RXBH-1724B03J RXBH-1724C03J	N/A	N/A	N/A
	Heater Kit - 5kW/208-240/1		RXBH-17A05J RXBH-1724A05J RXBH-1724B05J RXBH-1724C05J	RXBH-17A05J RXBH-1724A05J RXBH-1724B05J RXBH-1724C05J	RXBH-24A05J RXBH-1724A05J RXBH-1724B05J RXBH-1724C05J	RXBH-24A05J RXBH-1724A05J RXBH-1724B05J RXBH-1724C05J	RXBH-24A05J RXBH-1724A05J RXBH-1724B05J RXBH-1724C05J
	Heater Kit - 7kW/208-240/1		RXBH-17A07J RXBH-1724A07J RXBH-1724B07J RXBH-1724C07J	RXBH-17A07J RXBH-1724A07J RXBH-1724B07J RXBH-1724C07J	RXBH-24A07J RXBH-1724A07J RXBH-1724B07J RXBH-1724C07J	RXBH-24A07J RXBH-1724A07J RXBH-1724B07J RXBH-1724C07J	RXBH-24A07J RXBH-1724A07J RXBH-1724B07J RXBH-1724C07J
	Heater Kit - 10kW/208-240/1		RXBH-17A10J RXBH-1724A10J RXBH-1724B10J RXBH-1724C10J	RXBH-17A10J RXBH-1724A10J RXBH-1724B10J RXBH-1724C10J	RXBH-24A10J RXBH-1724A10J RXBH-1724B10J RXBH-1724C10J	RXBH-24A10J RXBH-1724A10J RXBH-1724B10J RXBH-1724C10J	RXBH-24A10J RXBH-1724A10J RXBH-1724B10J RXBH-1724C10J
	Heater Kit - 13kW/208-240/1		RXBH-17A13J RXBH-1724A13J	RXBH-17A13J RXBH-1724A13J	N/A	N/A	N/A
	Heater Kit - 15kW/208-240/1		N/A	RXBH-17A15J RXBH-1724A15J	RXBH-24A15J RXBH-1724A15J	RXBH-24A15J RXBH-1724A15J	RXBH-24A15J RXBH-1724A15J
	Heater Kit - 18kW/208-240/1		N/A	RXBH-17A18J RXBH-1724A18J	RXBH-24A18J RXBH-1724A18J	RXBH-24A18J RXBH-1724A18J	RXBH-24A18J RXBH-1724A18J
	Heater Kit - 20kW/208-240/1		N/A	N/A	RXBH-24A20J	RXBH-24A20J	RXBH-24A20J
	Heater Kit - 25kW/208-240/1		N/A	N/A	RXBH-24A25J	RXBH-24A25J	RXBH-24A25J
	Heater Kit - 30kW/208-240/1		N/A	N/A	N/A	RXBH-24A30J	RXBH-24A30J
	Heater Kit - 7kW/208-240/3		RXBH-17A07C RXBH-1724A07C	RXBH-17A07C RXBH-1724A07C	RXBH-24A07C RXBH-1724A07C	RXBH-24A07C RXBH-1724A07C	RXBH-24A07C RXBH-1724A07C
	Heater Kit - 10kW/208-240/3		RXBH-17A10C RXBH-1724A10C	RXBH-17A10C RXBH-1724A10C	RXBH-24A10C RXBH-1724A10C	RXBH-24A10C RXBH-1724A10C	RXBH-24A10C RXBH-1724A10C
	Heater Kit - 13kW/208-240/3		RXBH-17A13C RXBH-1724A13C	RXBH-17A13C RXBH-1724A13C	N/A	N/A	N/A
	Heater Kit - 15kW/208-240/3		N/A	RXBH-17A15C RXBH-1724A15C	RXBH-24A15C RXBH-1724A15C	RXBH-24A15C RXBH-1724A15C	RXBH-24A15C RXBH-1724A15C
	Heater Kit - 18kW/208-240/3		N/A	RXBH-17A18C RXBH-1724A18C	RXBH-24A18C RXBH-1724A18C	RXBH-24A18C RXBH-1724A18C	RXBH-24A18C RXBH-1724A18C
	Heater Kit - 20kW/208-240/3		N/A	N/A	RXBH-24A20C	RXBH-24A20C	RXBH-24A20C
	Heater Kit - 25kW/208-240/3		N/A	N/A	RXBH-24A25C	RXBH-24A25C	RXBH-24A25C
	Heater Kit - 30kW/208-240/3		N/A	N/A	N/A	RXBH-24A30C	RXBH-24A30C



Exploded View



Blower Assembly

NOTES

Stk It is recommended that stock be maintained for this part.
N/A Not Applicable