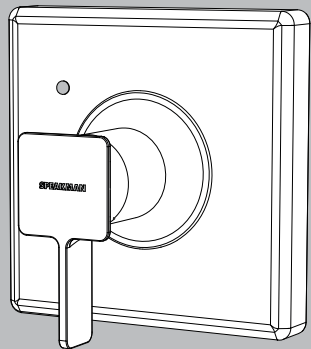
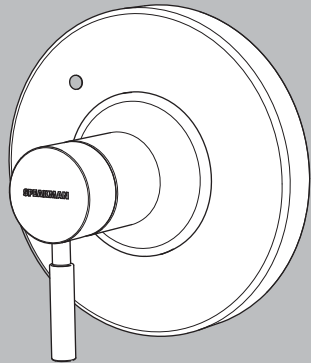


INSTRUCTIONS FOR MODELS

CPT-1000-UNI
CPT-1300-UNI
Kohler Installation



NEED HELP?

For additional assistance or service please contact:

SPEAKMAN® Company
400 Anchor Mill Road
New Castle, DE 19720

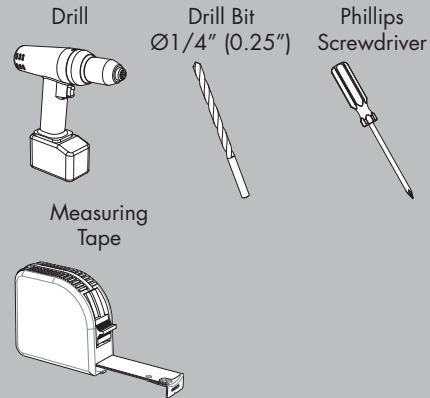
800-537-2107

customerservice@speakman.com

www.speakman.com

92-CPT-1000-UNI-K-R2

TOOLS AND SUPPLIES



IMPORTANT

• **Verify that existing Valve is installed correctly per manufacturers instructions. If valve is not installed correctly, installation of the Universal Valve Trim may not be possible.**

• Circular Trim Package shown for reference. While the appearance of your trim may be different, the installation steps are the same.

• This Trim Package is intended to mount only to the following Kohler valves. Please verify the model of your valve prior to installation.

K-304-CS-NA
K-304-CX-NA
K-304-PS-NA
K-304-PX-NA
K-304-US-NA
K-304-UX-NA
K-304-K-NA
K-304-KS-NA

SAFETY TIPS

Cover your drain to prevent loss of parts. Be sure to always wear proper eye protection.

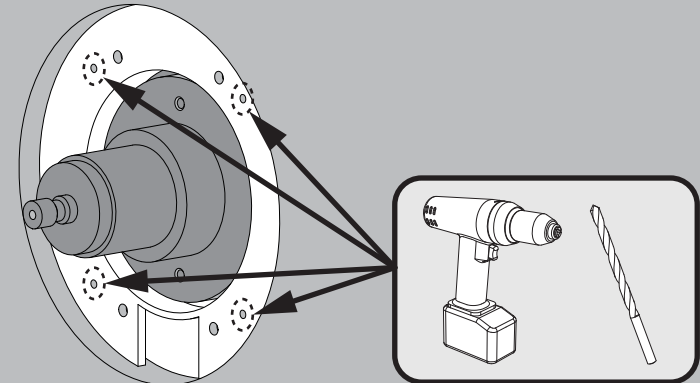
MAINTENANCE

Your new Valve Trim is designed for years of trouble-free performance. Keep it looking new by cleaning it periodically with a soft cloth. Avoid abrasive cleaners, steel wool, and harsh chemicals as these will dull the finish and void your warranty.

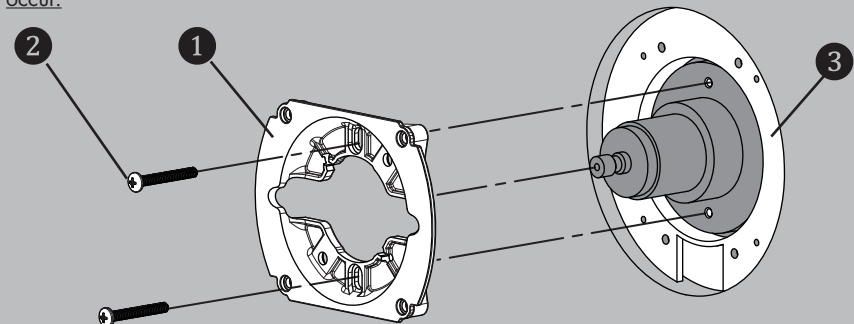
WARRANTY

Additional warranty information can be found at: www.speakman.com

1 Using a Ø1/4" (Ø.25") Drill Bit, enlarge the 4 holes shown below in the existing Kohler Mounting Flange.

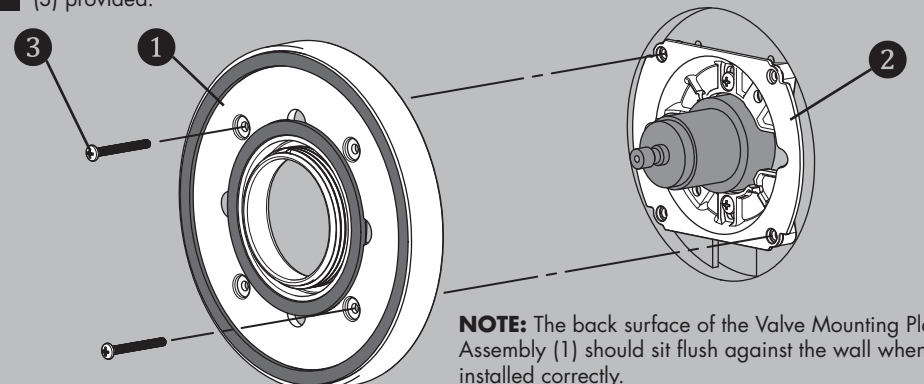


2 Clean front surface of wall. Install Valve Mounting Plate (1) to existing Kohler Valve, using the 10-24 x 1-1/2" screws (2) provided. Take care to not over tighten mounting screws or damage may occur.



NOTE: Valve Mounting Plate (1) should sit flush upon Kohler Mounting Flange (3) when secured.

3 Secure the Wall Mounting Plate (1) to the Valve Mounting Plate (2) using the 8-32 X 1-1/2" Screws (3) provided.

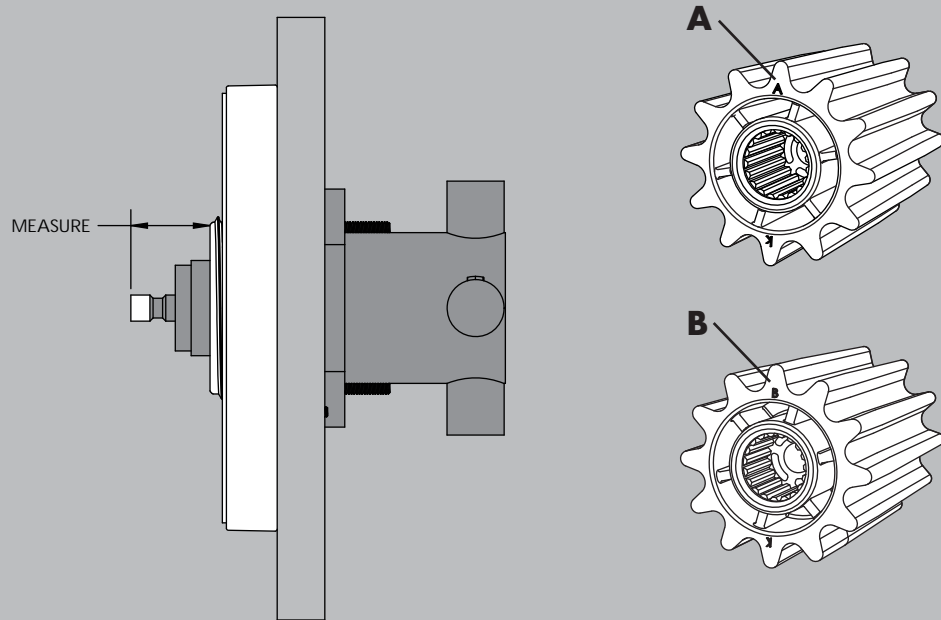


NOTE: The back surface of the Valve Mounting Plate Assembly (1) should sit flush against the wall when installed correctly.

4

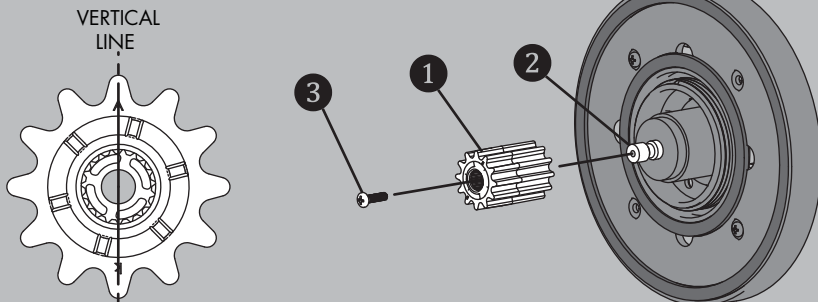
The Universal Valve Trim kit includes two (2) Spindle Adapters that allow for both shallow and deep valve mount installations. Measure the distance between the front lip of the Wall Mounting Plate and the end of the Kohler Spindle as shown below to determine which Spindle Adapter is to be used.

- If the measurement falls between **7/8" to 1-1/4"**, then Spine Adapter marked **"B"** is to be used for installation.
- If the measurement falls between **1-1/4" to 1-5/8"**, then Spine Adapter marked **"A"** is to be used for installation.



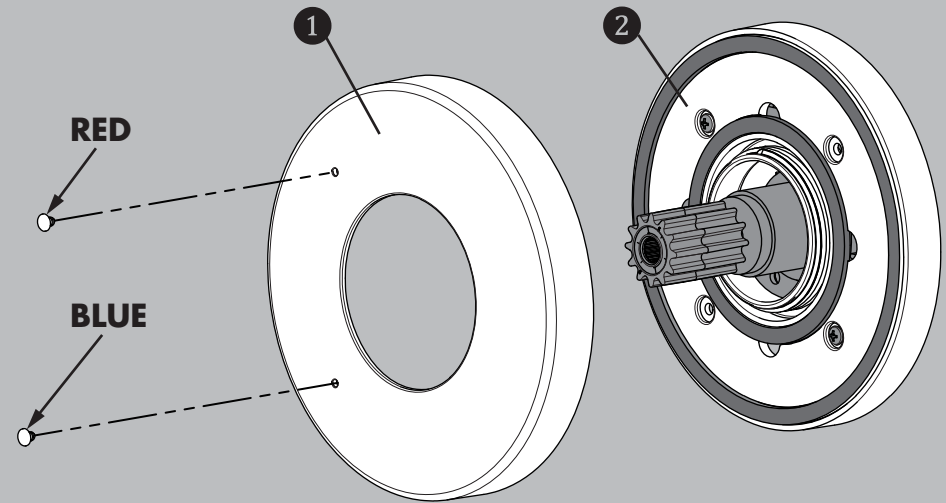
5

Confirm that the Valve is in the off position. Retrieve Spine Adapter to be used as determined in Step 4. Insert Spine Adapter (1) over Kohler spindle (2). One set of splines on the adapter must be oriented perfectly vertical when installed, as shown below. Secure the Spine Adapter with the 8-32 X 7/8" Screw (3) provided.



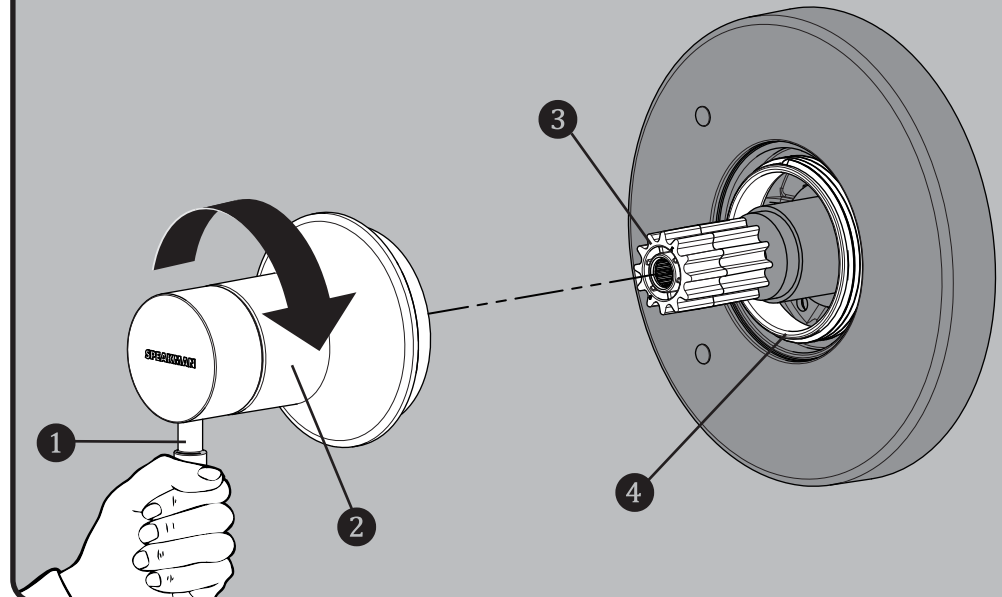
6

Orient the Decorative Wall Plate (1) as shown below and insert the RED index button into the top hole of the Wall Plate, and the BLUE index button into the lower hole. Slide Wall Plate Assembly over Wall Mounting Plate (2).



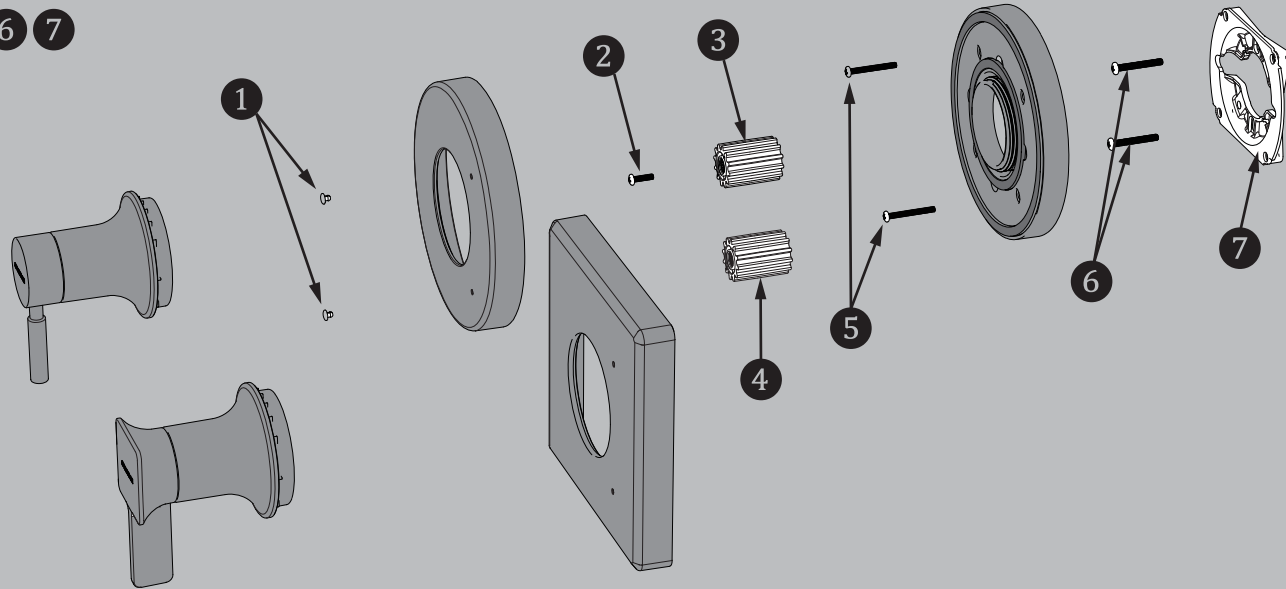
7

Orient the Handle Assembly in a vertical position as shown below. Guide Handle Assembly onto the Spine Adapter (3). While holding the Handle (1) stationary in the vertical position, thread the Handle Escutcheon (2) onto the Wall Mounting Plate (4). Hand tighten until snug.

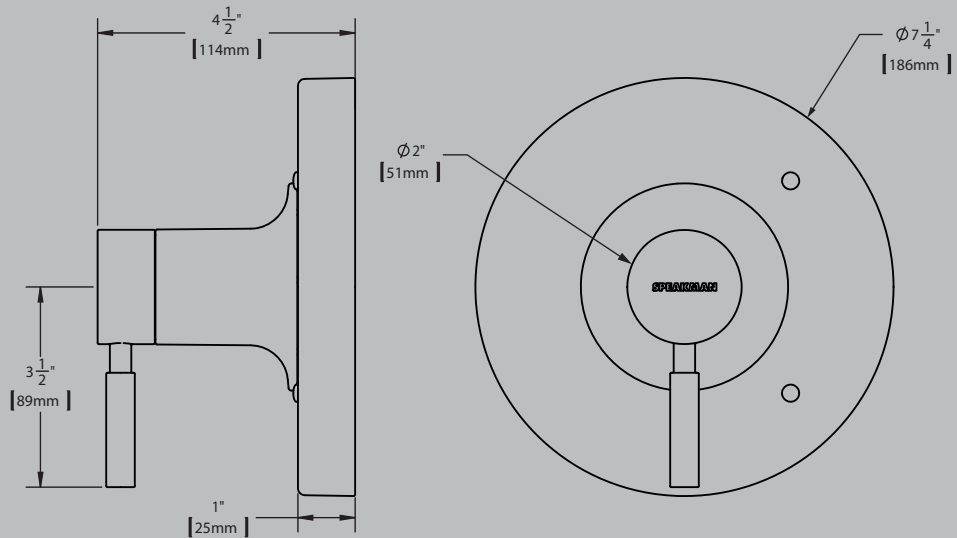


REPAIR PARTS

•RPG10-0114 1 2 3 4 5 6 7

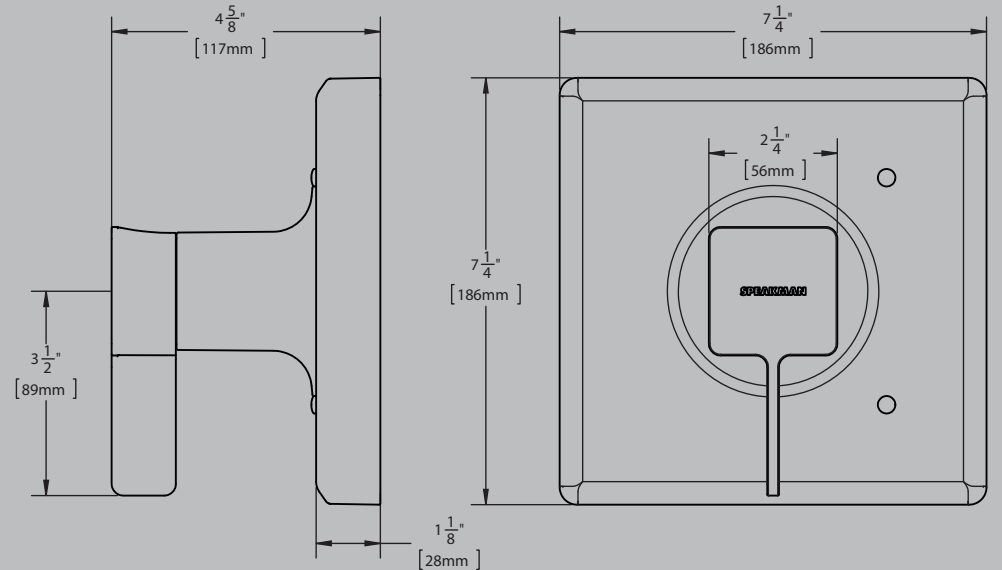


ROUGH-IN DIMENSIONS: CPT-1000-UNI



•Dimensions are subject to change without notice.

ROUGH-IN DIMENSIONS: CPT-1300-UNI



•Dimensions are subject to change without notice.