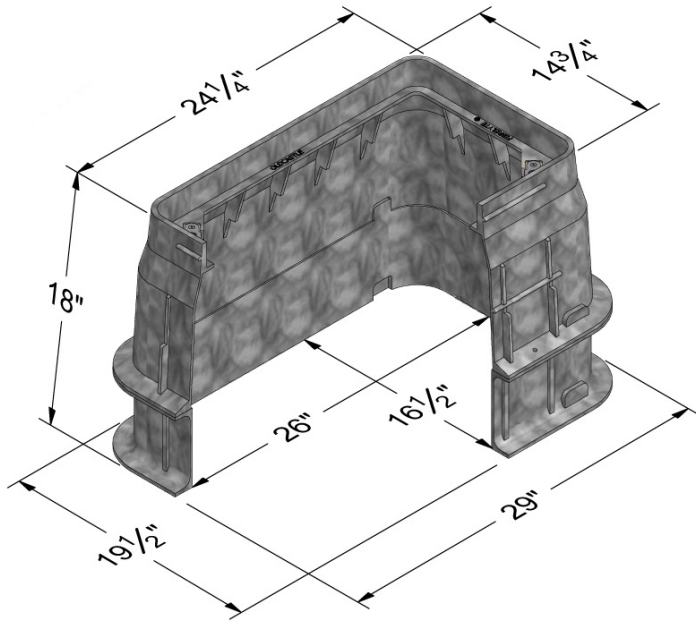


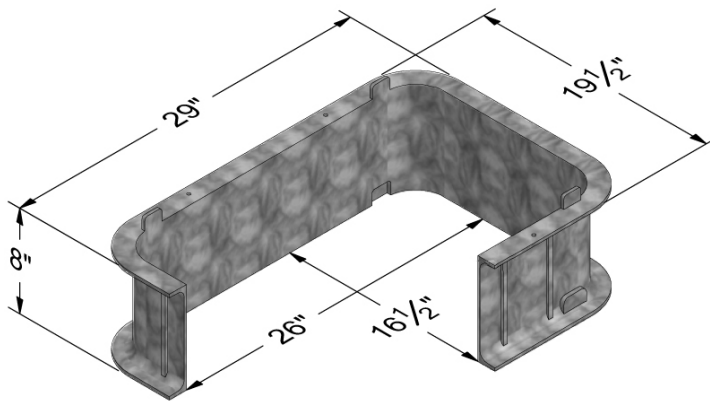
COVER

Material: Composite
 Style: Flush Solid
 Model: 13" x 14"
 Weight: 20 lbs
 Std. Fasteners: 3/8-16 Stainless Steel Hex Head Bolt, Washer and Floating Nut
 Surface: Slip Resistant
 Performance: ANSI/SCTE-77, Tier 8



BODY

Material: Composite
 Model: 13" x 14"
 Weight: 12" Depth: 26 lbs
 18" Depth: 35 lbs
 20" Depth: 36 lbs
 Wall Type: Flared
 Performance: ANSI/SCTE-77, Tier 8



EXTENSION

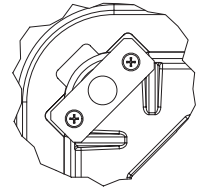
Material: Composite
 Size: 6", 8"
 Performance: ANSI/SCTE-77, Tier 8



MEDIUM DUTY
ANSI/SCTE TIER 8

For use in non-vehicular traffic situations only. Weights and dimensions may vary slightly. Actual load rating is determined by the box and cover combination.

OPTIONS



Available Covers: • Composite, Flush Solid

Detail: Bolt Down



Fasteners: • Hex Head Bolt
• Penta Head Bolt
• Oldcastle Vandal Resistant Bolt
• Captive Bolt Retainer
• L Bolt

Add On Options: • Logos and Special Markings
• Mouseholes/Knockouts

RAW MATERIAL SPECIFICATION

BODY : Material Property	Test Method	Typical Value ¹
Density	ASTM D1505	0.960 to 0.980, g/cm ³
Tensile Strength, at break	ASTM D638	5,500 to 7,700 psi
Flexural Modulus	ASTM D790	400,000 to 500,000 psi
Impact Resistance	ASTM D5420	60.0 in-lb
COVER : Material Property	Test Method	Typical Value ¹
Compressive Strength	ASTM C170	11,000 to 14,000 psi
Flexural Strength	ASTM D740	3,200 to 3,600 psi
Density	ASTM C128	143 to 150 lb/ft ³
Water Absorption	ASTM D570	0.24 to 0.50 %
Fire Resistance mm/min	ASTM D635	Self-extinguishing
Scaling resistance of concrete surfaces exposed to deicing chemicals	ASTM D543	No significant change

¹ The values listed for physical property measurements are nominal values only. Certain physical property measurements are subject to variations consistent with the test methods and are within a generally accepted range for such values.

 **WARNING:** Cancer - www.P65Warnings.ca.gov

All information contained on this sheet is current at the time of publication. Oldcastle reserves the right to discontinue or update product information without notice.

Revision 01/17/19
© 2019 Oldcastle Infrastructure, Inc.