

# WINGITS®

## INFINITE Elegance™

### Mitered Double Robe Hook

Model:

# WIEDRHH

Part Numbers:

**WIEDRHPS**  
Polished Finish

**WIEDRHSN**  
Satin Finish

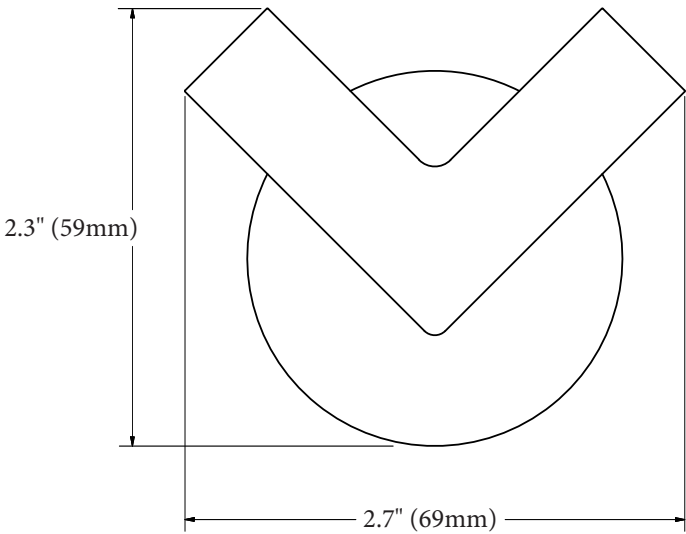


**Features:**

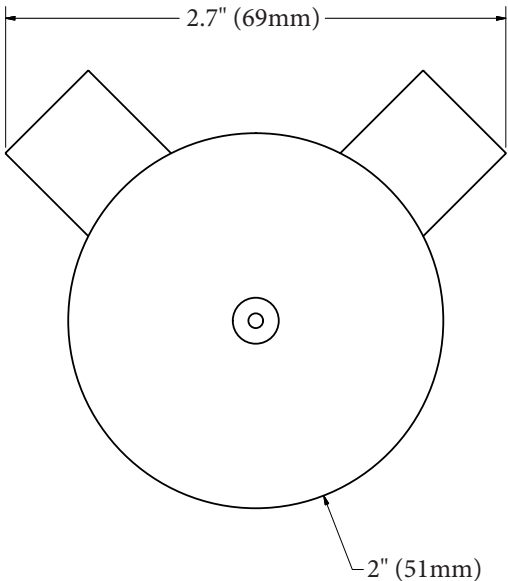
- Fully HeliArc® welded Structural Stainless Steel sculpted for Beauty, Function & Durability
- No Lines for Dirt to Collect - Maintenance Free
- Hand Polished Stainless Steel

<b>MECHANICAL DATA</b>
Length: 2.7" (69mm)
Depth: 2.5" (64mm)
Height: 2.3" (59mm)
Tube Diameter: 0.625" (16mm)
<b>COMPOSITION</b>
18-8 (304) Stainless Steel
<b>INSTALLATION</b>
Includes Stainless Steel Screws to Install into <b>Adequate Structural Blocking</b> . Includes 3M® VHB Waterproof Tape. Can Be Installed with WINGITS® Fasteners when blocking is not available.
<b>RECOMMENDED INTEGRATION</b>
<b>PROPER INSTALLATION REQUIRES</b> use of 3M® VHB Waterproof Tape to stop rotation and <b>MUST</b> be installed into <b>Adequate Structural Blocking</b> or with optional WINGITS® Fasteners. WINGITS® INFINITE™ design is available in all Bath Accessories.

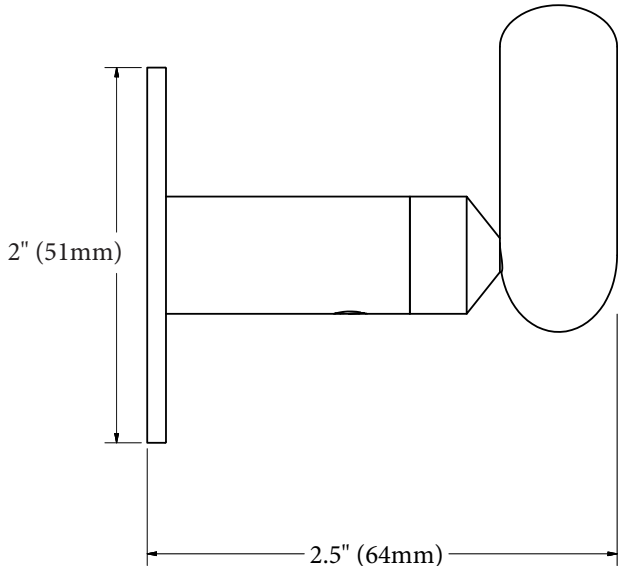
Front



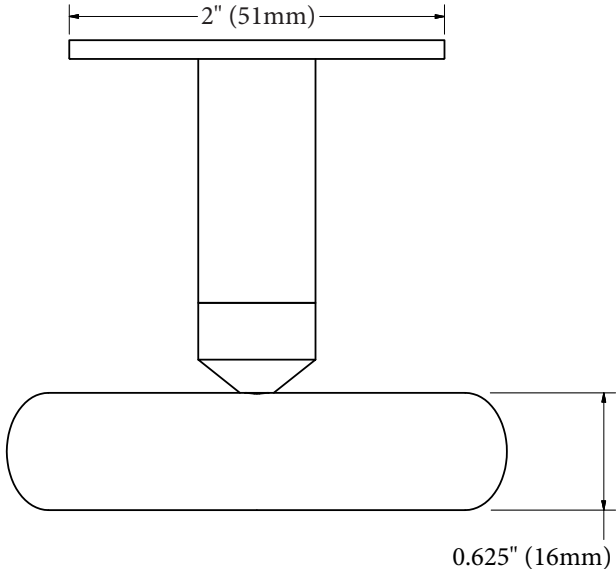
Back



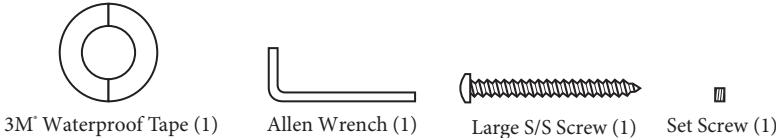
Side



Top



Included Hardware



Optional Hardware  
(Sold Separately)

