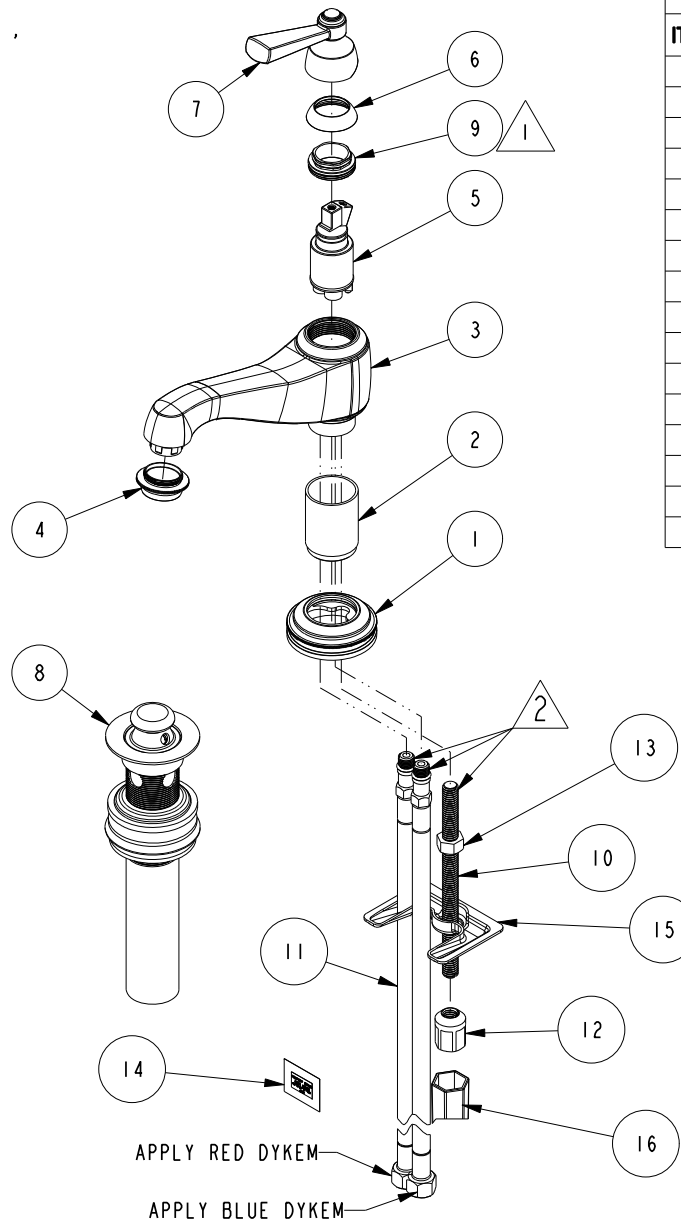


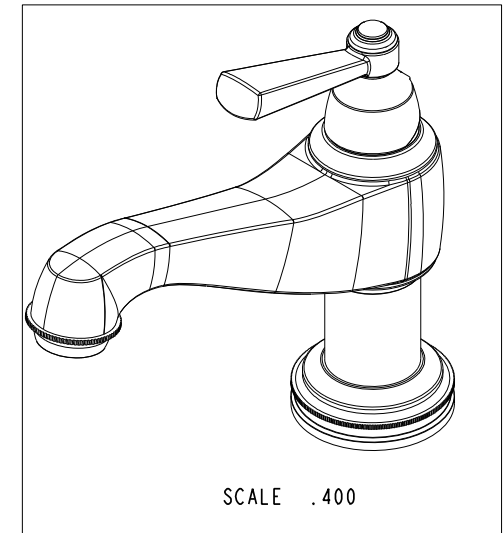
1 WHEN TIGHTENING ITEM 9 IN ASSY ,  
APPLY 50-60 LB-IN OF TORQUE

2 APPLY LOCTITE 680



**BILL OF MATERIAL (CURRENT LEVEL)**

ITEM	PT/ASSY	DESCRIPTION	TYPE	QTY.
1	2-828	SPOUT BASE ASM	ASSEMBLY	1
2	12028	SPOUT STEM	PART	1
3	12022	SPOUT BODY	PART	1
4	2-628	AERATOR, 1.5 GPM	ASSEMBLY	1
5	1-259	MIXING VALVE - FX25	ASSEMBLY	1
6	12034	DECORATIVE CAP	PART	1
7	2-836	LEVER ASM	ASSEMBLY	1
8	320	DRAIN - LIFT & TURN	ASSEMBLY	1
9	1-275	CARTRIDGE RETAINER ASSEMBLY	ASSEMBLY	1
10	11281	MOUNTING STUD	PART	1
11	11892	SUPPLY LINE CONNECTOR ASM	PART	2
12	11285	MOUNTING NUT	PART	1
13	92513	NUT, 3/8-16 X 9/16 WIDTH X 21/64 THK, HEX SS	PART	1
14	98109	NEWPORT BRASS LABEL	PART	1
15	11280	MOUNTING BRACKET	PART	1
16	92297	INSTALLATION TOOL, WRENCH	PART	1



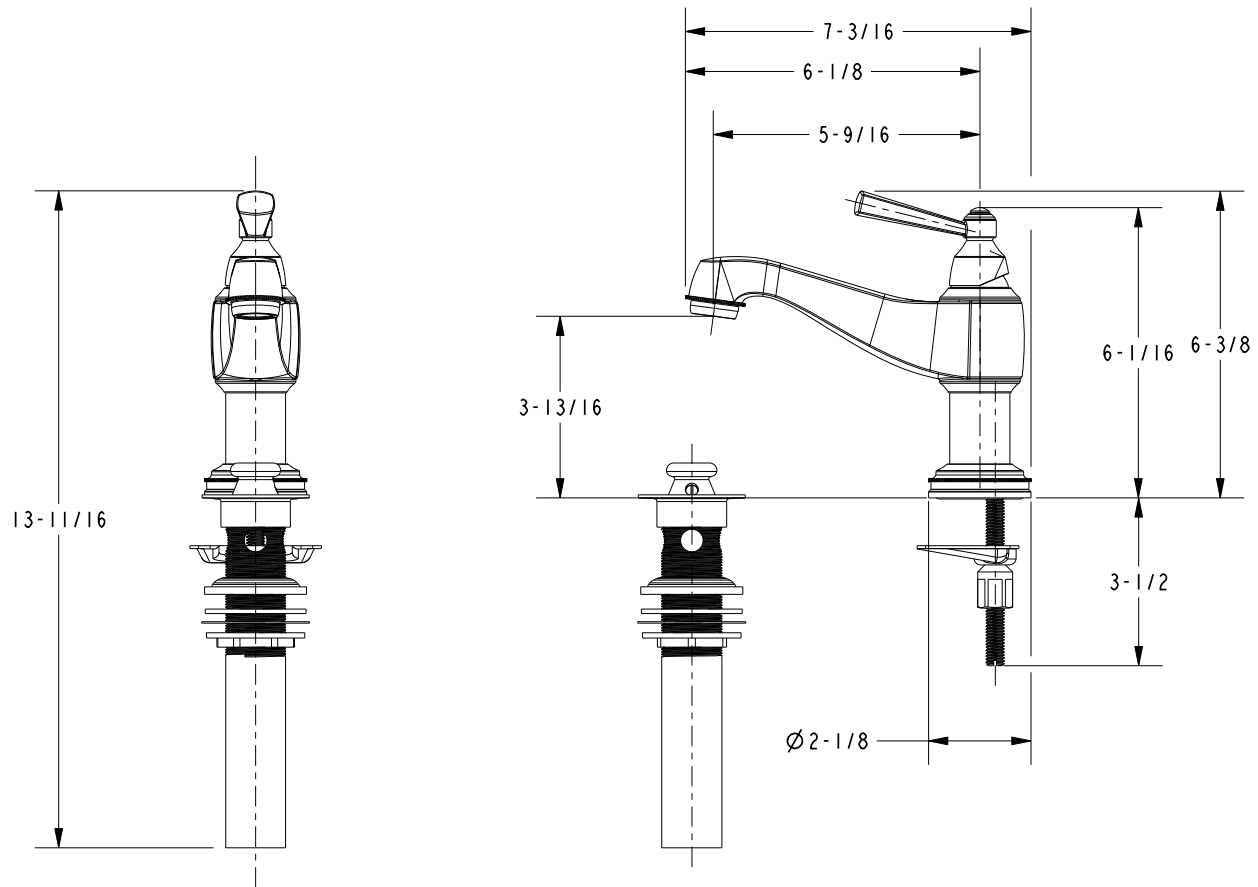
COPYRIGHT 2005 BRASSTECH, INC. THESE DRAWINGS AND THE DESIGNS DEPICTED HEREIN ARE THE PROPRIETARY PROPERTY OF BRASSTECH. ANY USE OR REPRODUCTION IS SUBJECT TO THE EXPRESS APPROVAL OF BRASSTECH. UNAUTHORIZED USE IS STRICTLY PROHIBITED. ALL RIGHTS RESERVED.

**BRASSTECH**  
INCORPORATED  
2001 E. CARNEGIE AVE.  
SANTA ANA, CA 92705  
(949) 417-5207

SINGLE HOLE LAVATORY FAUCET

ASSY. NO.		A	EN-2583	08/14/13
1623		-	EN-1883	04/11/12
SCALE .220	REF.	SHEET 1 OF 2	REV	REV DESC
				DATE

**SPECIFICATION DWG**



DIMENSIONS ARE IN INCHES AND AN APPROXIMATION OF A TYPICAL INSTALLATION

COPYRIGHT 2005 BRASSTECH, INC. THESE DRAWINGS AND THE DESIGNS DEPICTED HEREIN ARE THE PROPRIETARY PROPERTY OF BRASSTECH. ANY USE OR REPRODUCTION IS SUBJECT TO THE EXPRESS APPROVAL OF BRASSTECH. UNAUTHORIZED USE IS STRICTLY PROHIBITED. ALL RIGHTS RESERVED.

**BRASSTECH** 2001 CARNEGIE AVE.  
INCORPORATED SANTA ANA, CA 92705  
(949) 417-5207

DWG NO.	1623	REV	A
SCALE	.250	REF.	SHEET 2 OF 2