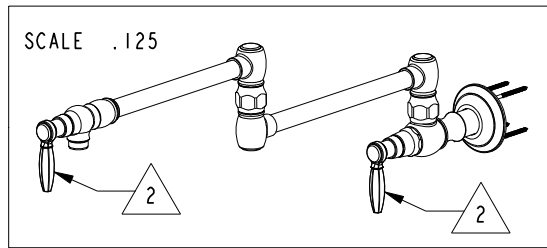


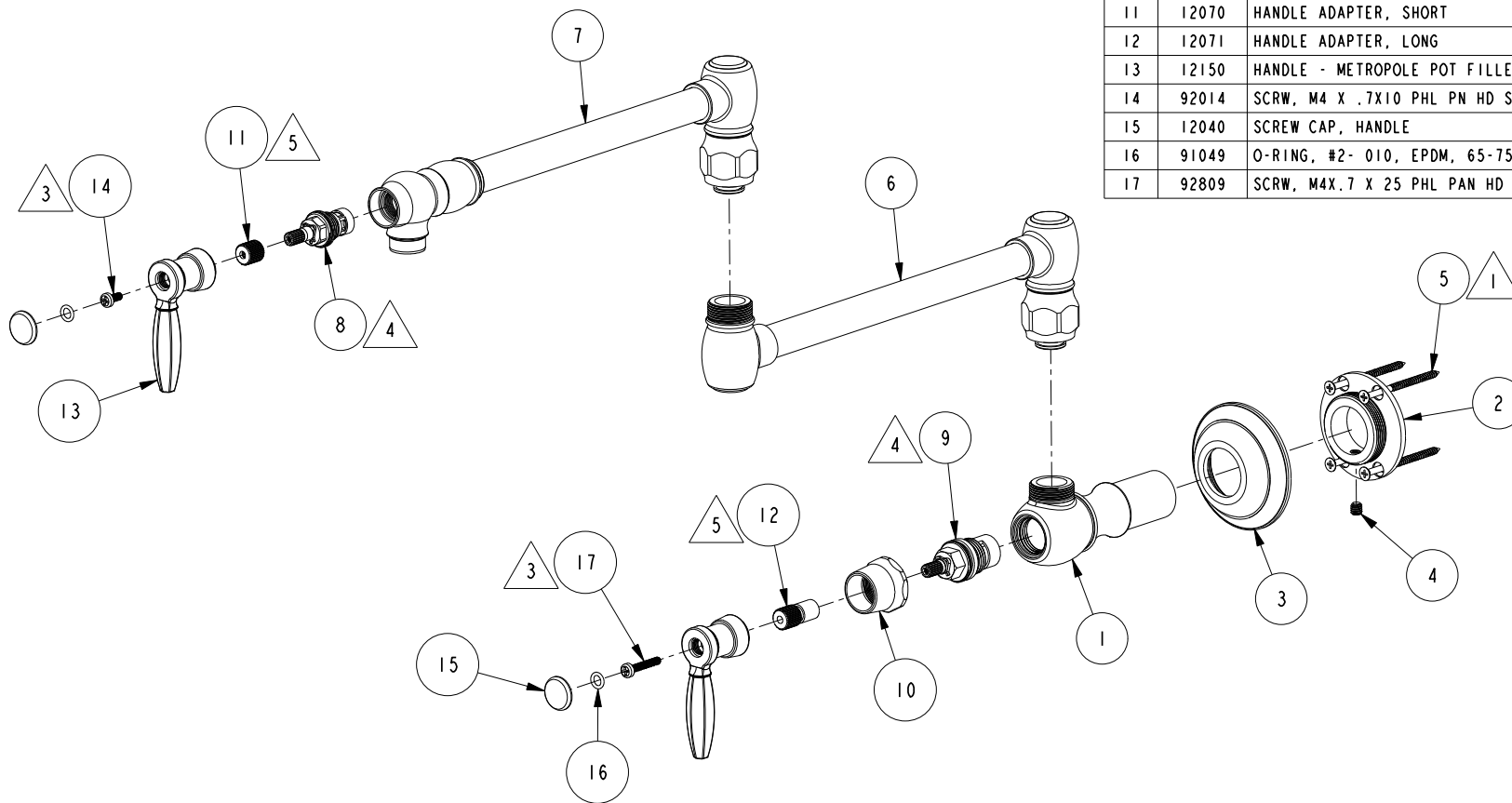
NOTES:

- 1 PACK THESE ITEMS IN A PLASTIC BAG.
- 2 HAND IN CLOSED POSITION.
- 3 APPLY LOW BONDING ADHESIVE IF SCREW DOES NOT HAVE NYLON PATCH.
- 4 INSTALLATION TORQUE: 11-14 FT-LB.
- 5 ADJUST THIS ITEM TO OPTIMIZE HANDLE POSITION (ITEM 13).



BILL OF MATERIAL (CURRENT LEVEL)

ITEM	PT/ASSY	DESCRIPTION	TYPE	QTY.
1	11299	VALVE BODY, WALL-END	PART	1
2	11301	FLANGE, MOUNTING	PART	1
3	2-555	FLANGE ASM, TRAD	ASSEMBLY	1
4	92231	SCRW, 1/4-20 X 1/4 SKT HD CUP PT SS	PART	1
5	92223	SCRW, #8 X 2-1/2 PHL FLT HD SS	PART	4
6	2-550	LOWER ARM ASM, TRAD	ASSEMBLY	1
7	2-549	UPPER ARM ASM, TRAD	ASSEMBLY	1
8	1-134	CARTR 3/8 HOT 1/4 TR	PART	1
9	1-006	C/S VALVE CARTRIDGE - HOT	PART	1
10	12095	BONNET	PART	1
11	12070	HANDLE ADAPTER, SHORT	PART	1
12	12071	HANDLE ADAPTER, LONG	PART	1
13	12150	HANDLE - METROPOLE POT FILLER	PART	2
14	92014	SCRW, M4 X .7X10 PHL PN HD SS	PART	1
15	12040	SCREW CAP, HANDLE	PART	2
16	91049	O-RING, #2- 010, EPDM, 65-75 DURO, NSF	6IPART	2
17	92809	SCRW, M4X.7 X 25 PHL PAN HD SS	PART	1



COPYRIGHT 2005 BRASSTECH, INC. THESE DRAWINGS AND THE DESIGNS DEPICTED HEREIN ARE THE PROPRIETARY PROPERTY OF BRASSTECH. ANY USE OR REPRODUCTION IS SUBJECT TO THE EXPRESS APPROVAL OF BRASSTECH. UNAUTHORIZED USE IS STRICTLY PROHIBITED. ALL RIGHTS RESERVED.

**BRASSTECH**  
INCORPORATED  
2001 CARNEGIE AVE.  
SANTA ANA, CA 92705  
(949) 417-5207

METROPOLE POT FILLER, WALL-MOUNT

ASSY. NO. 1200-5503

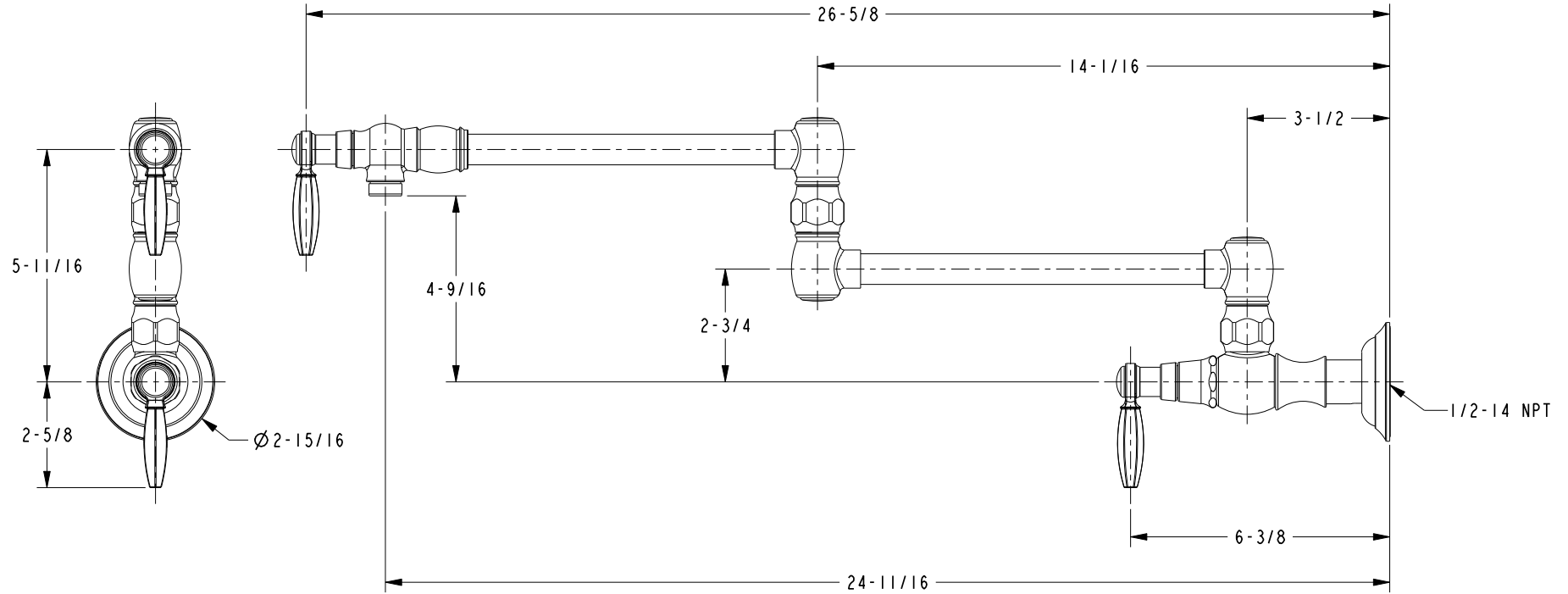
SCALE .250

REF. -

SHEET 1 OF 2

REV	REV DESC	DATE
A	EN-2405	01/07/13
-	EN-2202	07/31/12

SPECIFICATION DWG



DIMENSIONS ARE IN INCHES AND AN APPROXIMATION OF A TYPICAL INSTALLATION

COPYRIGHT 2005 BRASSTECH, INC. THESE DRAWINGS AND THE DESIGNS DEPICTED HEREIN ARE THE PROPRIETARY PROPERTY OF BRASSTECH. ANY USE OR REPRODUCTION IS SUBJECT TO THE EXPRESS APPROVAL OF BRASSTECH. UNAUTHORIZED USE IS STRICTLY PROHIBITED. ALL RIGHTS RESERVED.

<b>BRASSTECH</b>		2001 CARNEGIE AVE. SANTA ANA, CA 92705 (949) 417-5207
DWG NO.	1200-5503	REV A
SCALE	.250	REF. -
		SHEET 2 OF 2