

HOME HYDRANT BRAND FIRE PUMP SYSTEM

NFPA-13D Packaged Residential Fire Pump & Tank

U.S. Patents

HH3-150C

40GPM @ 40PSI

350 Gallon Water Tank

- ① Tank Drain 1/2"(GHT)
- ② Overflow Fitting 1"(NPT)
- ③ Auto-Fill Valve 3/4"(NPT)

1.5HP Electric Motor

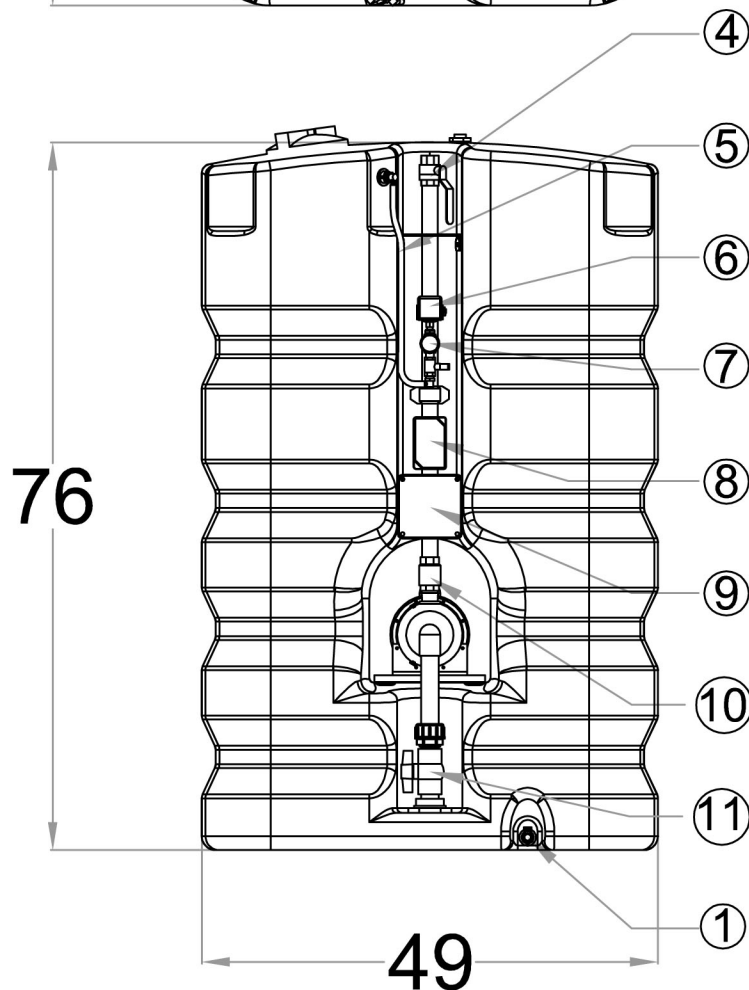
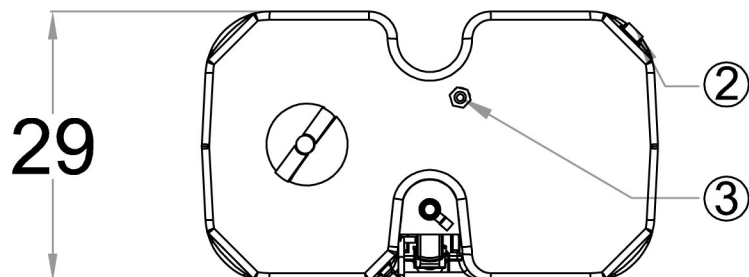
240 Volt Single-Phase

8.1 Amp (Full Load)

1 1/4" Discharge (NPT)

Smart Riser Control System

- ④ Isolation Ball Valve
- ⑤ Test Line/System Drain
- ⑥ 30-50 Pressure Switch
- ⑦ Pressure Gauge
- ⑧ Flow Switch
- ⑨ Run-Time Controller
- ⑩ Discharge Check Valve
- ⑪ Suction Shut-off Valve



Performance

Performance values based on multiple pump tests. Not for certification purposes.

GPM	0	20	25	30	35	40	45
PSI	47	45	44	43	41	40	39

HOME HYDRANT BRAND FIRE PUMP SYSTEM

NFPA-13D Packaged Residential Fire Pump & Tank

U.S. Patents #8,678,032 & 8,905,069

HH3-150SP

50GPM @ 40PSI

350 Gallon Water Tank

- ① Tank Drain 1/2"(GHT)
- ② Overflow Fitting 1"(FNPT)
- ③ Auto-Fill Valve 3/4"(FNPT)

1.5HP Electric Motor

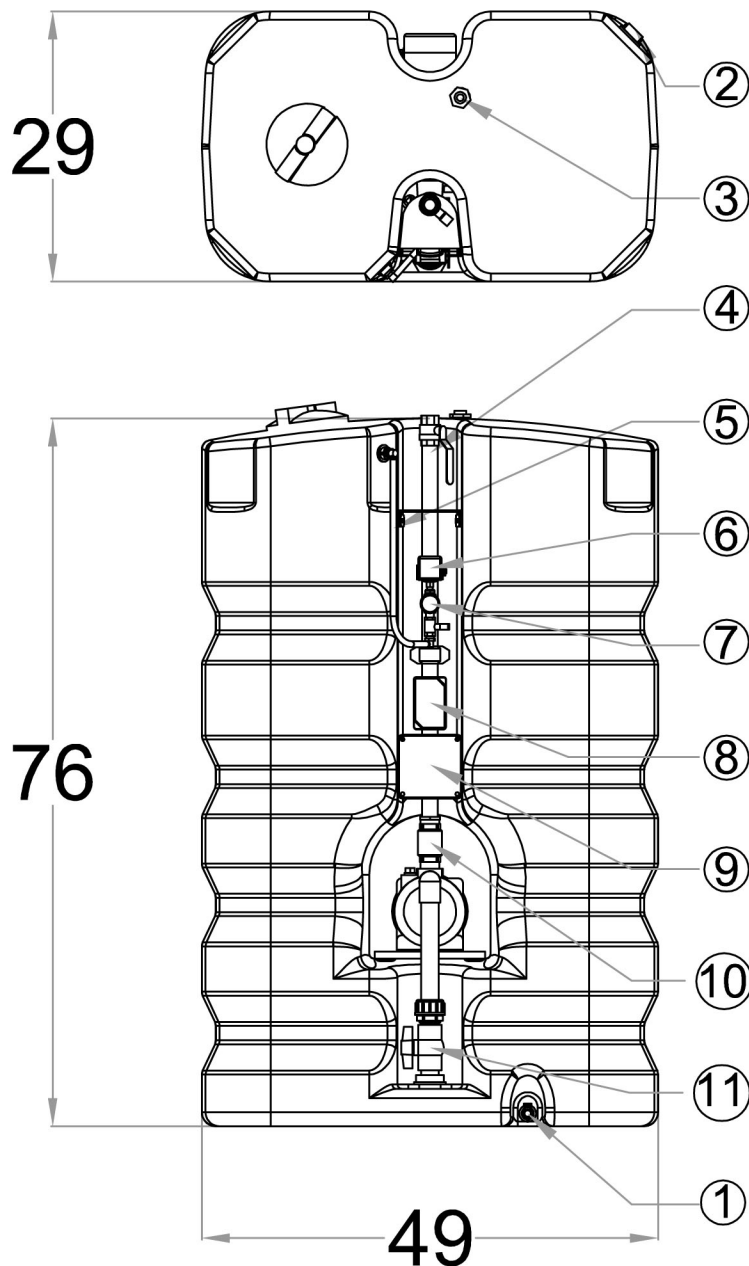
240 Volt Single-Phase

10.9 Amp (Full Load)

1 1/4" Discharge (FNPT)

Smart Riser Control System

- ④ Isolation Ball Valve
- ⑤ Test Line/System Drain
- ⑥ 40-60 Pressure Switch
- ⑦ Pressure Gauge
- ⑧ Flow Switch
- ⑨ Run-Time Controller
- ⑩ Discharge Check Valve
- ⑪ Suction Shut-off Valve



Performance

Performance values based on multiple pump tests. Not for certification purposes.

GPM	0	20	25	30	35	40	45	50
PSI	55	52	51	50	48	46	43	40

HOME HYDRANT BRAND FIRE PUMP SYSTEM

NFPA-13D Packaged Residential Fire Pump & Tank
 U.S. Patents #8,678,032 & 8,905,069

HH3-300C

50GPM @ 50PSI

350 Gallon Water Tank

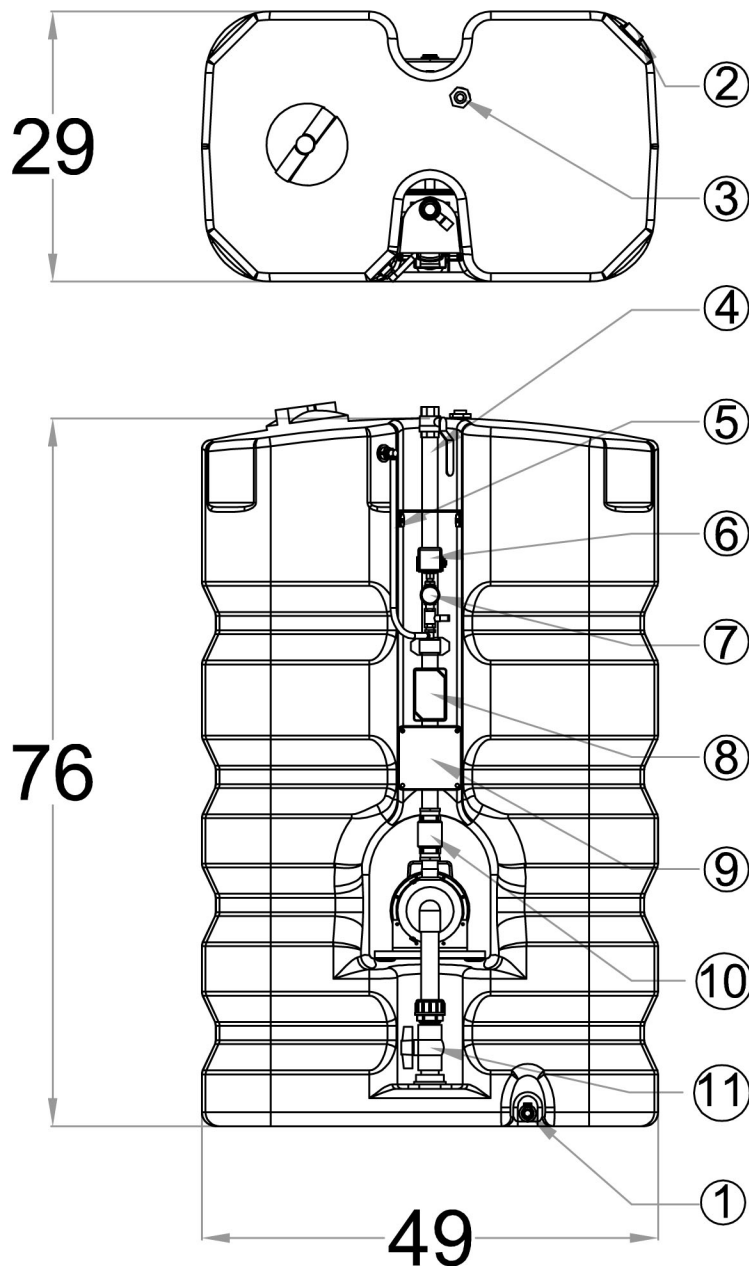
- ① Tank Drain 1/2"(GHT)
- ② Overflow Fitting 1"(FNPT)
- ③ Auto-Fill Valve 3/4"(FNPT)

3HP Electric Motor

240 Volt Single-Phase
 13 Amp (Full Load)

1 1/4" Discharge (FNPT)
 Smart Riser Control System

- ④ Isolation Ball Valve
- ⑤ Test Line/System Drain
- ⑥ 40-60 Pressure Switch
- ⑦ Pressure Gauge
- ⑧ Flow Switch
- ⑨ Run-Time Controller
- ⑩ Discharge Check Valve
- ⑪ Suction Shut-off Valve



Performance

Performance values based on multiple pump tests. Not for certification purposes.

GPM	0	25	30	35	40	45	50	55
PSI	59	57	55	54	53	51	50	49

HOME HYDRANT BRAND FIRE PUMP SYSTEM

NFPA-13D Packaged Residential Fire Pump & Tank

U.S. Patents #8,678,032 & 8,905,069

HH4-150C

40GPM @ 40PSI

450 Gallon Water Tank

- ① Tank Drain 1/2"(GHT)
- ② Overflow Fitting 1"(FNPT)
- ③ Auto-Fill Valve 3/4"(FNPT)

1.5HP Electric Motor

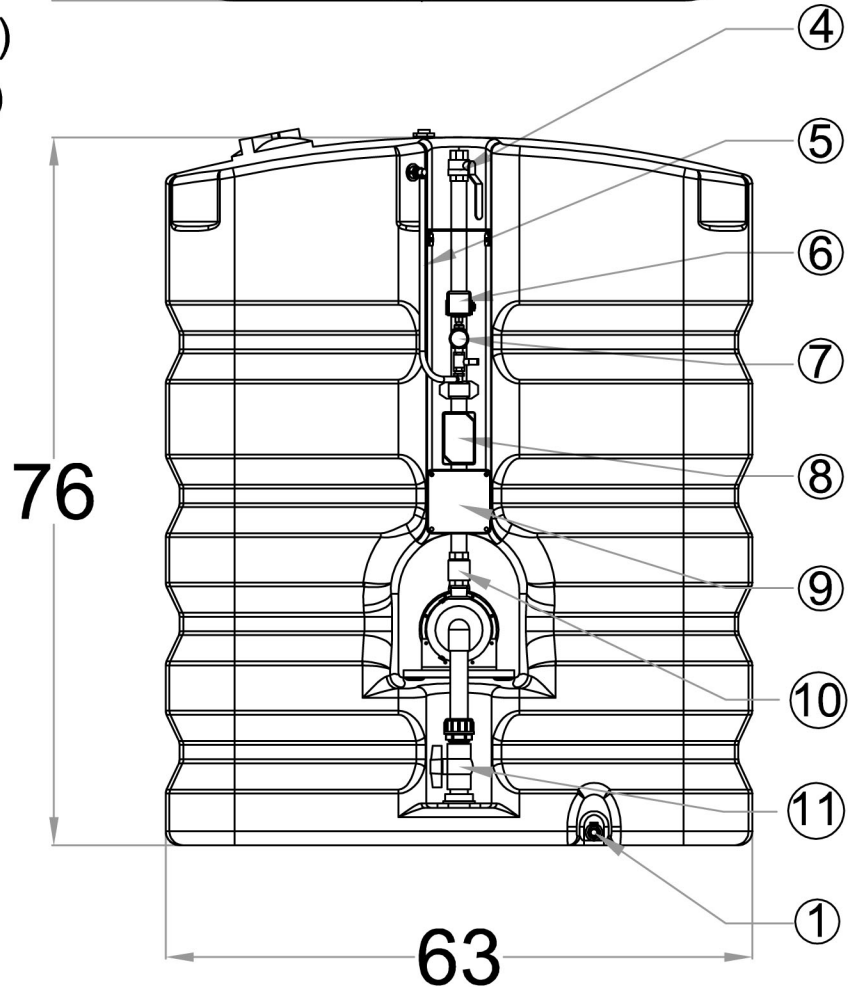
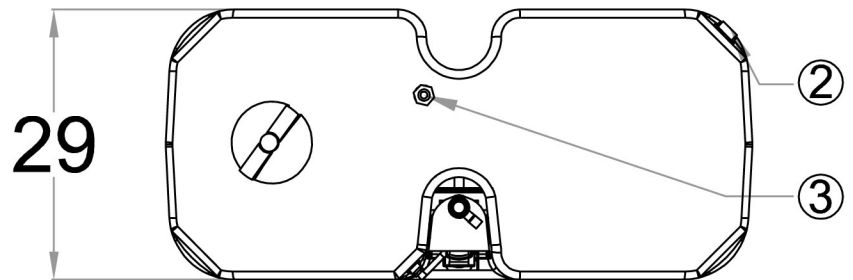
240 Volt Single-Phase

8.1 Amp (Full Load)

1 1/4" Discharge (FNPT)

Smart Riser Control System

- ④ Isolation Ball Valve
- ⑤ Test Line/System Drain
- ⑥ 30-50 Pressure Switch
- ⑦ Pressure Gauge
- ⑧ Flow Switch
- ⑨ Run-Time Controller
- ⑩ Discharge Check Valve
- ⑪ Suction Shut-off Valve



Performance

Performance values based on multiple pump tests. Not for certification purposes.

GPM	0	20	25	30	35	40	45
PSI	47	45	44	43	41	40	39

HOME HYDRANT BRAND FIRE PUMP SYSTEM

NFPA-13D Packaged Residential Fire Pump & Tank

U.S. Patents #8,678,032 & 8,905,069

HH4-150SP

50GPM @ 40PSI

450 Gallon Water Tank

- ① Tank Drain 1/2"(GHT)
- ② Overflow Fitting 1"(FNPT)
- ③ Auto-Fill Valve 3/4"(FNPT)

1.5HP Electric Motor

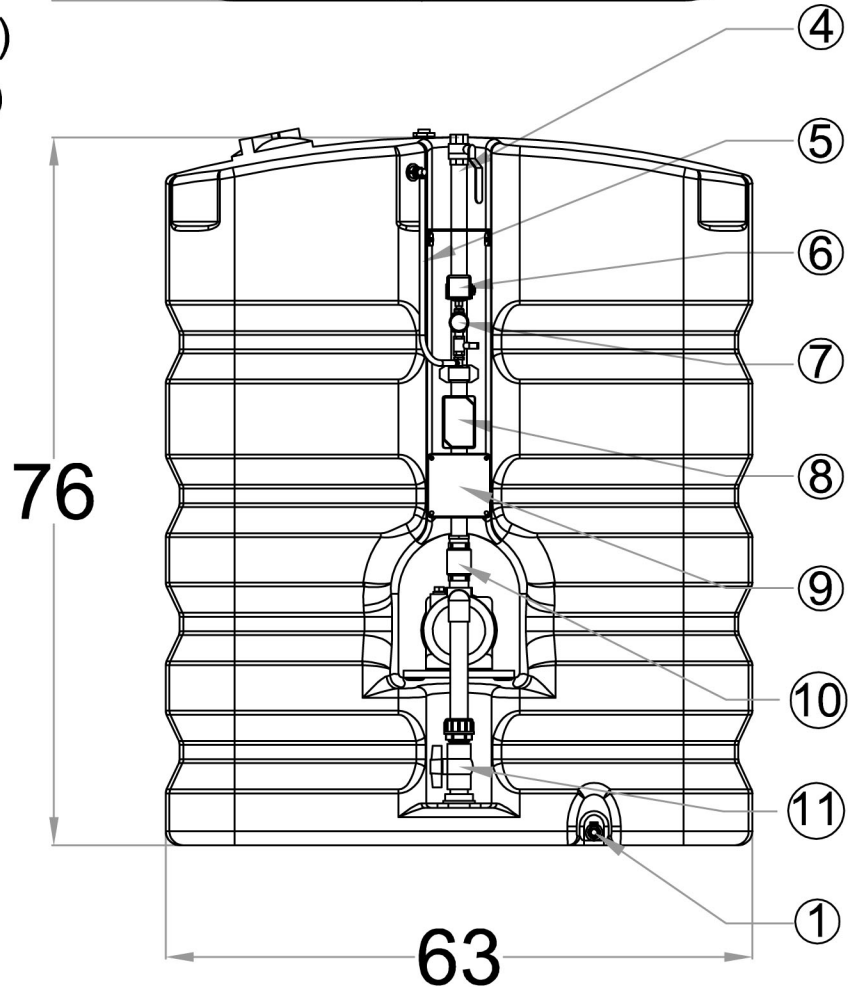
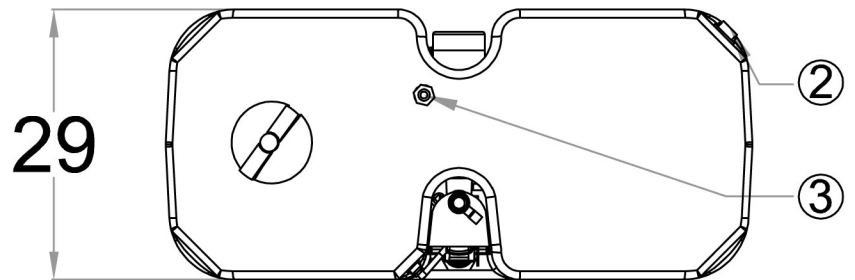
240 Volt Single-Phase

10.9 Amp (Full Load)

1 1/4" Discharge (FNPT)

Smart Riser Control System

- ④ Isolation Ball Valve
- ⑤ Test Line/System Drain
- ⑥ 40-60 Pressure Switch
- ⑦ Pressure Gauge
- ⑧ Flow Switch
- ⑨ Run-Time Controller
- ⑩ Discharge Check Valve
- ⑪ Suction Shut-off Valve



Performance

Performance values based on multiple pump tests. Not for certification purposes.

GPM	0	20	25	30	35	40	45	50
PSI	55	52	51	50	48	46	43	40

HOME HYDRANT BRAND FIRE PUMP SYSTEM

NFPA-13D Packaged Residential Fire Pump & Tank

U.S. Patents #8,678,032 & 8,905,069

HH4-300C

50GPM @ 50PSI

450 Gallon Water Tank

- ① Tank Drain 1/2"(GHT)
- ② Overflow Fitting 1"(FNPT)
- ③ Auto-Fill Valve 3/4"(FNPT)

3HP Electric Motor

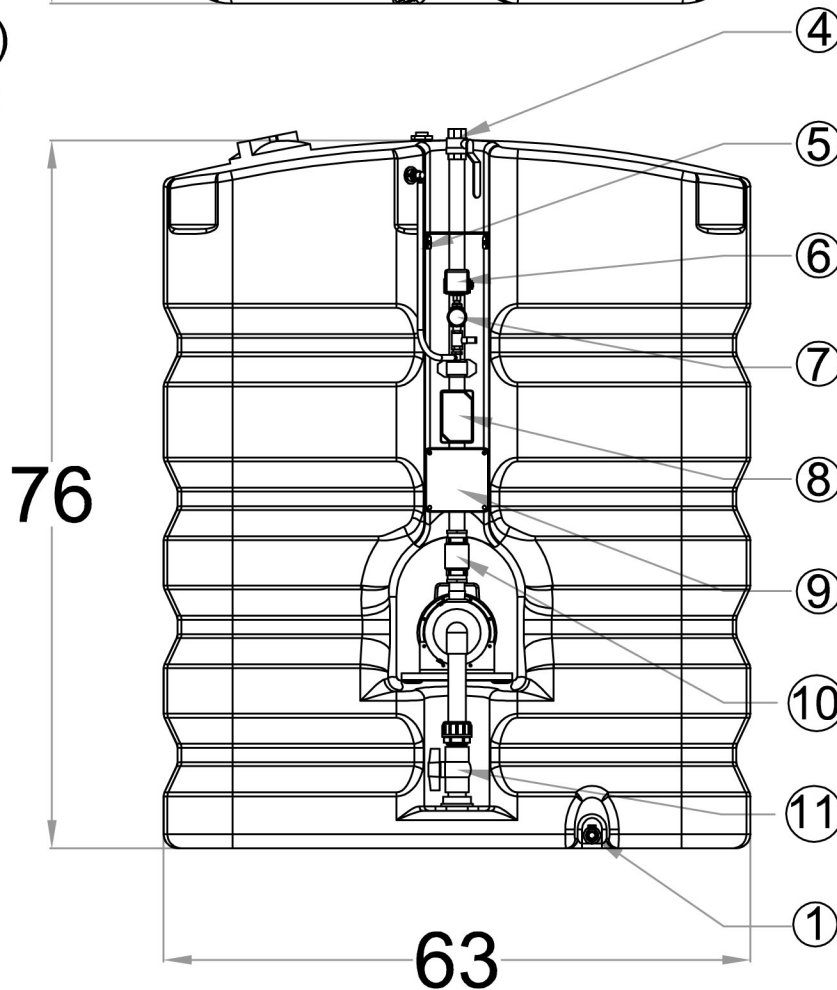
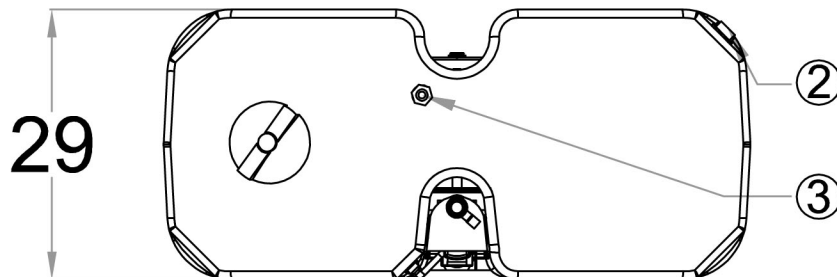
240 Volt Single-Phase

13 Amp (Full Load)

1 1/4" Discharge (FNPT)

Smart Riser Control System

- ④ Isolation Ball Valve
- ⑤ Test Line/System Drain
- ⑥ 40-60 Pressure Switch
- ⑦ Pressure Gauge
- ⑧ Flow Switch
- ⑨ Run-Time Controller
- ⑩ Discharge Check Valve
- ⑪ Suction Shut-off Valve



Performance

Performance values based on multiple pump tests. Not for certification purposes.

GPM	0	25	30	35	40	45	50	55
PSI	59	57	55	54	53	51	50	49

HOME HYDRANT - **FOR POTABLE WATER SYSTEMS**

NFPA-13D Packaged Residential Fire Pump & Tank

U.S. Patents #8,678,032 & 8,905,069

HH3-PW

50GPM @ 50PSI

350 Gallon Water Tank

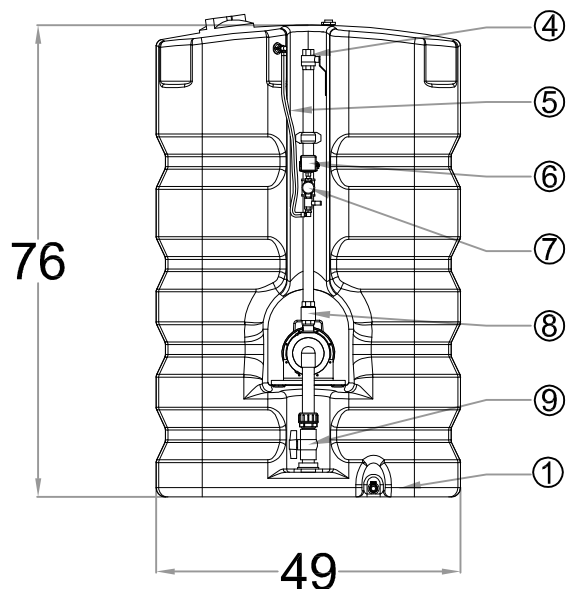
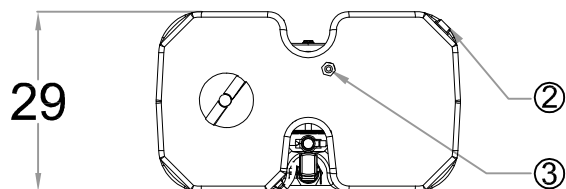
- ① Tank Drain 1/2"(GHT)
- ② Overflow Fitting 1"(FNPT)
- ③ Auto-Fill Valve 3/4"(FNPT)

3HP Electric Motor
240 Volt Single-Phase
13 Amp (Full Load)

1 1/4" Discharge (FNPT)
Smart Riser Control System

- ④ Isolation Ball Valve
- ⑤ Test Line/System Drain
- ⑥ 40-60 Pressure Switch
- ⑦ Pressure Gauge
- ⑧ Discharge Check Valve
- ⑨ Suction Shut-off Valve

Included with Potable Water Systems -
(1) Home Hydrant Tank and Stainless Steel Pump
(1) PW Safe Discharge Manifold (no flow switch included)



Pump Performance

All dimensions inches.
Performance values based on multiple pump tests. Not for certification purposes.

GPM	0	25	30	35	40	45	50	55
PSI	59	57	55	54	53	51	50	49

HOME HYDRANT - **FOR POTABLE WATER SYSTEMS**

NFPA-13D Packaged Residential Fire Pump & Tank

U.S. Patents #8,678,032 & 8,905,069

HH3-PWPT

50GPM @ 50PSI

350 Gallon Water Tank

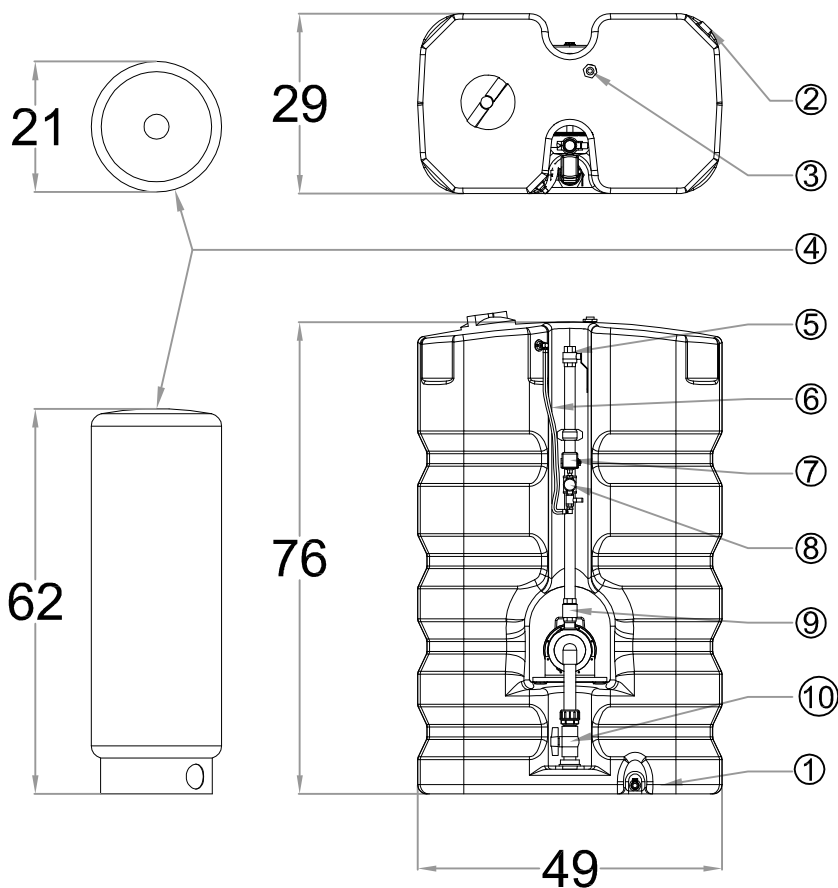
- ① Tank Drain 1/2"(GHT)
- ② Overflow Fitting 1"(FNPT)
- ③ Auto-Fill Valve 3/4"(FNPT)
- ④ 85 Gallon Bladder Tank

3HP Electric Motor
240 Volt Single-Phase
13 Amp (Full Load)

1 1/4" Discharge (FNPT)
Smart Riser Control System

- ⑤ Isolation Ball Valve
- ⑥ Test Line/System Drain
- ⑦ 40-60 Pressure Switch
- ⑧ Pressure Gauge
- ⑨ Discharge Check Valve
- ⑩ Suction Shut-off Valve

Included with Potable Water Systems -
(1) Home Hydrant Tank and Stainless Steel Pump
(1) PW Safe Discharge Manifold (no flow switch included)
(1) 85 Gallon PW Safe Bladder Tank



Pump Performance

All dimensions inches.
Performance values based on multiple pump tests. Not for certification purposes.

GPM	0	25	30	35	40	45	50	55
PSI	59	57	55	54	53	51	50	49

HOME HYDRANT - **FOR POTABLE WATER SYSTEMS**

NFPA-13D Packaged Residential Fire Pump & Tank

U.S. Patents #8,678,032 & 8,905,069

HH4-PW

50GPM @ 50PSI

450 Gallon Water Tank

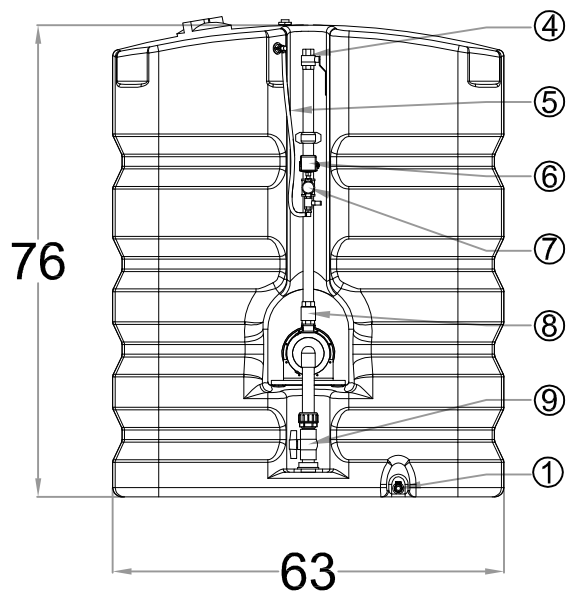
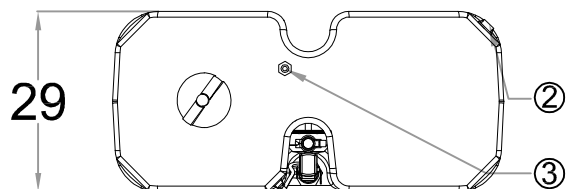
- ① Tank Drain 1/2"(GHT)
- ② Overflow Fitting 1"(FNPT)
- ③ Auto-Fill Valve 3/4"(FNPT)

3HP Electric Motor
 240 Volt Single-Phase
 13 Amp (Full Load)

1 1/4" Discharge (FNPT)
 Smart Riser Control System

- ④ Isolation Ball Valve
- ⑤ Test Line/System Drain
- ⑥ 40-60 Pressure Switch
- ⑦ Pressure Gauge
- ⑧ Discharge Check Valve
- ⑨ Suction Shut-off Valve

Included with Potable Water Systems -
 (1) Home Hydrant Tank and Stainless Steel Pump
 (1) PW Safe Discharge Manifold (no flow switch included)



Pump Performance

All dimensions inches.
 Performance values based on multiple pump tests. Not for certification purposes.

GPM	0	25	30	35	40	45	50	55
PSI	59	57	55	54	53	51	50	49

HOME HYDRANT - **FOR POTABLE WATER SYSTEMS**

NFPA-13D Packaged Residential Fire Pump & Tank

U.S. Patents #8,678,032 & 8,905,069

HH4-PWPT

50GPM @ 50PSI

450 Gallon Water Tank

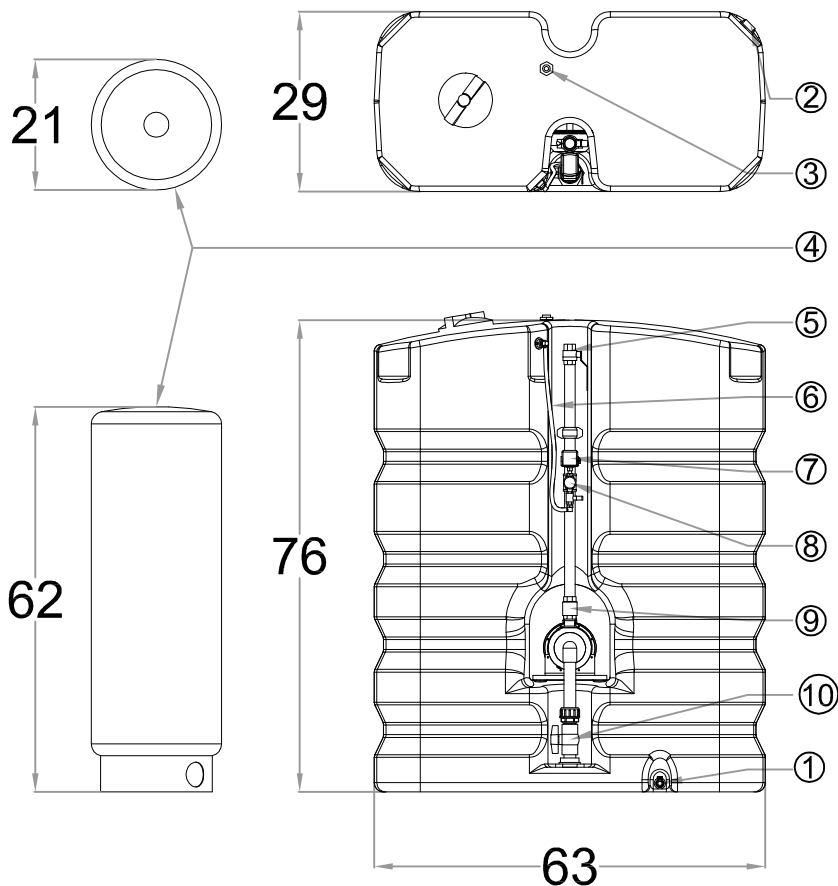
- ① Tank Drain 1/2"(GHT)
- ② Overflow Fitting 1"(FNPT)
- ③ Auto-Fill Valve 3/4"(FNPT)
- ④ 85 Gallon Bladder Tank

3HP Electric Motor
240 Volt Single-Phase
13 Amp (Full Load)

1 1/4" Discharge (FNPT)
Smart Riser Control System

- ⑤ Isolation Ball Valve
- ⑥ Test Line/System Drain
- ⑦ 40-60 Pressure Switch
- ⑧ Pressure Gauge
- ⑨ Discharge Check Valve
- ⑩ Suction Shut-off Valve

Included with Potable Water Systems -
 (1) Home Hydrant Tank and Stainless Steel Pump
 (1) PW Safe Discharge Manifold (no flow switch included)
 (1) 85 Gallon PW Safe Bladder Tank



Pump Performance

All dimensions inches.
Performance values based on multiple pump tests. Not for certification purposes.

GPM	0	25	30	35	40	45	50	55
PSI	59	57	55	54	53	51	50	49