

SPECIFICATIONS

FIGURE 7204

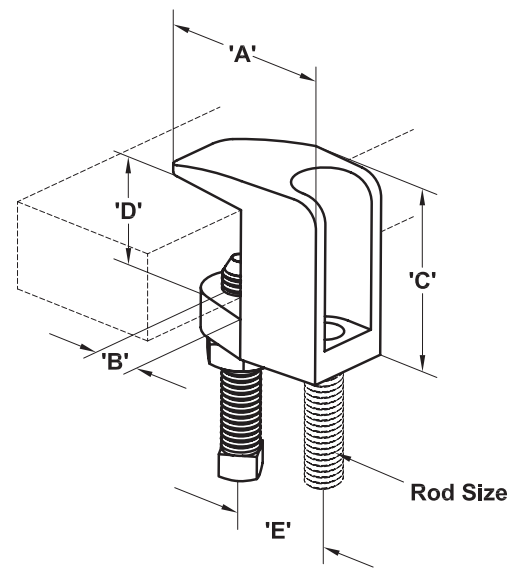
BEAM CLAMPS



WIDE MOUTH BEAM CLAMP

FEATURES

- Finish: Plain
- Material: Malleable Iron, ASTM A47 Grade 32510
- Wide throat
- Per: MSS SP-58, type 19
- Hanger rod not included



REFERENCE CHART

Catalog Number	Finish	Rod Size	Max Load (lbs.)	Dimensions (in.)					Wt. (oz.)
				A	B	C	D	E	
FNW7204PC	Plain	3/8"-16	560	1.63"	0.50"	1.88"	1.25"	1.06"	7.65
FNW7204PD	Plain	1/2"-13	810	1.63"	0.50"	1.88"	1.25"	1.06"	7.65
FNW7204PE	Plain	5/8"-11	1000	2.25"	0.75"	2.31"	1.25"	1.38"	11.25
FNW7204PF	Plain	3/4"-10	1500	2.38"	0.75"	2.38"	1.25"	1.38"	14.11

Note: Do not overtighten the set screw or the clamp can be damaged. The set screw should be finger tight, then given approximately an additional 1/4 to 1/3 turn. The recommended set screw torque is 5 ft-lbs (60 in-lbs).