

SPECIFICATIONS

FIGURE 7201

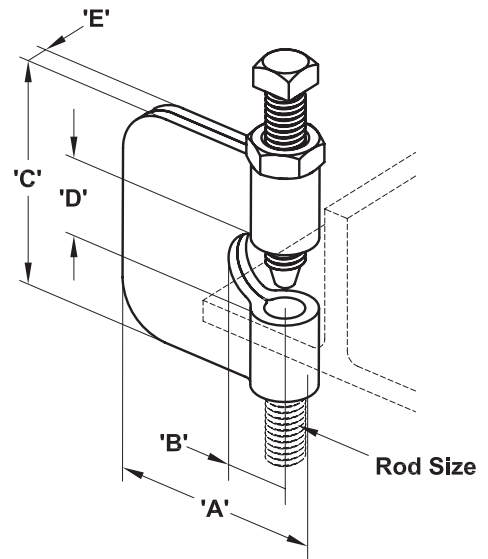
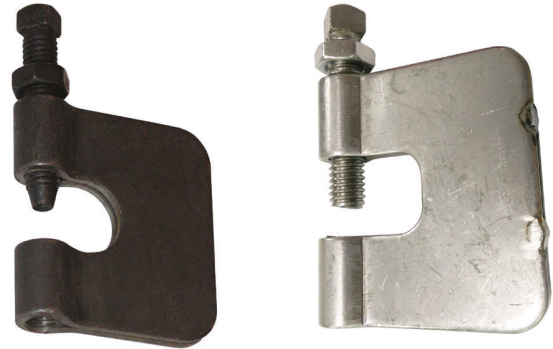
BEAM CLAMPS



STEEL BEAM C-CLAMP

FEATURES

- Finish: Plain or 304 stainless steel
- Material: Steel, ASTM A283
- Per: MSS SP-58, type 23
- Hanger rod not included



REFERENCE CHART

| Catalog Number | Finish | Rod Size | Max Load (lbs.) | Dimensions (in.) | | | | | Wt. (oz.) |
|----------------|---------------------|----------|-----------------|------------------|-------|-------|-------|-------|-----------|
| | | | | A | B | C | D | E | |
| FNW7201PC | Plain | 3/8"-16 | 400 | 2.13" | 0.88" | 2.38" | 0.75" | 0.25" | 5.75 |
| FNW7201SC | 304 Stainless Steel | 3/8"-16 | 400 | 2.17" | 0.85" | 2.38" | 0.75" | 0.22" | 5.6 |

Note: Do not overtighten the set screw or the clamp can be damaged. The set screw should be finger tight, then given approximately an additional 1/4 to 1/3 turn. The recommended set screw torque is 5 ft-lbs (60 in-lbs).