

SPECIFICATIONS

FIGURE 7202

BEAM CLAMPS

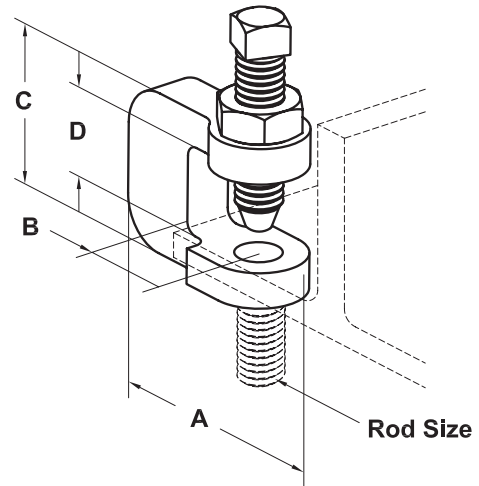
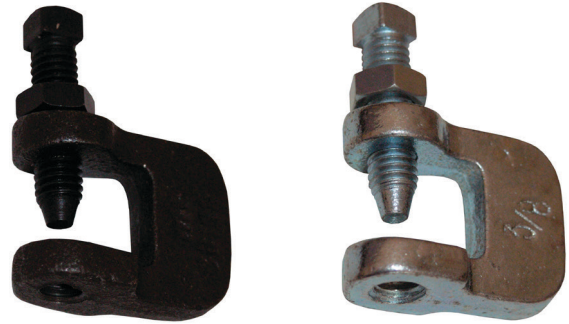


MI BEAM C-CLAMP

The FNW Figure 7202 malleable iron beam C-Clamp is designed for attaching a hanger rod to the bottom flange of a beam. The hanger rod should make contact with the beam flange to ensure full engagement.

FEATURES

- Finish: plain or zinc plated
- Material: malleable iron, ASTM A47 Grade 32510
- Wide throat
- Per: MSS SP-58, type 23
- Hanger rod not included



REFERENCE CHART

Catalog Number	Finish	Rod Size	Max Load (lbs.)	Dimensions (in.)				Wt. (oz.)
				A	B	C	D	
FNW7202PC	Plain	3/8"-16	400	1.75	0.63	1.75	0.75	3.6
FNW7202ZC	Zinc plated	3/8"-16	400	1.75	0.63	1.75	0.75	3.6
FNW7202PD	Plain	1/2"-13	400	1.75	0.63	1.75	0.75	4.09
FNW7202ZD	Zinc plated	1/2"-13	400	1.75	0.63	1.75	0.75	4.09
FNW7202PE	Plain	5/8"-11	530	2.00	0.75	2.00	0.75	8.54

Note: Do not overtighten the set screw or the clamp can be damaged. The set screw should be finger tight, then given approximately an additional 1/4 to 1/3 turn. The recommended set screw torque is 5 ft-lbs (60 in-lbs).