

SPECIFICATIONS

FIGURE 7202

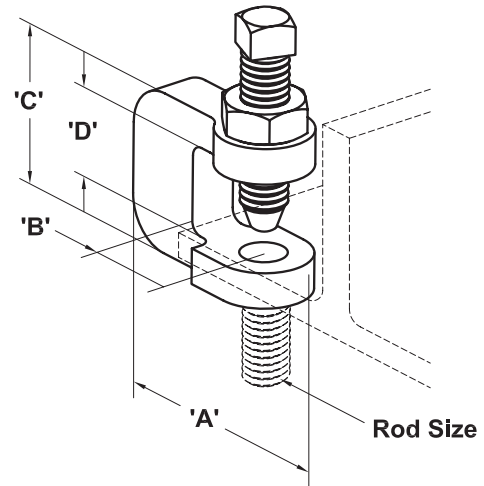
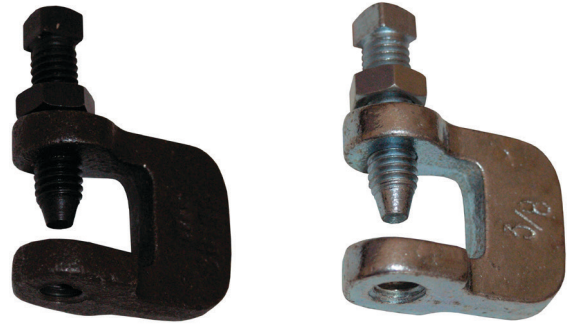
BEAM CLAMPS



MI BEAM C-CLAMP

FEATURES

- Finish: Plain or zinc plated
- Material: Malleable Iron, ASTM A47 Grade 32510
- Wide throat
- Per: MSS SP-58, type 23
- Hanger rod not included



REFERENCE CHART

Catalog Number	Finish	Rod Size	Max Load (lbs.)	Dimensions (in.)				Wt. (oz.)
				A	B	C	D	
FNW7202PC	Plain	3/8"-16	400	1.75"	0.63"	1.75"	0.75"	3.6
FNW7202ZC	Zinc Plated	3/8"-16	400	1.75"	0.63"	1.75"	0.75"	3.6
FNW7202PD	Plain	1/2"-13	400	1.75"	0.63"	1.75"	0.75"	4.09
FNW7202ZD	Zinc Plated	1/2"-13	400	1.75"	0.63"	1.75"	0.75"	4.09
FNW7202PE	Plain	5/8"-11	530	2.00"	0.75"	2.00"	0.75"	8.54

Note: Do not overtighten the set screw or the clamp can be damaged. The set screw should be finger tight, then given approximately an additional 1/4 to 1/3 turn. The recommended set screw torque is 5 ft-lbs (60 in-lbs).