

Installation Instructions FRAMED BY-PASS SHOWER DOORS

Showerite

American Standard
Style That Works Better

Thank you for selecting our product...the benchmark of fine quality for over 100 years. To ensure that your installation proceeds smoothly--please read these instructions carefully before you begin.

Record Model Number _____

710006-100

BEFORE YOU BEGIN...

Local building codes vary by location. Observe all local plumbing and building codes.

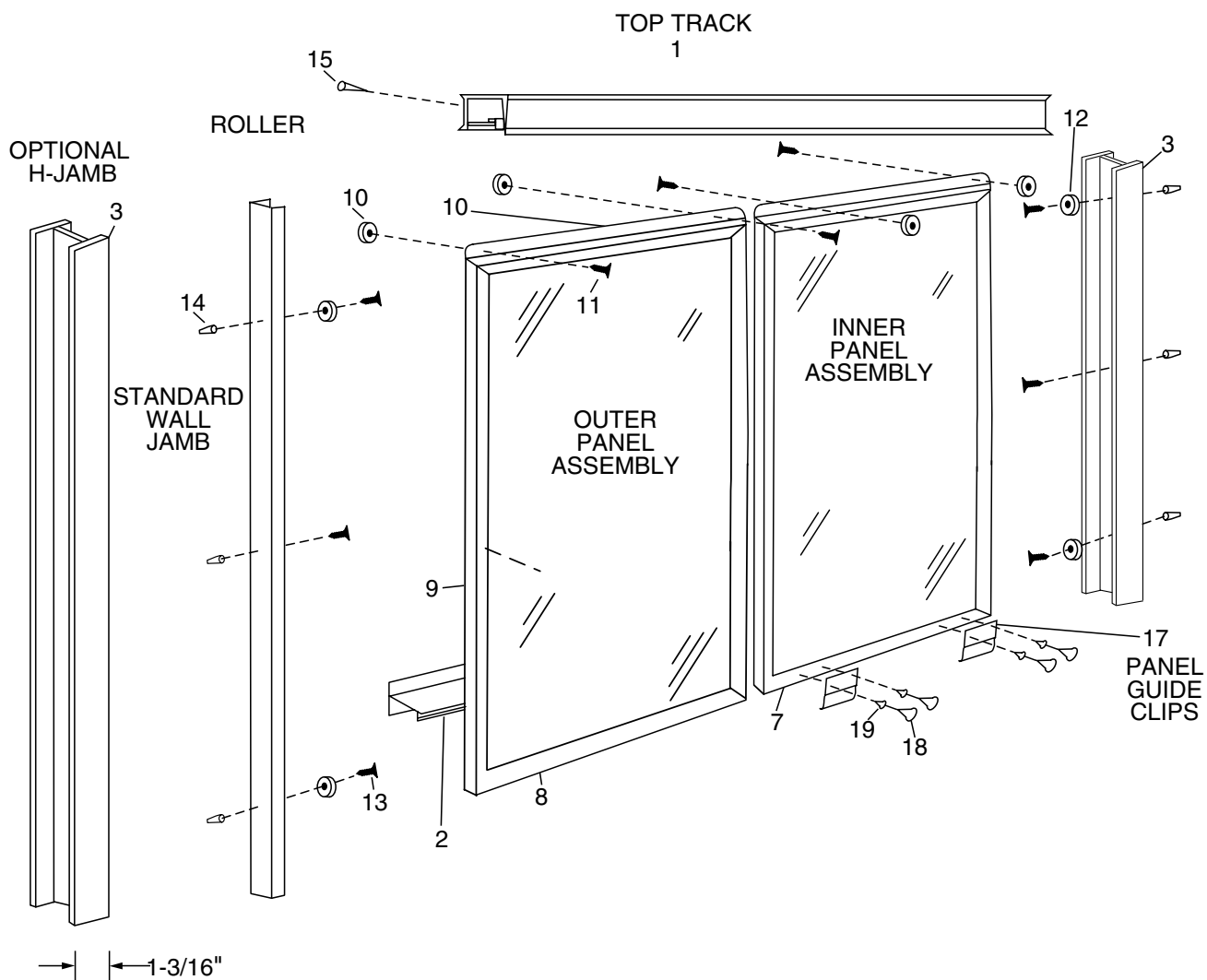
Unpack your new shower doors and inspect them carefully for damage. Verify that the doors are the correct size for your installation.

TOOLS & MATERIALS REQUIRED...

• Tape Measure • Electric Drill • Level • Phillips Screwdriver • Drill Bits 1/8" & 3/16" • Masking Tape • Silicone Caulk

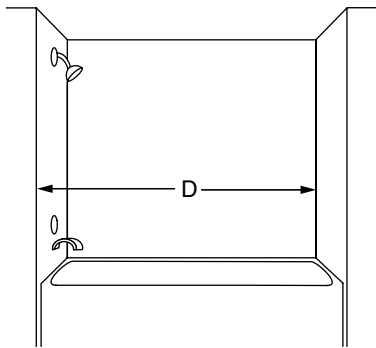
IMPORTANT: Record the Model No. (see carton) of your shower door for future reference. Model No. _____

READ THE INSTRUCTIONS CAREFULLY. Familiarize yourself with all the parts shown in the exploded view. The exploded view will be helpful when locating and installing the various parts.



1 INSTALLATION PROCEDURES:

Measure length "D" at the center of the tub ledge.



2

If using standard wall jambs cut bottom track 3/16" shorter than length "D".

If using H-jamb (1391-1) cut bottom track 1-3/16" shorter than length "D".

If using HOC or HUR jamb, temporarily place wall jambs on wall and measure distance from wall jamb to wall jamb on inside. Cut the bottom track to that length.

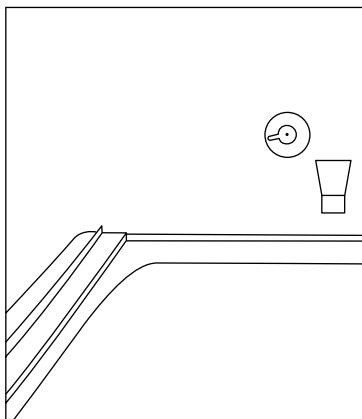


For best results use a 32 tooth hacksaw blade and a miter box.

3

Temporarily place bottom track in the center of the ledge leaving a small gap at each end for the wall jambs (**high edge of the bottom track to the outside of the tub**).

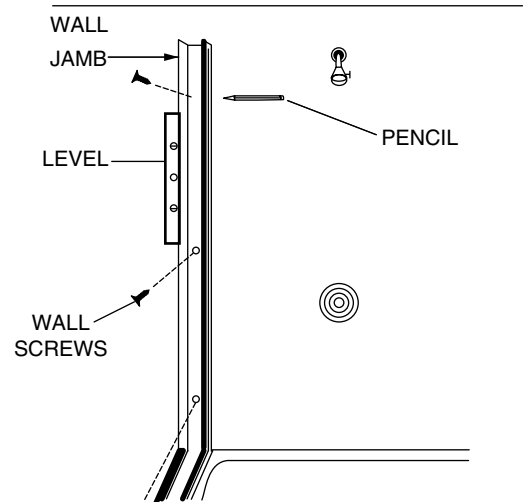
Fasten in place temporarily with masking tape and mark its position with a pencil.



4

Place the jamb against wall using a level to plumb as shown. Mark the 3 hole locations.

Repeat procedure for opposite side.



NOTE: It may be necessary to radius the bottom of the wall jambs to fit certain fiberglass shower enclosures.

5

Close tub/shower drain before proceeding.

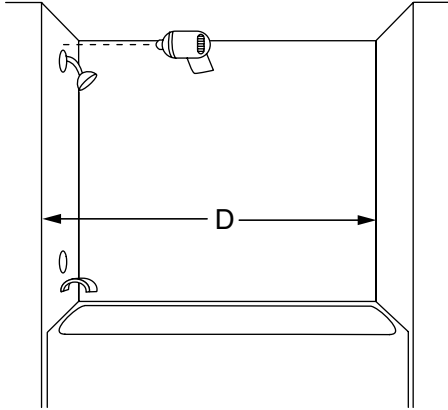
Remove bottom track and wall jambs.

When installing on a fiberglass or plastic unit use a 1/8" drill bit and do not use the plastic screw anchors.

When installing on all units *other than fiberglass or plastic* use a 3/16" drill bit and the plastic screw anchors.

In ceramic tile use a masonry drill and nick surface glaze first with a center punch.

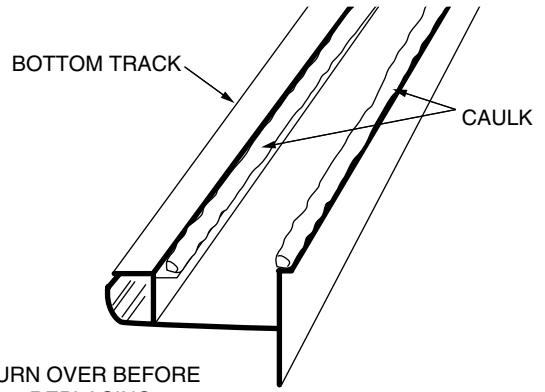
After drilling holes, clean tub rim or stall threshold thoroughly to ensure proper adhesion of bottom track.



6

Apply thick beads of caulk to underside of bottom track as shown.

Return bottom track to the previously marked *location*.

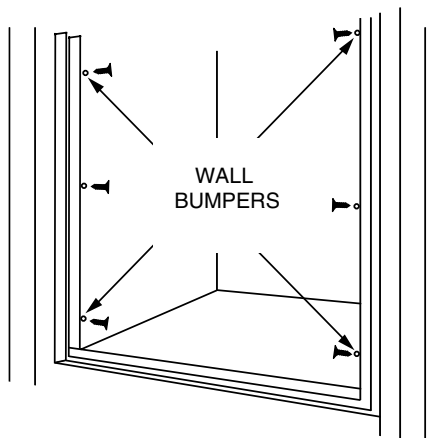


7

On the flat side of your wall jambs apply thick beads of caulk then place against the wall and align with the drilled holes.

Using screws provided, install screws into the top and bottom hole through the bumper and into the wall.

Install the remaining screws into the middle hole and into the wall.



OPTIONAL
H-JAMB, HOC & HUR
JAMB (6 TOTAL)



STANDARD
WALL JAMB (6 TOTAL)

8

Measure wall to wall opening at top of jambs.

Cut the header 1/16" shorter than the actual measurement to allow for clearance.



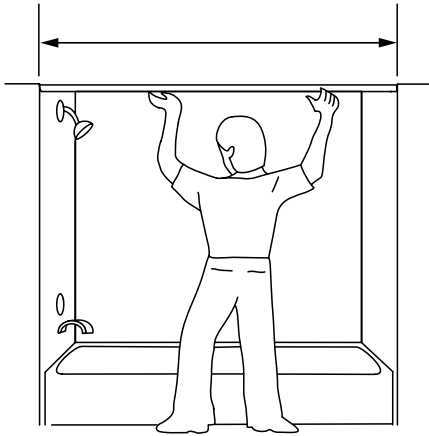
For best results, use a 32 tooth hacksaw blade and a miter box.

9

Install header over each end of wall jambs.

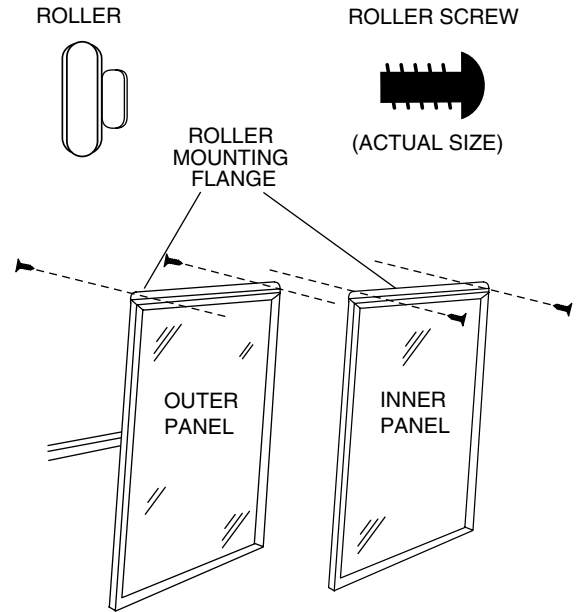
Drill a 1/8" hole through header and into wall jamb from inside at each end (1/4" from the wall).

Fasten header to wall jamb with screws provided.

**10**

Mount nylon rollers to slot on the top of each door.

*The nylon side of roller should be facing same way as towel bar.

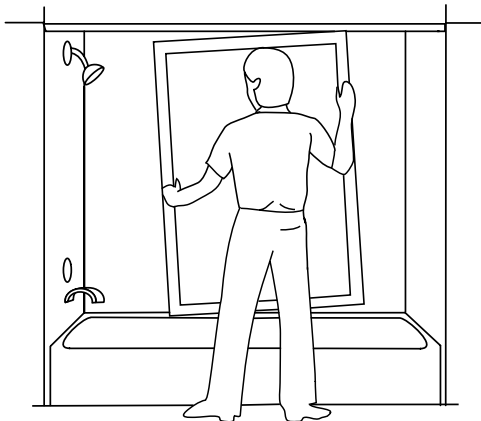


For towel bar installation see **TOWEL BAR INSTALLATION GUIDE**. On Tryton doors the towel bar is already installed.

11

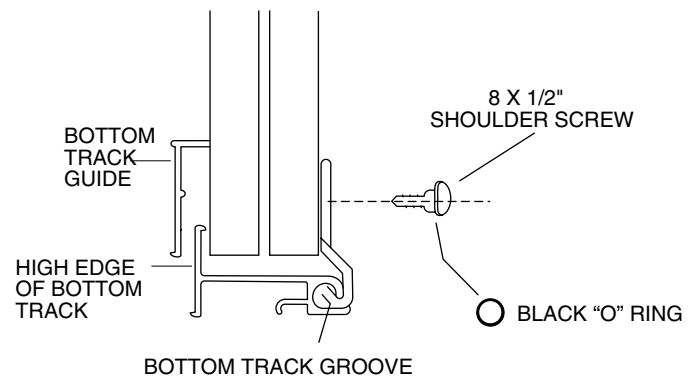
Install door panels by lifting panels up and inside header and hang rollers on each respective groove.

The outside panel with bottom track guide, fits over high edge of bottom track. The inside panel has 4 holes at bottom on the inside of the inside panel to attach panel guide clips.

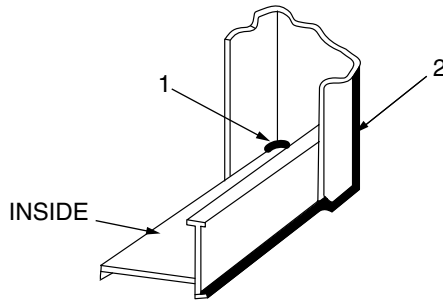
**12**

Slide both panels to one side. Insert two panel guide clips into groove of bottom track.

Place the "O" ring onto #8 x 1/2" shoulder screw, then into pre-drilled hole on inside panel. **Do not over tighten screws. Guide clips should be able to float up and down.**



1. Caulk the gap at both ends between bottom track and wall jambs.
2. Caulk along inside and outside of shower/tub door where the metal touches the shower stall, providing a water tight seal.
3. Allow 24 - 48 hours to dry before using.



HOW TO CARE FOR YOUR ENCLOSURE Do not use scouring powder, pads or sharp instruments on metal or glass panels. Occasionally wipe with mild detergent diluted in water to keep the panels and metal parts looking new. Use squeegees following each shower to eliminate water spots on the inside of the glass panels.

HOW TO ORDER REPLACEMENT PARTS

Provide the following information to your Dealer.

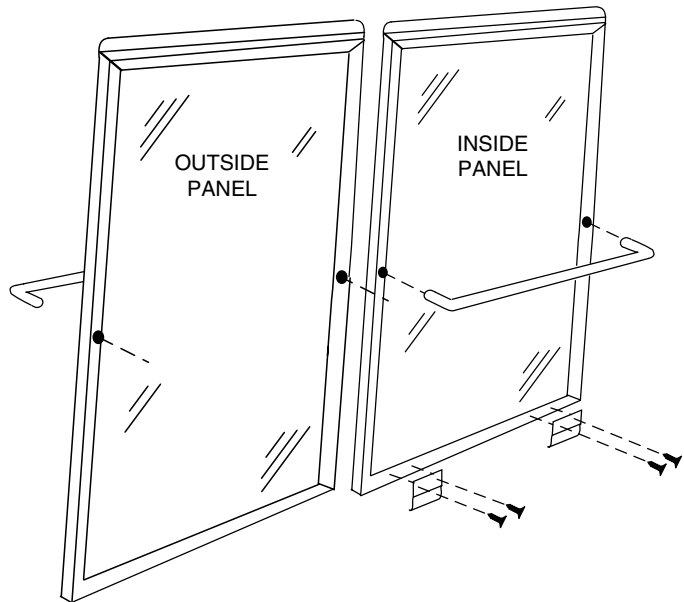
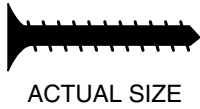
1. Part Name
2. Part Number
3. Part Description (Length, Size, Color, etc.)
4. Model Number

| Key No. | Part Name | QTY | Pacer Part No. | Prestige Part No. | Tryton Part No. | Euro Part No. |
|---------|----------------------------|-----|----------------|-------------------|-----------------|---------------|
| 1 | HEADER | 1 | 1390 | 7390 | EX100 | T1191 |
| 2 | E-Z CLEAN BOTTOM TRACK | 1 | EX104-3 | EX104-3 | EX104-3 | EX104-3 |
| 3 | WALL JAMB-STANDARD | 2 | EX105 | EX105 | EX106 | EX106 |
| 4 | H-JAMB-OPTIONAL | 2 | 1391-1 | 1391-1 | 1391-1 | 1391-1 |
| 5 | TOWEL BAR | 2 | 1398 | 7398 | 8498 | T1198 |
| 6 | TOWEL BAR BRACKET | 4 | NONE | 7397L/R | 8499A | NONE |
| 6A | DOOR TOP OUTSIDE | 2 | 1394 | 1394 | EX101 | EX101 |
| 7 | DOOR BOTTOM INSIDE | 1 | 1395 | 1395 | EX102 | EX102 |
| 8 | DOOR BOTTOM OUTSIDE | 1 | 1395-0 | 1395-0 | EX102-0 | EX102-0 |
| 9 | DOOR SIDE | 4 | 1393 | 1393 | EX103 | EX103 |
| 10 | ROLLER | 4 | E9004 | E9004 | R9004 | R9004 |
| 11 | ROLLER SCREW | 4 | 832-12 | 832-12 | 832-12 | 832-12 |
| 12 | WALL BUMPER | 4 | 55 | 55 | 55 | 55 |
| 13 | MTG. SCREW-STANDARD | 6 | 81-P | 81-P | 81-P | 81-P |
| 13 | MTG. SCREW-OPTIONAL | 6 | 82-P | 82-P | 82-P | 82-P |
| 14 | SCREW ANCHOR | 6 | PSA-1 | PSA-1 | PSA-1 | PSA-1 |
| 15 | MTG. SCREW-HEADER 8 X 14PP | 2 | 838-PP | 838-PP | 838-PP | 838-PP |
| 16 | MTG. SCREW-TOWEL BAR | 4 | 81-F | 8 X 3/4" | NONE | T81-F |
| 17 | PANEL GUIDE CLIP | 2 | PG-1 | PG-1 | PG-1 | PG-1 |
| 18 | PANEL GUIDE CLIP SCREW | 4 | #8 X 1/2" | #8 X 1/2" | #8 X 1/2" | #8 X 1/2" |
| 19 | "O" RING | 4 | O-RING | O-RING | O-RING | O-RING |

TOWEL BAR INSTALLATION GUIDE

PACER

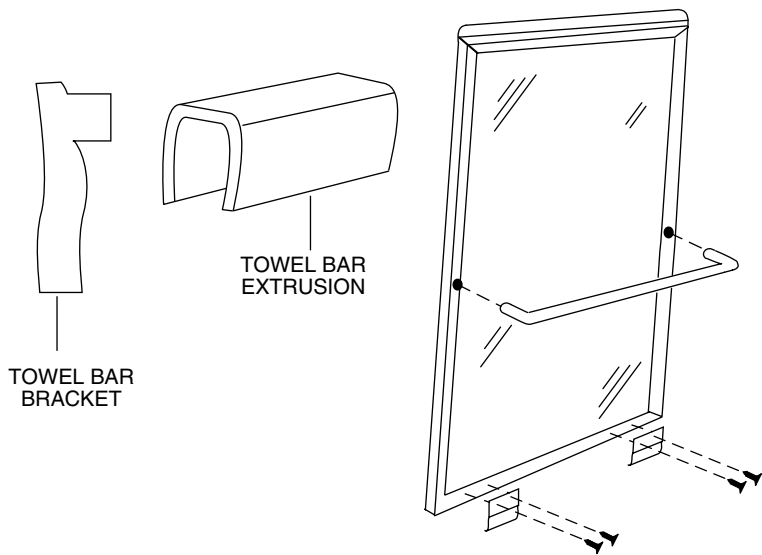
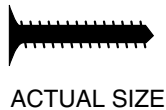
The towel bars are attached on the inside of the inside panel and the outside of the outside panel by using two 1" flat head thread forming tapping screws. See diagram



PRESTIGE

To attach to the panel:

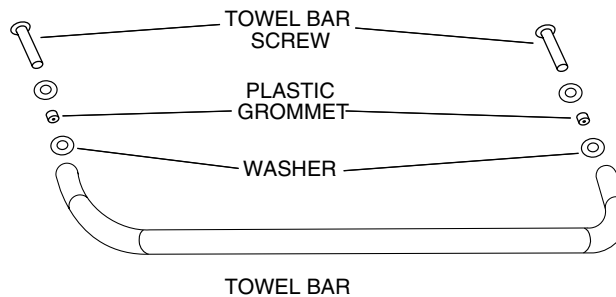
1. Push left side towel bar brackets into left side of towel bar extrusions and right towel bar brackets into right side of towel bar extrusions. Then attach towel bars on the inside of the inside panel and on the outside of the outside panel, using two 3/4" flat head thread forming tapping screw. See diagram.



EURO

To attach to the glass:

Place one washer on the screw then place the grommet over the washer. Slide the screw into the glass. On the opposite side of the glass place the other washer and the towel bar. Then tighten the screw into the towel bar by using the allen wrench provided. Do not overtighten. See diagram.



AS AMERICA, INC. LIMITED LIFETIME WARRANTY FOR SHOWER DOORS

Showerite

American Standard
Style That Works Better

AS America, Inc. ("American Standard") warrants to the **original consumer purchaser** that it will, at its sole option, repair or replace this product or any part of this product, if it confirms that the product is defective in materials or workmanship under normal use and maintenance for the lifetime of this product.

This warranty does not apply to commercial installations. Commercial installations shall have a limited warranty of 3 year(s).

This limited warranty DOES NOT COVER the following:

1. Defects or damage arising from shipping, installation, alterations, accidents, abuse, misuse, lack of proper maintenance and use of other than genuine American Standard replacement parts, in all cases whether caused by a plumbing contractor, service company, the owner or any other person.
2. Deterioration through normal wear and tear.
3. **HARD WATER DAMAGE, OR DAMAGES RESULTING FROM ABUSE OR MISUSE OR FROM FAILURE TO INSTALL OR MAINTAIN THIS PLUMBING PRODUCT IN ACCORDANCE WITH THE WRITTEN INSTRUCTIONS FURNISHED BY AS AMERICA, INC.**
4. **USE OF CLEANING PRODUCTS CONTAINING CALCIUM HYPO CHLORITE (CHLORINE), SCOURING POWDERS OR PADS SHALL NOT BE COVERED.**
5. **THE USE OF SCENTED CANDLES IN CLOSE PROXIMITY WITH THIS PRODUCT CAN RESULT IN PERMANENT STAINING OF THE FINISH.**
6. Expense of normal maintenance.
7. All costs of removal, transportation, labor, reinstallation or other costs including postage and/or shipping costs to obtain warranty service shall be paid by the consumer.
8. **ANY LIABILITY FOR CONSEQUENTIAL OR INCIDENTAL DAMAGES, ALL OF WHICH ARE HEREBY EXPRESSLY DISCLAIMED. ANY IMPLIED WARRANTIES, INCLUDING THOSE OF MERCHANTABILITY OR FITNESS FOR PURPOSE INTENDED ARE SPECIFICALLY EXCLUDED.** (Some jurisdictions do not allow limitations on how long an implied warranty lasts, or the exclusion or limitation of incidental or consequential damages, so these limitations and exclusions may not apply to you.)
9. Responsibility for compliance with local code requirements ARE EXCLUDED FROM THIS WARRANTY. (Since local code requirements vary greatly distributors, dealers, installation contractors and users of plumbing products should determine whether there are any code restrictions on the installation or use of a specific product.)

This limited warranty gives you specific legal rights. You may have other statutory rights that vary from state to state or from province to province, in which case this limited warranty does not affect such statutory rights.

For service under this warranty, it is suggested that a claim be made through the contractor or dealer from or through whom the product was purchased, or that a service request (including a description of the product model and of the defect) be sent to the following with proof of purchase or original receipt:

AS America, Inc.
P.O. Box 659
West Caldwell, NJ 07007
Attention: Customer Care Center

Customer Care by telephone: 1-800-442-1902

GARANTÍA LIMITADA DE POR VIDA DE AS AMERICA, INC. PARA PUERTAS DE DUCHA

Showerite

American Standard
Style That Works Better

AS America, Inc. ("American Standard") le garantiza al **comprador original** que reparará o reemplazará, si lo estima conveniente, este producto o cualquiera de sus piezas, si confirma que el producto tiene defectos de materiales o de mano de obra según el uso y mantenimiento normales, durante toda la vida de este producto.

Esta garantía no se aplica a instalaciones comerciales. Las instalaciones comerciales tendrán una garantía limitada de 3 años.

Esta garantía limitada NO CUBRE lo siguiente:

1. Defectos o daños que surjan del envío, la instalación, alteraciones, accidentes, abuso, uso indebido, falta de mantenimiento correcto y uso de piezas que no sean repuestos originales de American Standard en todos los casos, ya sea causados por un contratista de plomería, una empresa de servicios, el propietario o cualquier otra persona.
2. Deterioro por desgaste y uso normal.
3. **DAÑOS POR AGUAS DURAS O DAÑOS RESULTANTES DE ABUSO O USO INDEBIDO O POR NO HABER INSTALADO O REALIZADO EL MANTENIMIENTO DE ESTE PRODUCTO DE PLOMERÍA DE ACUERDO CON LAS INSTRUCCIONES ESCRITAS PROPORCIONADAS POR AS AMERICA, INC.**
4. **EL USO DE PRODUCTOS DE LIMPIEZA CON HIPOCLORITO DE CALCIO (CLORO), POLVOS O ESPONJAS DE LIMPIEZA ABRASIVOS NO ESTARÁ CUBIERTO.**
5. **EL USO DE VELAS AROMÁTICAS DEMASIADO CERCA DE ESTE PRODUCTO PUEDE PRODUCIR MANCHAS PERMANENTES EN EL ACABADO.**
6. Gastos de mantenimiento normal.
7. Todos los costos de remoción, transporte, mano de obra, reinstalación u otros costos, incluso gastos de franqueo y/o envío para obtener servicio de garantía serán pagados por el consumidor.
8. **CUALQUIER RESPONSABILIDAD CIVIL POR DAÑOS INDIRECTOS O INCIDENTALES, TODOS LOS CUALES QUEDAN EXPRESAMENTE EXCLUIDOS POR EL PRESENTE DOCUMENTO. CUALQUIER GARANTÍA IMPLÍCITA, INCLUSO LAS GARANTÍAS DE COMERCIABILIDAD O IDONEIDAD PARA UN PROPÓSITO PREVISTO, QUEDA ESPECÍFICAMENTE EXCLUIDA.** (Algunas jurisdicciones no permiten limitaciones con respecto a la vigencia de una garantía implícita o la exclusión o limitación de daños incidentales o indirectos, de modo que estas limitaciones y exclusiones pueden no corresponderle.)
9. La responsabilidad por el cumplimiento de requisitos de códigos locales QUEDA EXCLUIDA DE ESTA GARANTÍA. (Como los requisitos de códigos locales varían ampliamente, los distribuidores, concesionarios, contratistas instaladores y usuarios de productos de plomería deben determinar si existe alguna restricción en los códigos con respecto a la instalación al uso de un producto específico.)

Esta garantía limitada le otorga derechos legales específicos. Los derechos estatales que usted pueda tener y que varían de un estado a otro o de una provincia a otra, no quedan afectados por esta garantía limitada.

Para obtener servicio bajo esta garantía, se sugiere que se reclame por medio del contratista o el concesionario a quien o mediante quien se adquirió el producto, o que se envíe una solicitud de servicio (incluyendo una descripción del modelo del producto y del defecto) a los siguientes junto con un comprobante de compra o el recibo original:

AS America, Inc.
P.O. Box 659
West Caldwell, NJ 07007
Atención: Servicio al cliente

Servicio al Cliente por teléfono: 1-800-442-1902