

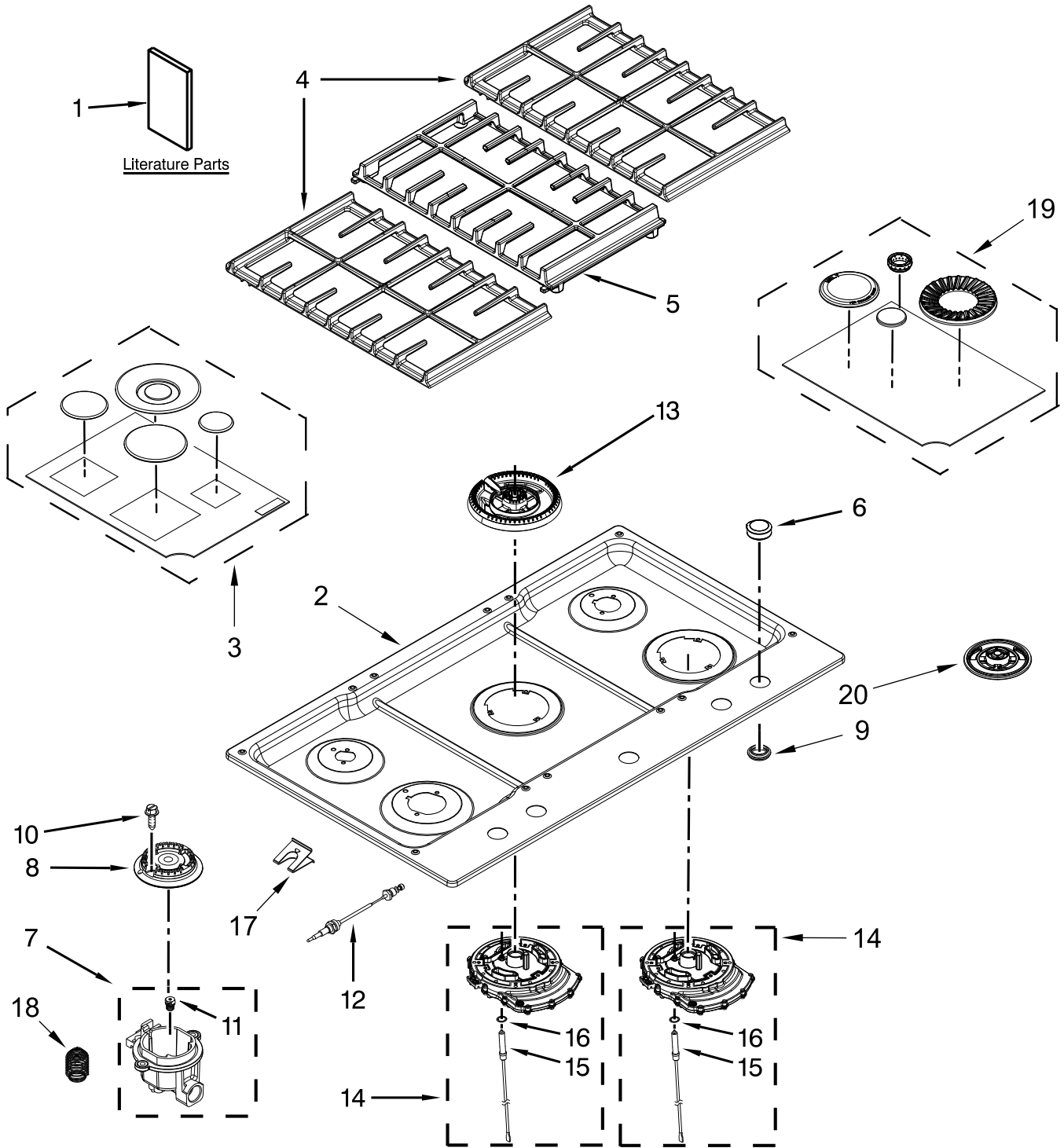
KitchenAid®

36" GAS COOKTOP WITH GRIDDLE

MODELS:

KCGS956ESS00 (Stainless)

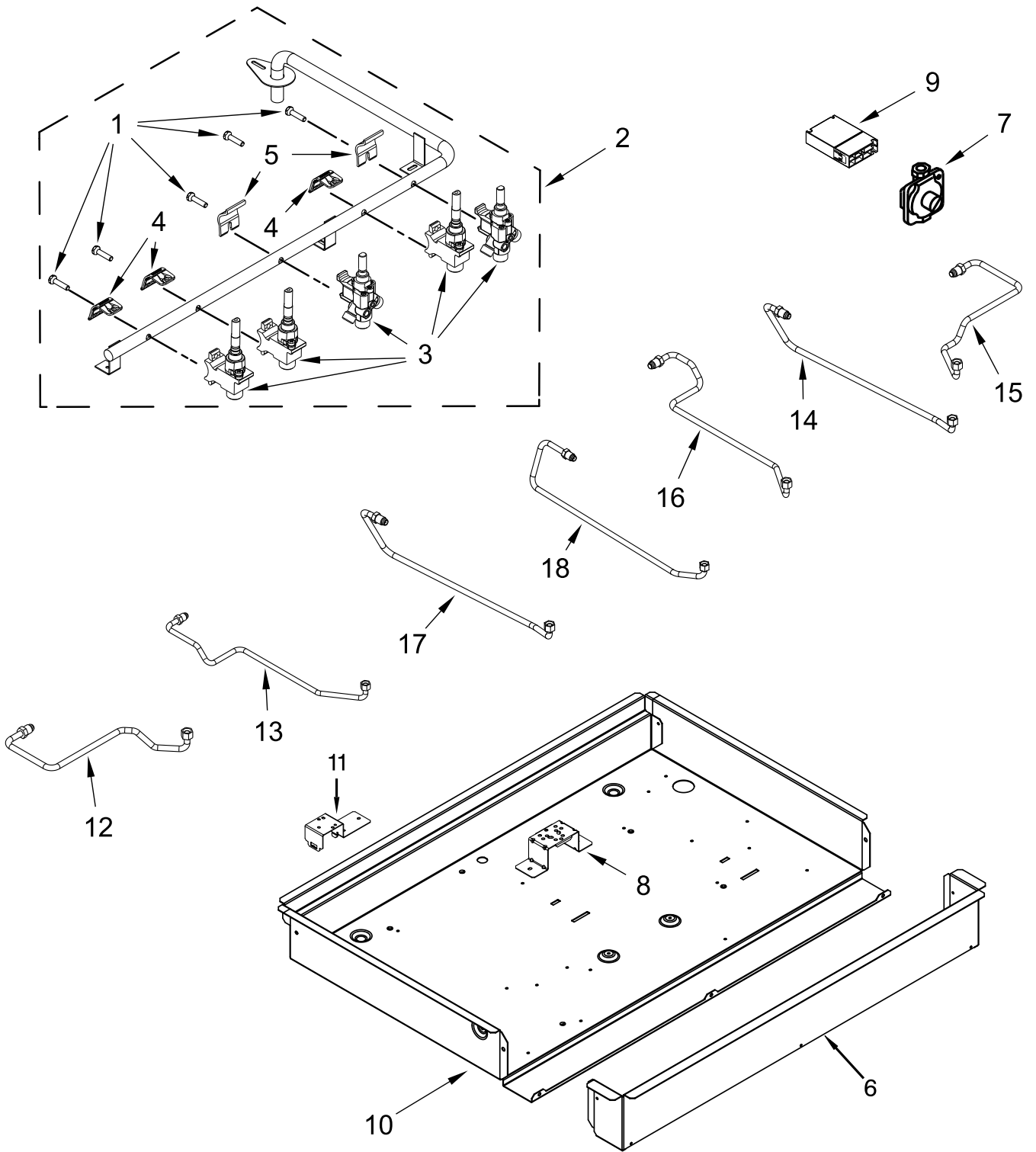
COOKTOP, BURNER AND GRATE PARTS



COOKTOP, BURNER AND GRATE PARTS

<u>Illus. No.</u>	<u>Part No.</u>	<u>Description</u>	<u>Illus. No.</u>	<u>Part No.</u>	<u>Description</u>	<u>Illus. No.</u>	<u>Part No.</u>	<u>Description</u>
1		Literature Parts	8	8286815	Head, Burner (Left Front)	14	W10617373	Assembly, Burner Base (10K) (Right Front)
	W10597144	Instructions, Installation		8286813	Head, Burner (Left Rear)		W10639175	Assembly, Burner Base (20K) (Center)
	W10672375	Instructions, Undercounter Install	9	W10593530	Bezel, Knob	15	W10657995	Electrode, Burner (Right Front)
	W10597142	Guide, Use & Care	10	8287059	Screw		W10657994	Electrode, Burner (Center)
	9762761	Tips, Safe Cooking (English)	11	W10409144	Orifice (Left Front)	16	W10416057	O-Ring
	W10065852	Tips, Safe Cooking (French)		W10151353	Orifice (Left Rear)	17	8286863	Spring, Electrode
2		Cooktop		W10674728	Orifice (Right Rear)	18	W10554297	Spring, Torch Burner
	W10722087	Stainless	12	W10628302	Wiring, Electrode (Left Front)	19		Kit, Burner Cap
3		Kit, Burner Cap		W10541843	Wiring, Electrode (Left Rear)		W10635601	Black (Includes Melt Cap)
	W10617346	Black		W10628303	Wiring, Electrode (Right Rear)	20	W10631209	Support, Flame Spreader FOLLOWING PARTS NOT ILLUSTRATED
4	W10583859	Assembly, Side Grate	13	W10730779	Spreader, Burner		W10662080	Griddle
5	W10583861	Grate, Center					W10617402	Insulation, Cooktop
6		Knobs, Cooktop						
	W10545849	Stainless						
7	W10674921	Holder, Orifice (12K) (Left Front)						
	W10674918	Holder, Orifice (6K) (Left Rear)						
	W10674919	Holder, Orifice (7K) (Right Rear)						

BURNER BOX, GAS VALVES AND SWITCH PARTS



BURNER BOX, GAS VALVES AND SWITCH PARTS

<u>Illus. No.</u>	<u>Part No.</u>	<u>Description</u>	<u>Illus. No.</u>	<u>Part No.</u>	<u>Description</u>	<u>Illus. No.</u>	<u>Part No.</u>	<u>Description</u>
1	8287057	Screw, Valve Bracket	9	W10475150	Module, Spark	17	W10545801	Tubing, Gas Burner
2	W10682075	Assembly, Manifold	10	W10710917	Box, Burner			(Center, Main)
3	W10717630	Valve, Single (Left Front)	11	W10545802	Bracket, Dual Burner	18	W10545800	Tubing, Gas Burner
	W10717631	Valve, Single (Left Rear)	12	W10545796	Tubing, Gas Burner (Left Front)			(Center, Simmer)
	W10717628	Valve, Single (Right Rear)	13	W10545797	Tubing, Gas Burner (Left Rear)			FOLLOWING PARTS NOT ILLUSTRATED
	W10717629	Valve, Dual (Right Front & Center)	14	W10545843	Tubing, Gas Burner (Right Front, Main)		W10577591	Harness, Main
4	8287055	Bracket, Single Valve	15	W10545844	Tubing, Gas Burner (Right Front, Simmer)		W10619020	Harness, Switch
5	8287056	Bracket, Dual Valve	16	W10545798	Tubing, Gas Burner (Right Rear)		W10392003	Cord, Power
6	W10705475	Panel, Front					W10132200	Relief, Strain
7	W10132345	Regulator, Pressure					7208P024-60	Seal, Manifold Pipe Inlet
8	W10594429	Bracket, Orifice Holder					W10676662	Kit, LP Conversion