

# Installation Instructions

## Side by Side Refrigerators

Design Guide  
With Installation Instructions

31-49057
224D1889P015

09-14 GE

[monogram.com](http://monogram.com)



# Safety Information


## BEFORE YOU BEGIN

Read these instructions completely and carefully.


- **IMPORTANT** – Save these instructions for local inspector's use. Observe all governing codes and ordinances.
- **Note to Installer** – Be sure to leave these instructions with the Consumer.
- **Note to Consumer** – Keep these instructions with your Owner's Manual for future reference.


If you received a damaged refrigerator, you should immediately contact your dealer or builder.

**Skill Level** – Installation of this refrigerator requires basic mechanical, carpentry and plumbing skills. Proper installation is the responsibility of the installer. Product failure due to improper installation is not covered under the GE Appliance Warranty. See the Owner's Manual for warranty information.

 This is the safety alert symbol. This symbol alerts you to potential hazards that can kill or hurt you and others. All safety messages will follow the safety alert symbol and the word "DANGER", "WARNING", or "CAUTION". These words are defined as:

 **DANGER** Indicates a hazardous situation which, if not avoided, **will** result in death or serious injury.

 **WARNING** Indicates a hazardous situation which, if not avoided, **could** result in death or serious injury.

 **CAUTION** Indicates a hazardous situation which, if not avoided, **could** result in minor or moderate injury.

 **WARNING**  **Electrical Shock Hazard.**

Plug into a grounded 3-prong outlet.

Do not remove the ground prong.

Do not use an adapter.

Immediately replace electric cords that become frayed or damaged.

Do not use an extension cord with this appliance.

Failure to follow these instructions can result in death, fire, or electrical shock.


Follow the instructions in the section *Grounding the Refrigerator*.

 **WARNING**  **Tip Over Hazard.**

These refrigerators are top heavy, especially with any doors open, and must be secured to prevent tipping forward which could result in death or serious injury. Read and follow the entire installation instructions for securing the refrigerator with the anti-tip system.

 **WARNING**  **Explosion Hazard.**

Keep flammable materials and vapors, such as gasoline, away from refrigerator. Failure to do so can result in fire, explosion, or death.

 **WARNING** To reduce the risk associated with choking, do not allow children under 3 years of age to have access to small parts during the installation of this product.

 **CAUTION** **Lifting Hazard**

This refrigerator is very heavy. To reduce the risk of person injury during maneuvering and installing this refrigerator, 3 people are required for proper installation of 36" wide model and 4 people are required for proper installation of a 42" or 48" wide model.


For Monogram local service in your area, call 1.800.444.1845.


For Monogram service in Canada, call 1.800.561.3344


For Monogram Parts and Accessories, call 1.800.626.2002.


www.monogram.com

# Consignes de Sécurité

 Ce symbole représente une alerte de sécurité. Ce symbole vous avise de dangers possibles pouvant causer la mort, des blessures ou autres. Tous les messages de sécurité seront précédés du symbole d'alerte de sécurité ainsi que des mots « DANGER », « AVERTISSEMENT » ou « MISE EN GARDE ». Ces messages sont les suivants :

 **DANGER** Signale une situation qui présente un danger imminent et qui, si elle n'est pas évitée, entraînera des blessures graves, voire la mort.

 **AVERTISSEMENT** Signale une situation qui présente un danger imminent et qui, si elle n'est pas évitée, peut entraîner des blessures graves, voire la mort. .

 **ATTENTION** Signale une situation qui présente un danger imminent et qui, si elle n'est pas évitée, peut entraîner des blessures mineures ou graves.

 **AVERTISSEMENT**  **Risque de choc électrique.**

Branchez l'appareil dans une prise triple avec terre.

Ne retirez pas la broche de terre.

N'utilisez pas d'adaptateur.

Le non-respect de ces instructions peut entraîner des risques d'incendies, des chocs électriques ou la mort.

Remplacer immédiatement tout cordon électrique effiloché ou endommagé.

N'utilisez pas de rallonge avec cet appareil.

Le non-respect de ces instructions peut entraîner des risques d'incendies, des chocs électriques ou la mort.

Suivez les instructions de la section *Mise à la terre du réfrigérateur*.

 **AVERTISSEMENT**  **Risque de basculement**

Ces réfrigérateurs présentent une partie supérieure lourde, en particulier avec une porte ouverte; ils doivent donc être fixés pour prévenir le basculement vers l'avant et le risque concomitant de blessure grave ou fatale. Lisez et suivez les instructions d'installation complètes pour l'installation du système anti-basculement.

 **AVERTISSEMENT**  **Risque d'explosion.**

Conservez les matériaux et vapeurs inflammables tels que l'essence à l'écart de votre réfrigérateur. Le non-respect de cette instruction peut entraîner un risque d'incendie, d'explosion ou de décès.

 **AVERTISSEMENT** Pour réduire le risque d'étouffement pendant l'installation de ce produit, ne pas laisser les petites pièces à la portée des enfants âgés de moins de 3 ans.

 **ATTENTION** **Risque associé à la manutention d'une charge lourde**

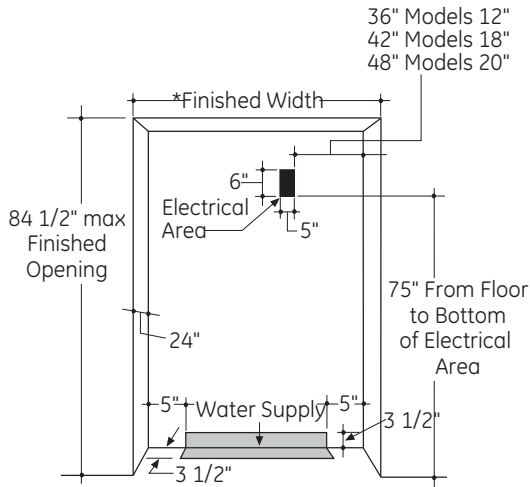
Ce réfrigérateur est très lourd. Pour réduire le risque de blessure lors de la manutention de ce réfrigérateur, trois (3) personnes sont nécessaires pour procéder à l'installation appropriée du modèle 36 pouces, quatre (4) pour l'installation des modèles 42 ou 48 pouces.

# Contents

<b>Safety</b>	2, 3	Step 4. Household Water Filtration	17
		Step 5. Install Side Panels	17
<b>Planning Guide</b>		Step 6. Install Case Trim	17
The Installation Space	5	Step 7. Anti-Tip Procedure	17-18
Dimensions and Clearances	5	Step 8. Level Refrigerator	18
90° Door Swing	10	Step 9. Secure Refrigerator to Cabinetry	18
130° Door Swing	11	Step 10. Adjust Door Swing	19
Customization Basics	6	Step 11. Remove Door Trim	19
3/4" Overlay Panel Dimensions - Flush	7	Step 12. Layout Decorative Door Panels	20-21
1/4" Framed Panel Dimensions - Standard	8	Step 13. Attach Brackets to Panels	21
3/4" Overlay Panel Dimensions - Standard	9	Step 14. Hang Decorative Door Panels	22
Dispenser Trim	12	Step 15. Layout Decorative Hood Panel	23
Side Panels	13	Step 16. Install Hood Panel	23
		Step 17. Adjust Decorative Panels	24-25
<b>Installation Instructions</b>		Step 18. Replace Trim	25
Tools, Hardware, Materials	13	Step 19. Connect Water Supply	26
Parts Identification	14	Step 20. Connect Power, Close Grille Panel	26
Grounding the Refrigerator	15	Step 21. Start Icemaker	26
Step 1. Remove Packaging	16	Step 22. Install Toekick	27
Step 2. Move Refrigerator into House	16	Inspect Final Installation	27
Step 3. Install Water Line	16		

# Design Guide

## THE INSTALLATION SPACE



\*For standard installation, the finished cutout width must be:

- 35-1/2" for 36" models
- 41-1/2" for 42" models
- 47-1/2" for 48" models

\*For flush mount installation, the finished cutout width must be:

- 39" for 36" models
- 45" for 42" models
- 52 1/2" for 48" models

### Water And Electrical Locations

The opening must be prepared with the electrical and the cold water supply located as shown.

### The cutout depth must be 24"

The refrigerator will project forward, slightly beyond adjacent cabinetry, depending on your installation.

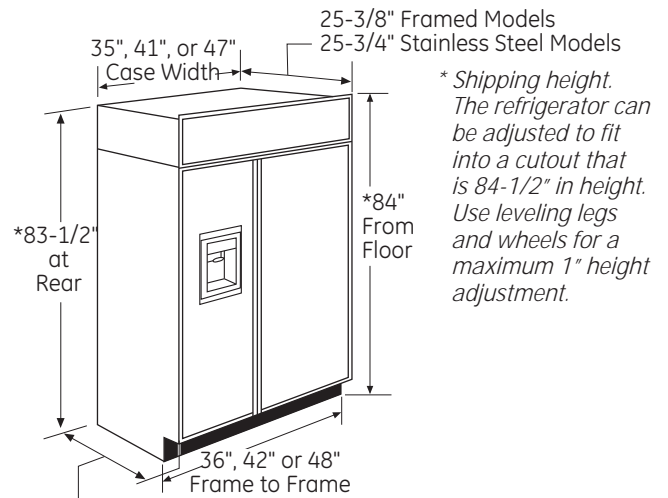
### Additional Specifications

- A 115 volt 60Hz., 15 or 20 amp power supply is required. An individual properly grounded branch circuit or circuit breaker is recommended. Install a properly grounded 3-prong electrical receptacle recessed into the back wall. Electrical must be located on the rear wall as shown.

**NOTE:** GFI (ground fault interrupter) is not recommended.

- The water line can enter the opening through the floor or back wall. The water line should be 1/4" O.D. copper tubing or GE SmartConnect™ kit between the cold water line and water connection location, long enough to extend to the front of the refrigerator. Installation of an easily accessible shut-off valve in the water line is required.

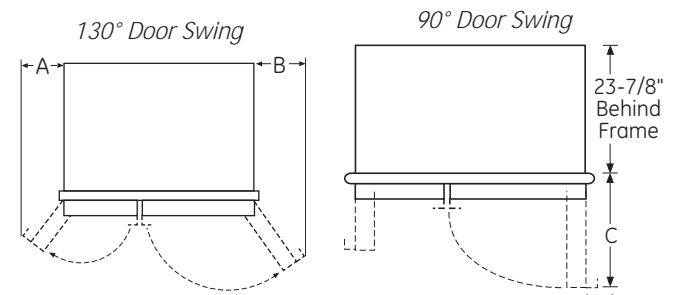
## DIMENSIONS AND CLEARANCES



Depth Including Handles:  
27-3/4" Stainless Steel Models  
28-11/16" Professional Models

### Product Clearances

These refrigerators are equipped with a 3-position door stop. The factory-set 115° door swing can be adjusted to 90° if clearance to adjacent cabinets or walls is restricted. Only standard installation can be adjusted to 130°.



Models	A	B	C
36"	13"	15"	20-5/8"
42"	13"	19"	26-5/8"
48"	15"	20"	28-5/8"

\*Min. Distance to Wall

\*4" Stainless and Trimmed Models.  
5" Pro Series

Allow minimum clearances for the freezer door (Dimension A) and fresh food door (Dimension B) for a full 130° door swing and to allow for pan removal.

For a 90° door swing, allow 4" min. clearance to a wall, for framed and stainless steel models. Allow 5" min. clearance for professional series models. If the 90° door stop position is used, pan access is maintained, but pan removal is restricted.

See the illustrations on pages 6 and 7 to determine door swing interaction with adjacent cabinets or countertops.

# Design Guide

---

## CUSTOMIZATION BASICS:

### Professional Style Stainless Steel Refrigerators

Stainless steel wrapped refrigerators have beveled edges and professional-style handles. These models are shipped ready for installation.

### Stainless Steel Wrapped Refrigerators

Stainless Steel wrapped refrigerators have wrapped doors and grille panel, beveled edges, and tubular stainless steel handles that coordinate with other Monogram appliances. These models are shipped ready for installation.

### Trimmed Refrigerators

Trimmed refrigerators are designed to be customized with decorative panels. Field installed custom door and grille panels are required.

---

### Optional Accessory Kits

ZKHSS2: Monogram Tubular Stainless Steel handles designed to fit 3/4" overlay panels.

ZKHPSS1: Professional Tubular Stainless Steel handles designed to fit 3/4" overlay panels. Kit includes one handle. Order 2 kits for side-by-side refrigerator models from your Monogram supplier

ZTK36SSH: Trim Kit for 36" Side-by-side refrigerator using custom panels for standard installation.

ZTK42SSH: Trim kit for 42" Side-by-side refrigerator using custom panels for standard installation.

ZTK48SSH: Trim kit for 48" Side-by-side refrigerator using custom panels for standard installation.

# Design Guide

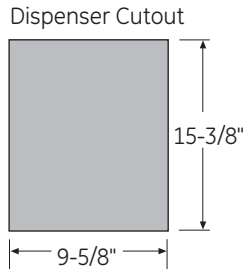
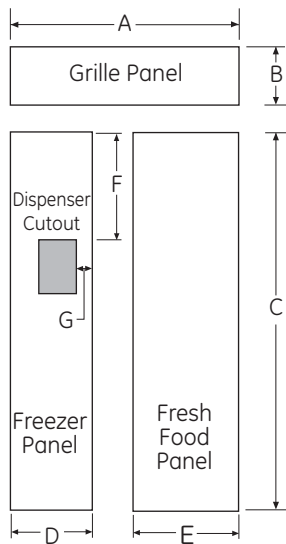
## 3/4" OVERLAY PANEL DIMENSIONS (Flush Installation Only)

For a more custom appearance, overlay panels may be installed to give a flush appearance with surrounding cabinets. The overlay panel must be 3/4" thick. Panel attaches to included brackets to provide mounting to the appliance door.

### IMPORTANT NOTE – DISPENSER MODELS

The refrigerator is supplied with matching adjustable dispenser trims. The overlay dispenser trim is designed to fit a total panel thickness of 3/4" plus up to 1/8" adjustability.

- If the panel is less than 3/4" a noticeable gap may be created around the dispenser trim.
- If the panel is more than 3/4" and fully adjusted away from door face, the dispenser trim cannot be secured to the door.

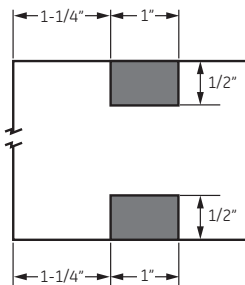


**IMPORTANT NOTE:** Maximum total weight for the assembled panels:

- Fresh food door panel – 75 lbs.
- Freezer door panel – 53 lbs.
- Grille Panel – 18 lbs.

Refrigerator	A	B	C	D	E	F	G
36" Side-by-Side (in inches)	38"	10-5/8"	68-13/16"	16-7/8"	20-7/8"	18"	3-7/16"
42" Side-by-Side (in inches)	44"	10-5/8"	68-13/16"	16-7/8"	26-7/8"	18"	3-7/16"
48" Side-by-Side (in inches)	50"	10-5/8"	68-13/16"	20-7/8"	28-7/8"	18"	5-7/16"

Dispenser  
Cutout  
Position



**Top/Bottom Hinge Clearance**  
Router 1/8" Deep

**WARNING**



### Door Trim Pinch Point Hazard

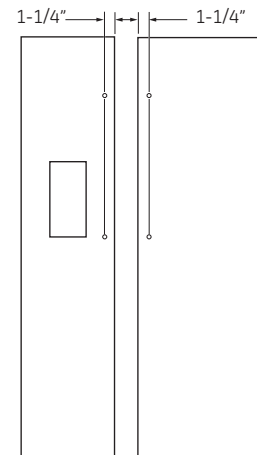
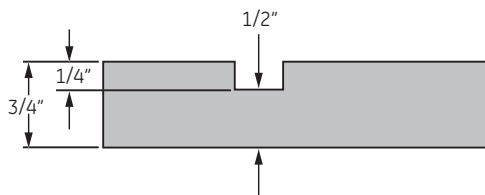
Improper installation can lead to a finger pinch point hazard between the side door trim and the cabinets when operating the door, especially with children. To minimize this risk you must follow the installation instructions for cabinet dimensions, trim assembly, and door stop angle.

## CUSTOM HANDLE DESIGN GUIDE (Flush Installation Only)

For custom handle installation, counterbore holes in rear of decorative panels may not exceed 1/4" depth to ensure 1/2" material thickness remains for handle support.

**NOTE:** The counterbore must not exceed 1" in diameter.

Minimum distance from handle side edge to handle center should be 1-1/4" as shown.



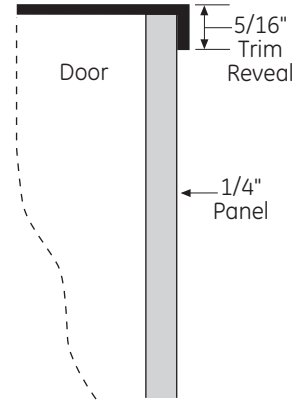
# Design Guide

## 1/4" FRAMED PANEL DIMENSIONS (Standard Installation Only)

If you choose to install framed panels, they must be cut to the dimensions shown. The panels will slide into the frame on the door and grille.

### Non-Dispenser Models

If the custom panel is less than 1/4" thick and it fits loosely in the door frame it can be backed up with a piece of filler material or foam tape to improve the fit.



**IMPORTANT NOTE:** Maximum total panel weight:

- Fresh food door panel – 75 lbs.
- Freezer door panel – 53 lbs.
- Grille Panel – 18 lbs.

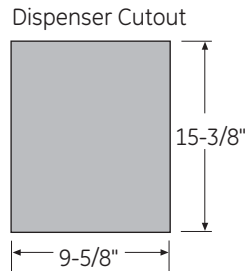
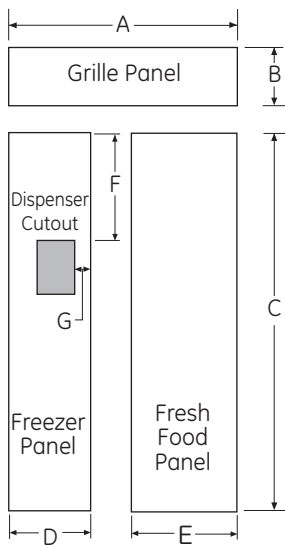
### IMPORTANT NOTE – DISPENSER MODELS

The refrigerator is supplied with two dispenser trims, one for framed panels and one for overlay panels.

- If the panel is less than 0.250" thick, a noticeable gap may be created around the dispenser trim. Foam tape may be applied on the door to improve the fit.

- If the panel is more than 0.250" thick, the dispenser trim cannot be secured to the door.

See **Dispenser Trim Fit Example**, page 12.



The framed panel must be 1/4" nominal thickness to fit the dispenser trim.

Side-by-Side (in inches)	Dispenser Cutout Position						
	A	B	C	D	E	F	G
36" Models	33-7/8	9	68-3/8	14-9/16	18-9/16	17-13/16	3-1/8
42" Models	39-7/8	9-1/2	68-3/8	14-9/16	24-9/16	17-13/16	3-1/8
48" Models	45-7/8	9-1/2	68-3/8	18-9/16	26-9/16	17-13/16	5-1/8



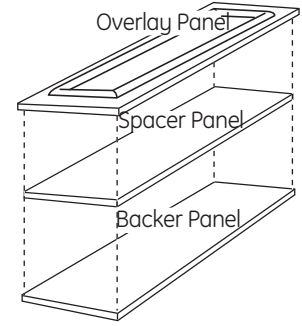
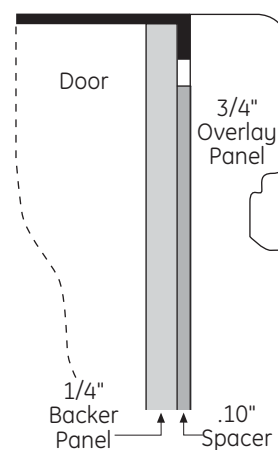
# Design Guide

## 3/4" OVERLAY PANEL DIMENSIONS (Standard Installation Only)

For a more custom appearance, overlay panels may be installed on trimmed models. The overlay panel must be secured to a 1/4" thick backer panel which slides into the trim. A spacer panel 0.10" thick must be placed between the overlay and backer panel.

### Assemble the panels with glue and screws:

- Center the spacer panel on the backer panel, left to right and top to bottom. Secure the panels with glue.
- Center the spacer and backer panel on the overlay panel and secure with glue and screws. Screws must be countersunk into the backer panel.



**NOTE:** Left-to-right offset is not always equal to top-to-bottom offset.

$$.250" + .10" + .750" = 1.100" \text{ Total Panel Thickness}$$

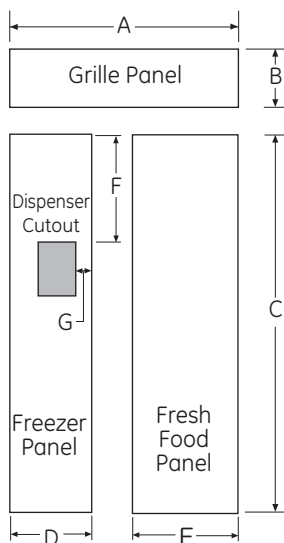
### IMPORTANT NOTE – DISPENSER MODELS

The refrigerator is supplied with two dispenser trims, one for framed panels and one for overlay panels. The overlay dispenser trim is designed to fit a total panel thickness of 1.100".

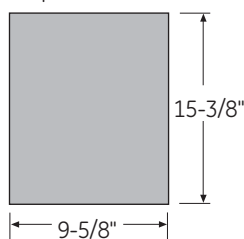
- If the panel is less than 1.100" a noticeable gap may be created around the dispenser trim.
- If the panel is more than 1.100" the dispenser trim cannot be secured to the door.

- The overlay panel must be constructed according to the specifications shown to achieve the correct total thickness.
- Alternative panel construction methods such as securing a 3/4" panel to a 1/4" backer panel cannot be used. Another method, routing a 3/4" thick panel on all sides, cannot be used. These methods will not result in the required 1.100" panel thickness.

See Dispenser Trim Fit Example, page 12.



### Dispenser Cutout



\*Cut the dispenser opening after the backer, spacer and overlay panels have been assembled.

**IMPORTANT NOTE:** Maximum total weight for the assembled panels:

- Fresh food door panel – 75 lbs.
- Freezer door panel – 53 lbs.
- Grille Panel – 18 lbs.

### 36" Side-by-Side (in inches)

	A	B	C	D	E	*Dispenser Cutout Position	
	A	B	C	D	E	F	G
1/4" Backer Panel	33-7/8	9	68-3/8	14-9/16	18-9/16		
.10" Spacer Panel	33	8-3/8	67	13-1/4	17-1/4		
3/4" Overlay Panel	34-1/8	9-1/4	68-5/8	14-13/16	18-13/16	17-15/16	3-1/4

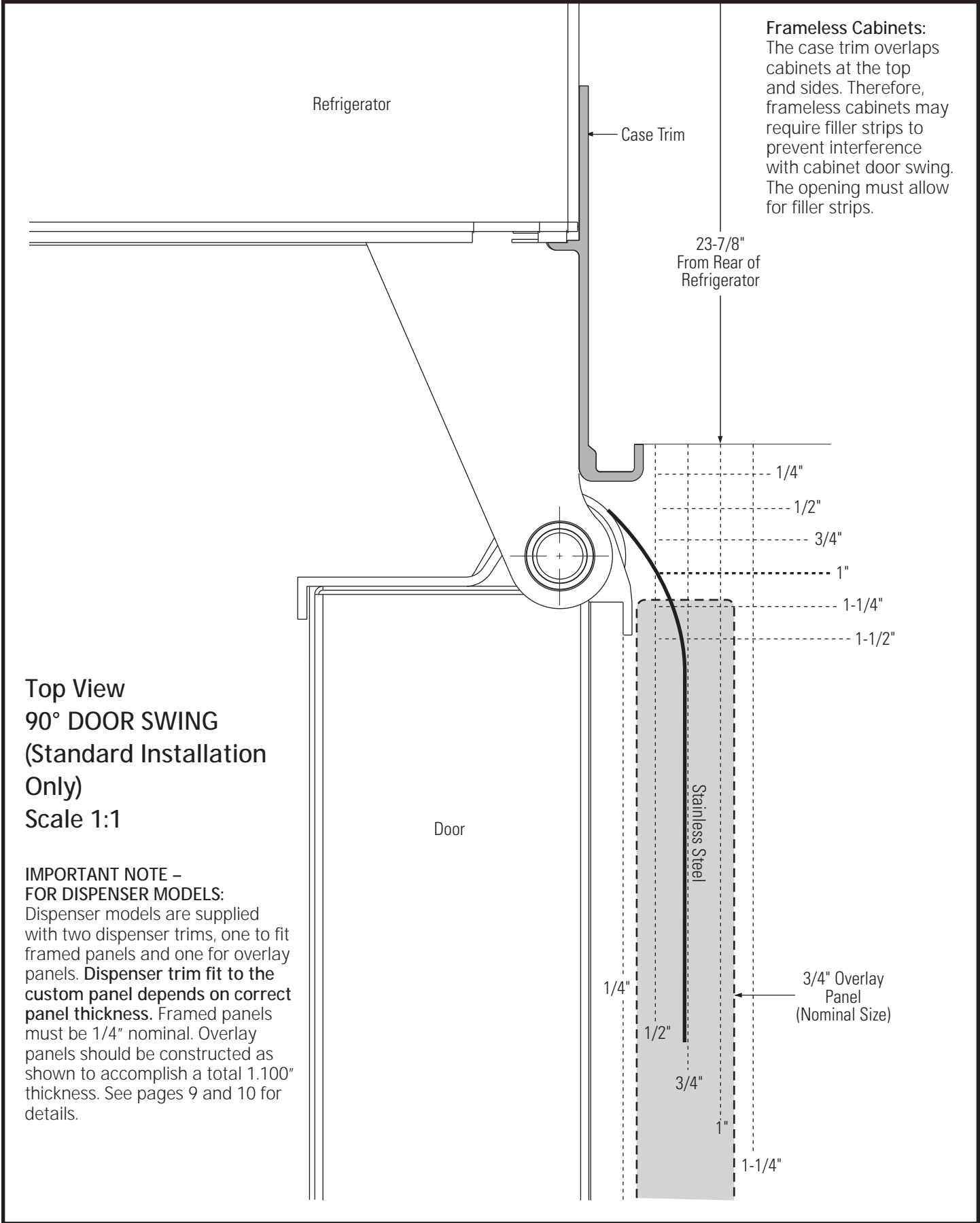
### 42" Side-by-Side (in inches)

	A	B	C	D	E	*Dispenser Cutout Position	
	A	B	C	D	E	F	G
1/4" Backer Panel	39-7/8	9-1/2	68-3/8	14-9/16	24-9/16		
.10" Spacer Panel	39	8-5/8	67	13-1/4	23-1/4		
3/4" Overlay Panel	40-1/8	9-3/4	68-5/8	14-13/16	24-13/16	17-15/16	3-1/4

### 48" Side-by-Side (in inches)

	A	B	C	D	E	*Dispenser Cutout Position	
	A	B	C	D	E	F	G
1/4" Backer Panel	45-7/8	9-1/2	68-3/8	18-9/16	26-9/16		
.10" Spacer Panel	45	8-5/8	67	17-1/4	25-1/4		
3/4" Overlay Panel	46-1/8	9-3/4	68-5/8	18-13/16	26-13/16	17-15/16	5-1/4

# Design Guide

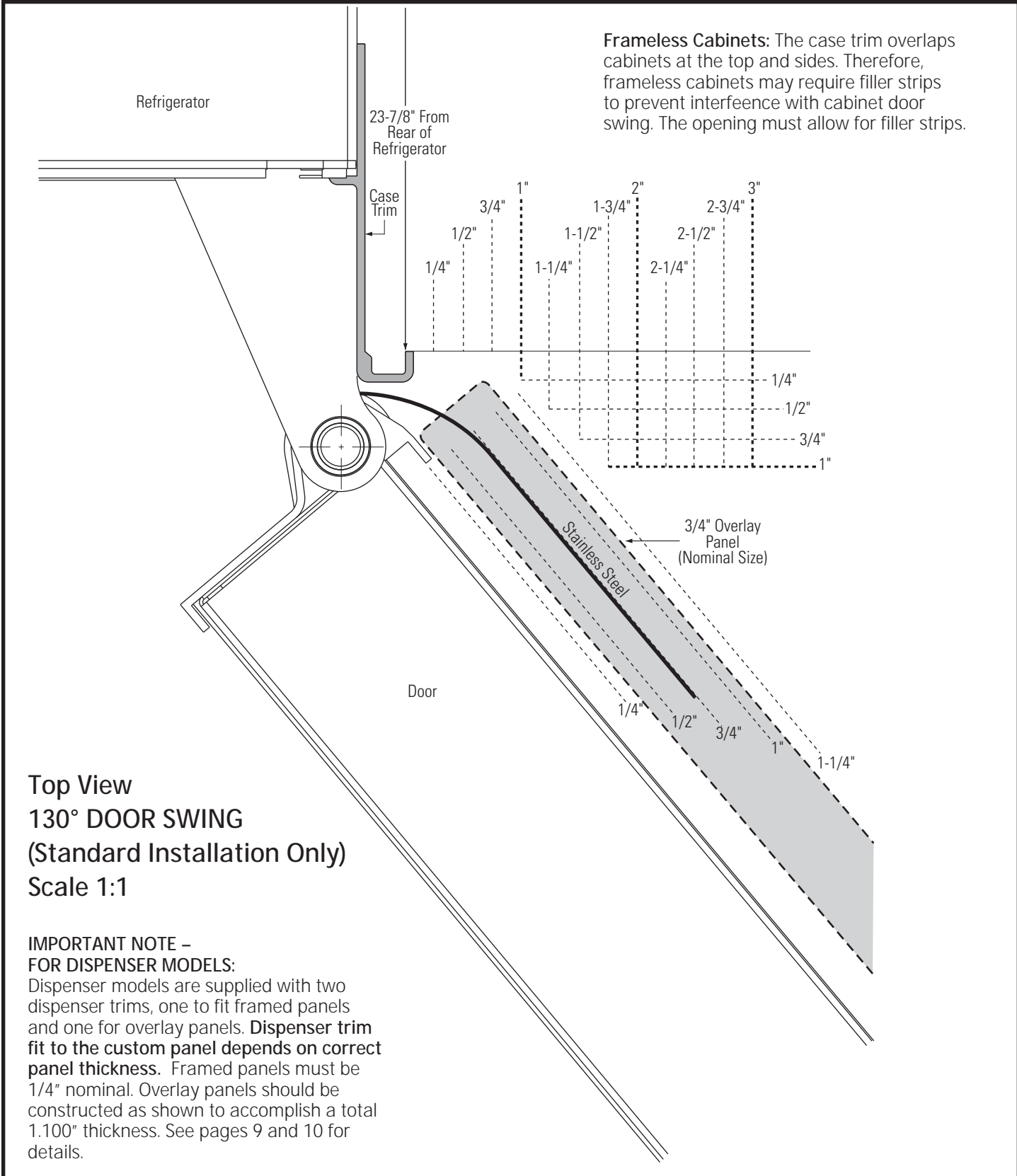


**Frameless Cabinets:**  
 The case trim overlaps cabinets at the top and sides. Therefore, frameless cabinets may require filler strips to prevent interference with cabinet door swing. The opening must allow for filler strips.

**Top View**  
**90° DOOR SWING**  
**(Standard Installation Only)**  
**Scale 1:1**

**IMPORTANT NOTE – FOR DISPENSER MODELS:**  
 Dispenser models are supplied with two dispenser trims, one to fit framed panels and one for overlay panels. **Dispenser trim fit to the custom panel depends on correct panel thickness.** Framed panels must be 1/4" nominal. Overlay panels should be constructed as shown to accomplish a total 1.100" thickness. See pages 9 and 10 for details.

# Design Guide

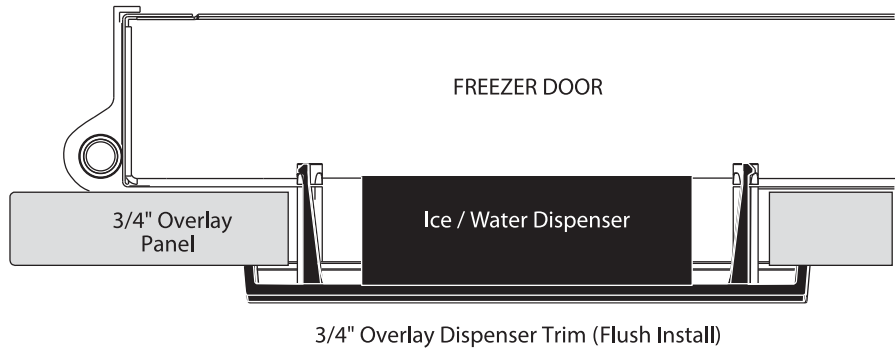


# Design Guide

## DISPENSER TRIM FIT EXAMPLES: (NOT TO SCALE)

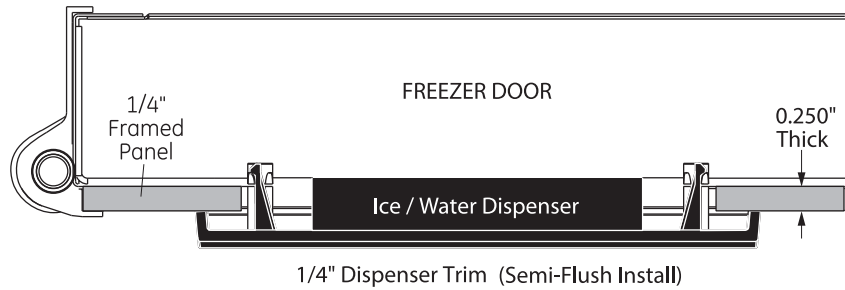
### 3/4" OVERLAY PANEL (Flush Installation Only)

- The dispenser trim fits over the custom panel and snaps into the freezer door.



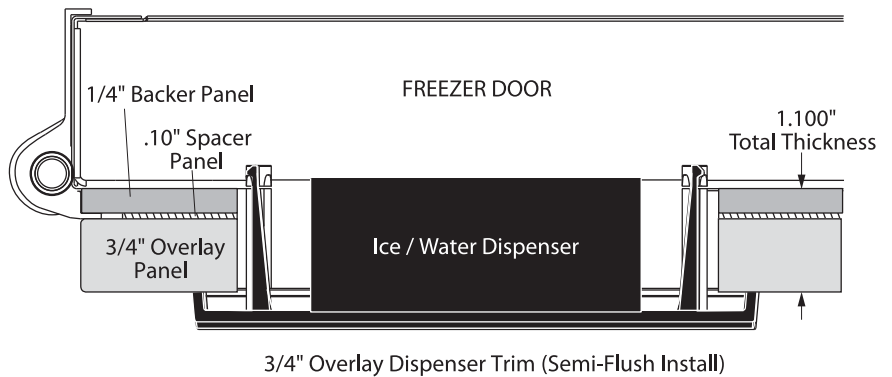
### 1/4" FRAMED PANEL (Standard Installation Only)

- The dispenser trim fits over the custom panel and snaps into the freezer door.
- The clips will not engage the door if the panel is more than 0.250" thick.
- If the panel is less than 0.250" thick, a noticeable gap may be created around the dispenser trim.



### 3/4" OVERLAY PANEL (Standard Installation Only)

- The dispenser trim fits over the custom panel and snaps into the freezer door.
- The clips will not engage the door if the panel is more than 1.100" thick.
- If the panel is less than 1.100" thick, a noticeable gap may be created around the dispenser trim.

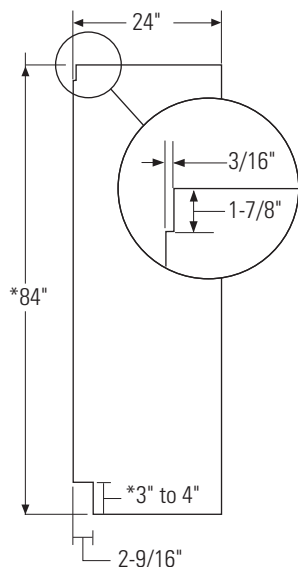


# Installation Instruction

## SIDE PANELS

Side panels must be used whenever the sides of the refrigerator will be exposed. The 1/4" side panels will slip into the side case trim. Secure the panels to the refrigerator with stick-on hook and loop fastener strips. Order the side panels from the cabinet manufacturer.

- Cut a notch in the top front corner as shown to allow clearance for corner keys in the front side trim.



\* Depending on installation height.

## HARDWARE SUPPLIED

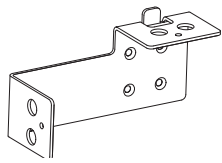
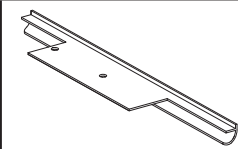
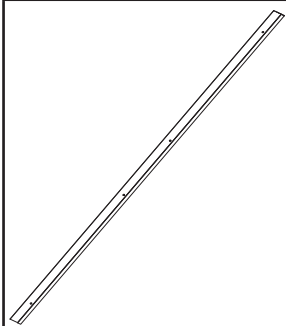
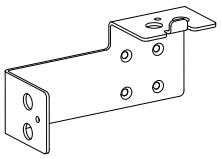
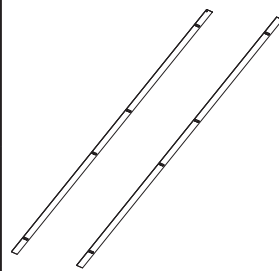
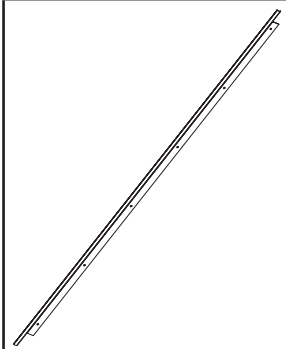
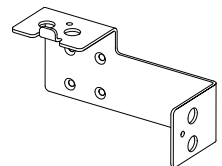
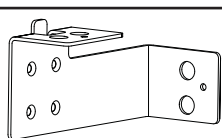
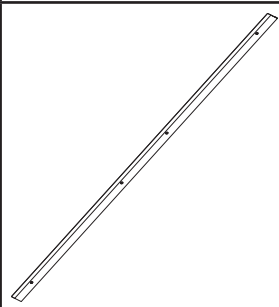
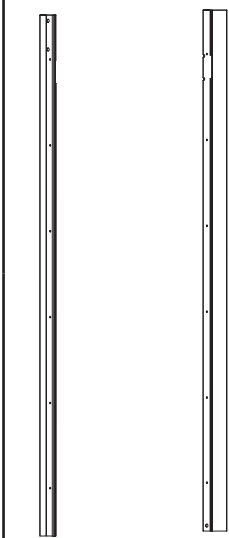
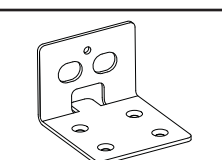
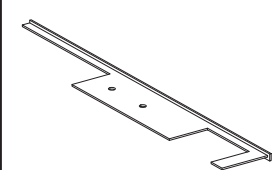
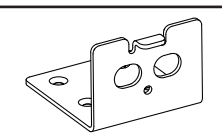
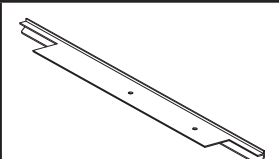
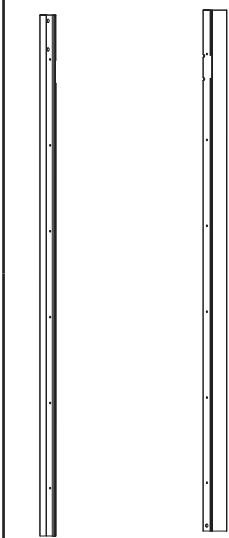
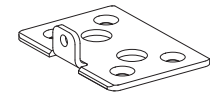
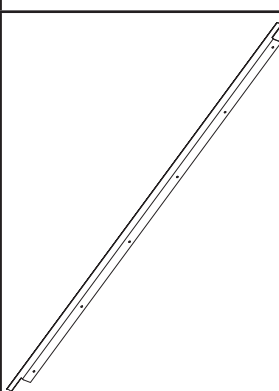
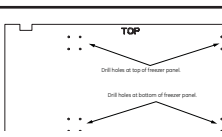
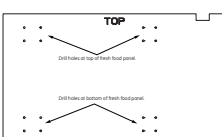
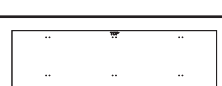
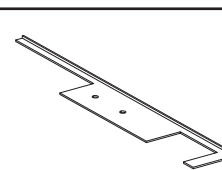
- Water filter bypass plug
- Toekick
- 1/4" nut and ferrule
- Dispenser trim for overlay panels (for use with Custom Panel models).
- Flush inset panel bracket kit
- Case trim package

## TOOLS AND MATERIALS REQUIRED

- Tinsnips to cut banding
- Stepladder
- 1" Bit extension
- Tape measure
- Gloves
- 1/4" Drywall screws
- 5-Gal. Bucket with cover
- 6" Spirit level
- Appliance hand truck
- Tubing cutter
- 7/16" open-end wrench
- #2 Phillips screwdriver
- Drill and appropriate bits
- 5/16", 7/16" socket
- Safety glasses
- 1-1/8" open end wrench
- Pliers
- 1/4", 5/16" Combo Ratchet
- 35" long 2x4 for Anti-Tip support
- 1/4" copper water line tubing or GE SmartConnect™ Refrigerator Tubing kits
- Water shut-off valve
- Custom panels for doors and grille panel
- Screws to secure refrigerator to cabinetry
- Stick-on hook and loop fastener strips for 1/4" side panels

# Installation Instruction

## PARTS IDENTIFICATION:

	Panel Bracket, Top Right		Trim, Freezer Bottom		Trim, Fresh Food Handle Side Cover
	Panel Bracket, Bottom Left		Trim, Handle Side Visor, Fresh Food		Trim, Fresh Food Hinge Side
	Panel Bracket, Bottom Right		Trim, Handle Side Visor, Freezer		
	Panel Bracket, Top Left		Trim, Freezer Handle Side Cover		Trim, Case, RH Side
	Panel Bracket, Top (2)		Trim, Fresh Food Top		
	Panel Bracket, Bottom (2)		Trim, Fresh Food Bottom		Trim, Case, LH Side
	Door Bracket (4); Installed on door		Trim, Freezer Hinge Side		
	Fresh Food Panel Template				
	Freezer Panel Template				
	Hood Template				
	Trim, Freezer Top				

# Installation Instruction

## FLOORING

For proper installation, this refrigerator must be placed on a level surface of hard material that is at the same height as the rest of the flooring. This surface should be strong enough to support a fully loaded refrigerator, or approximately 1,500 lbs.

**NOTE:** Protect the finish of the flooring. Cut a large section of the cardboard carton and place under the refrigerator where you are working.

## REFRIGERATOR LOCATION

- Do not install the refrigerator where the temperature will go below 55°F (13°C). It will not run often enough to maintain proper temperatures.
- Do not install the refrigerator where temperatures will go above 100°F (37°C). It will not perform properly.
- Do not install the refrigerator in a location exposed to water (rain, etc.) or direct sunlight.

## GROUNDING THE REFRIGERATOR

**⚠ WARNING**  **Electrical Shock Hazard.**

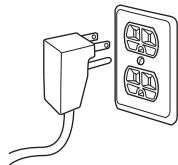
Failure to follow these instructions can result in death, fire, or electrical shock.

The power cord of this appliance is equipped with a 3-prong (grounding) plug which mates with a standard 3-prong (grounding) wall receptacle to minimize the possibility of electric shock hazard from this appliance.

Have the wall outlet and circuit checked by a qualified electrician to make sure the outlet is properly grounded.

Where a standard 2-prong wall outlet is encountered, it is your personal responsibility and obligation to have it replaced with a properly grounded 3-prong wall outlet.

DO NOT, UNDER ANY CIRCUMSTANCES, CUT OR REMOVE THE THIRD (GROUND) PRONG FROM THE POWER CORD.



DO NOT USE AN ADAPTER PLUG TO CONNECT THE REFRIGERATOR TO A 2-PRONG OUTLET.

DO NOT USE AN EXTENSION CORD WITH THIS APPLIANCE.

## MISE À LA TERRE DU RÉFRIGÉRATEUR

**⚠ AVERTISSEMENT**  **Risque de choc électrique.**

Le non-respect de ces instructions peut entraîner des risques d'incendies, des chocs électriques ou la mort.

Le cordon d'alimentation de cet appareil est équipé d'une fiche à trois broches (pour une mise à la terre) qui s'adapte à la prise de courant standard à 3 broches (pour une mise à la terre) pour minimiser les risques de chocs électriques par cet appareil.

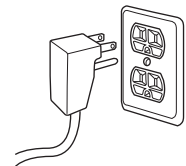
Faites vérifier la prise murale et le circuit électrique par un électricien qualifié pour s'assurer que le système est correctement mis à la terre.

Dans le cas d'une prise biphasée, l'installateur a la responsabilité et l'obligation de la remplacer par une prise triphasée correctement mise à la terre.

NE COUPEZ PAS OU N'ENLEVEZ PAS, SOUS AUCUN PRÉTEXTE, LA TROISIÈME BROCHE DE MISE À LA TERRE DU CORDON D'ALIMENTATION.

N'UTILISEZ PAS D'ADAPTATEUR POUR BRANCHER LE RÉFRIGÉRATEUR À UNE PRISE BIPHASÉE.

N'UTILISEZ PAS DE RALLONGE AVEC CET APPAREIL.



# Installation Instructions

## STEP 1 REMOVE PACKAGING

**WARNING**  **Tip Over Hazard.**

The refrigerator is much heavier at the top than at the bottom—be careful when moving. When using a hand truck, handle from the side only.

**AVERTISSEMENT**  **Risque de basculement**

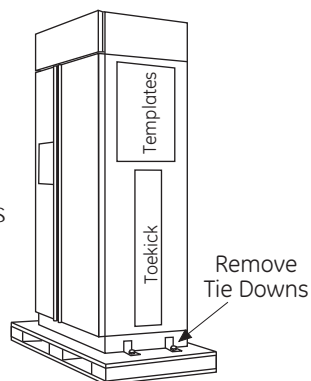
Le réfrigérateur est beaucoup plus lourd en haut qu'en bas. Il faut être prudent lors des déplacements. Si un diable est utilisé, il faut soulever le réfrigérateur sur le côté seulement.

- Carefully cut banding at the top and bottom, remove the outer carton.
- Slide out the back corner posts (2).
- Slide the carton off the top of the cabinet.

**NOTE:** IT IS NOT NECESSARY TO LAY THE CABINET DOWN IN ORDER TO REMOVE THE SKID!

- The unit is secured to the skid with 4 slotted tie-down straps. Remove the six 7/16" bolts from the base channels in the tie-downs.
- Remove the six 7/16" bolts securing the straps to the skid.

**NOTE:** DO NOT ATTEMPT TO ROLL UNIT OFF SKID.



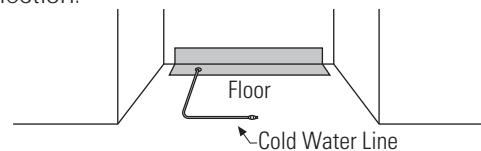
- The support blocks on the bottom of the refrigeration case must be removed before the refrigerator is taken off the skid or damage will occur. Carefully tilt the refrigerator and slide the blocks out from beneath.
- Remove the toekick and set aside for final installation.
- Lift the refrigerator off the skid with an appliance dolly. Handle from the sides.

## STEP 2 MOVE THE REFRIGERATOR INTO THE HOUSE

- Re-use the corner posts from the packaging to protect stainless steel models. Run the appliance dolly straps over the posts and under the handles.
- Leave the protective film on the refrigerator until installation is complete. **IMPORTANT:** Never lift the refrigerator by the handle or push against the grill panel; this could cause damage or misalignment.
- Avoid laying the unit on its back or side to prevent sealed system restrictions.

## STEP 3 INSTALL WATER LINE

- A cold water supply is required for automatic icemaker operation. The water pressure must be between 40 and 120 p.s.i.
- Route 1/4" OD copper or GE SmartConnect™ plastic tubing between house cold water line and the water connection location.
- The tubing should be long enough to extend to the front of the refrigerator. Allow enough tubing to accommodate the bend leading into the water line connection.



**NOTE:** The only GE approved plastic tubing is supplied in the GE SmartConnect™ Refrigerator Tubing kits. Do not use any other plastic water supply line because the line is under pressure at all times. Other types of plastic may crack or rupture with age and cause water damage to your home.

GE SmartConnect™ Refrigerator Tubing Kits are available in the following lengths:

- 2' (.6 m) WX08X10002
- 6' (1.8 m) WX08X10006
- 15' (4.6 m) WX08X10015
- 25' (7.6 m) WX08X10025

### Shut off the main water supply.

Turn on the nearest faucet long enough to clear the line of water.

- Install a shut-off valve between the icemaker water valve and cold water pipe in a basement or cabinet. The shut-off valve should be located where it will be easily accessible.
- Turn on the main water supply and flush debris. Run about a quart of water through the tubing into a bucket. Shut off the water supply at the shut-off valve.

**NOTE:** Saddle type shut-off valves are included in many water supply kits. Before purchasing, make sure a saddle type valve complies with your local plumbing codes.

**NOTE:** Commonwealth of Massachusetts Plumbing Codes 248CMR shall be adhered to. Saddle valves are illegal and use is not permitted in Massachusetts. Consult with your licensed plumber.



# Installation Instructions

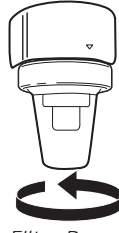
## STEP 4 INSTALLATION WITH HOUSEHOLD WATER FILTRATION SYSTEM

Skip this step if you do not have a household water filtration system

If the water supply to the refrigerator is from any household water filtration system, the filter cartridge should be removed. For better ice and water performance, remove the filter and install the filter bypass plug.



Rotate Counterclockwise To Remove



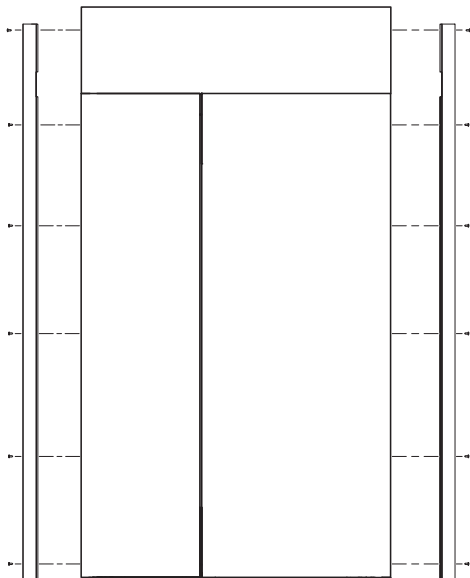
Filter Bypass Plug

## STEP 5 INSTALL SIDE PANELS

Skip this step when not using side panels. If you are using 1/4" side panels, they should be inserted into the case trim. Fasten the panels to the refrigerator with stick-on hook and loop fastener strips before setting the refrigerator in place.

## STEP 6 INSTALL CASE TRIM

Install case trim using supplied right hand and left hand case trim pieces and case trim screws. Attach case trim to each side of case as shown in illustration using case trim screws in holes provided down each side of case.



## STEP 7 ANIT-TIP PROCEDURE

### ⚠ WARNING



Tip Over Hazard.

These refrigerators are top heavy, especially with any doors open, and must be secured to prevent tipping forward which could result in death or serious injury. Read and follow the entire installation instructions for securing the refrigerator with the anti-tip system.

### ⚠ AVERTISSEMENT



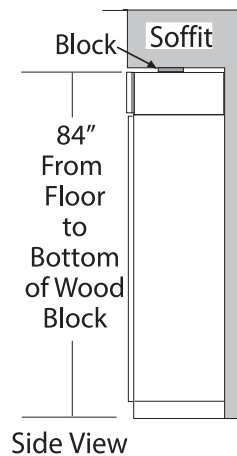
Risque de

basculement

Ces réfrigérateurs présentent une partie supérieure lourde, en particulier avec une porte ouverte; ils doivent donc être fixés pour prévenir le basculement vers l'avant et le risque concomitant de blessure grave ou fatale. Lisez et suivez les instructions d'installation complètes pour l'installation du système anti-basculement.

### Flush Installation Only

- Cut a 1/2" x 4" block, 35" long.
- Measure and mark under the soffit, 5-1/4" from the front edge of the cabinet.
- Secure the wood block to under the soffit. From the bottom of the block to the finished floor should measure 84". See the illustration.



# Installation Instructions

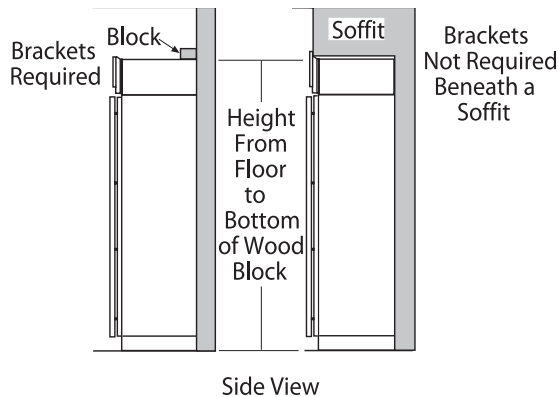
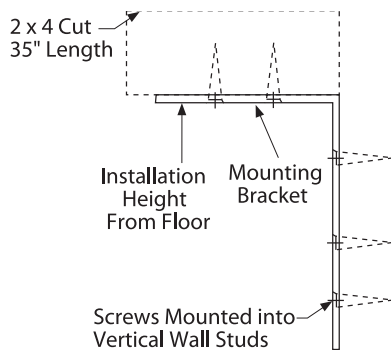
## STEP 7 ANTI-TIP PROCEDURE (Cont.)

### Standard Installation Only

- Cut a 2" x 4" block, 35" long and secure the block to the mounting brackets provided using #12 or #14 wood screws.
- Secure the bracket with wood block to the back wall so that it is 84" from the finished floor. Use #12 or #14 wood screws. See the illustration.
- The screws must penetrate at least one inch into the vertical wall studs.

### IMPORTANT NOTE FOR STANDARD INSTALLATION:

When the refrigerator is installed under a soffit or if there is not enough height for this method of security, brackets cannot be used. Proceed to step 8 to level the refrigerator and then to step 9 to secure refrigerator to cabinets. See step 8 if you have metal wall studs. The



refrigerator must be secured to prevent tipping.

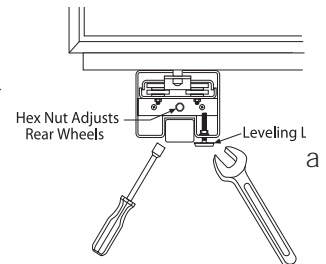
### Connect power cord:

- Before pushing the refrigerator into the opening, plug the power cord into the receptacle. Open the grille panel and reach into the opening at the back to grasp the power cord. Pull the power cord into the opening as you push the refrigerator back.
- Gently push refrigerator into the opening with hands against front corners.

## STEP 8 LEVEL REFRIGERATOR

All models have 4-point leveling. The front is supported by leveling legs, the rear is supported by adjustable wheels. Both are accessible from the front of the refrigerator.

- To level the back of the refrigerator, turn the 7/16" hex nut located above the front wheels. Turn clockwise to raise or counterclockwise to lower the refrigerator.



- For front leveling, use 1-1/4" open-end wrench.
- Adjust height of refrigerator to match installation cutout opening 84-1/2". The refrigerator should be level and plumb with cabinetry.

**NOTE (Flush Installation Only):** Raise refrigerator until the case top comes in contact with the 1/2" spacer block mounted to the underside of the cabinet soffit. Refrigerator should be level at fully raised position.

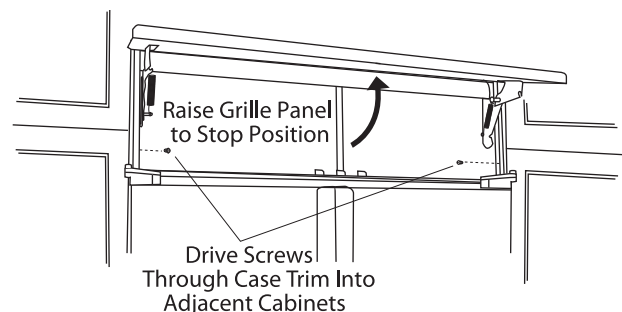
**NOTICE:** The rear leveling wheels and front leveling legs are limited to a maximum height adjustment of 1". If the installation requires more than 84-1/2" height, the installer should elevate the refrigerator on a sheet of plywood or runners. Cabinetry trim could also be added across the top of the opening to shorten the opening. **If you attempt to raise the refrigerator more than 1", you will damage the front leveling legs and the rear leveling wheels. Make adjustments in small increments.**

## STEP 9 SECURE REFRIGERATOR TO CABINETY

Whenever possible, perform this step for anti-tip security, or when anti-tip brackets cannot be used.

**The refrigerator must be secured to prevent tipping.**

- Raise the grille panel to access the machine compartment.
- **For flush inset installation only**, drill a hole in the case top and drive a screw through the top into the adjacent 1/2" block.

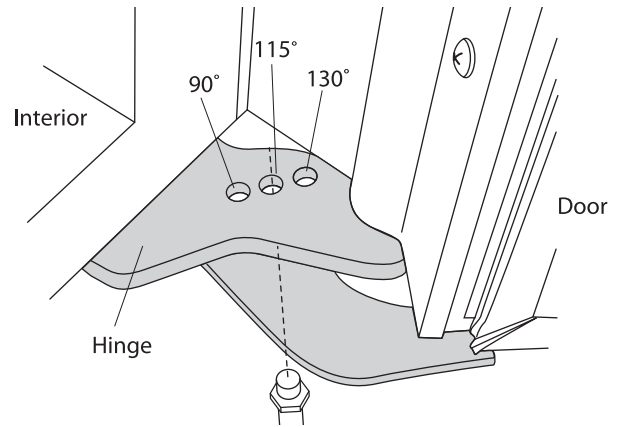


# Installation Instructions

## STEP 10 ADJUST DOOR SWING

NOTE: This refrigerator has a 3-position door stop. When space does not allow the door to swing open fully to 115°, you may change the door swing to a 90° opening. A 130° door swing option is available for standard installation only. **Skip this step if door opening is satisfactory for your installation situation.**

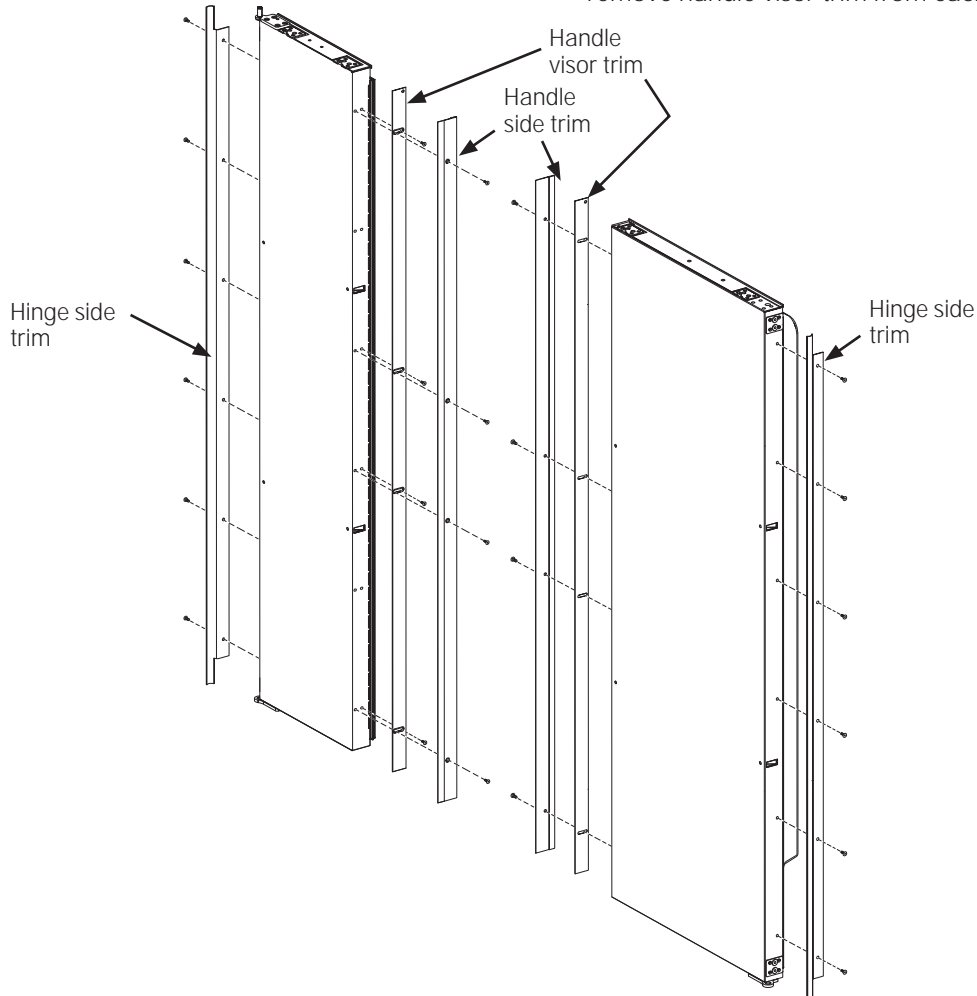
- Open the door to view the bottom hinge. Note the door stop pin locations. The pin is factory installed in the 130° position.
- Close the door. From below, use pliers to unscrew the door stop and reinstall into the 90° position.



## STEP 11 REMOVE DOOR TRIM - FLUSH INSTALLATION ONLY

Use the supplied Torx wrench or T10 Torx head driver to remove all exposed trim screws securing aluminum trim to refrigerator doors. Save all trim and screws as they will be replaced in a later step.

1. Remove screws from door hinge side of both left and right doors. Once screws are removed, remove trim from hinge side of each door.
2. Remove 4 trim screws on vertical handle side on each door to release handle cover trim. Remove the handle cover trim from the handle side of each door to expose handle visor trim underneath.
3. Remove 4 additional trim screws from handle visor trim on each door. Once screws have been removed, remove handle visor trim from each door.

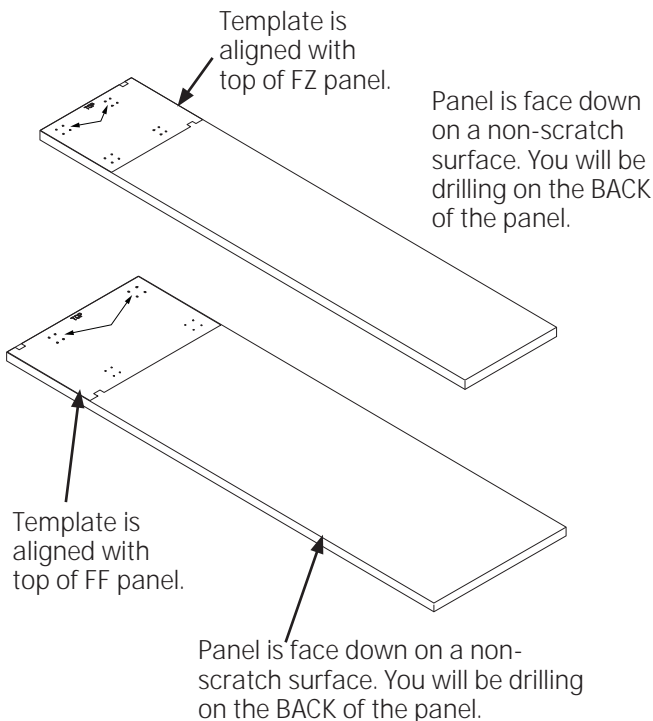


# Installation Instructions

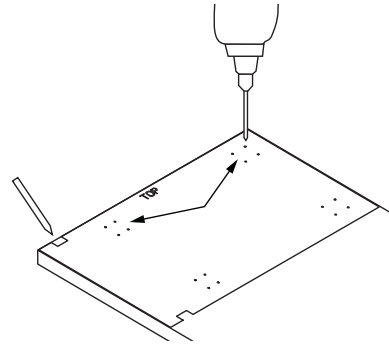
## STEP 12 LAYOUT DECORATIVE DOOR PANELS - FLUSH INSTALLATION ONLY

Decorative wood panels must be cut to a thickness of 3/4". The dimensions of each panel can be determined by referring to the specs provided with refrigerator. Panels must be predrilled to prevent accidental splitting or cracking of wood when attaching to door brackets in the next step.

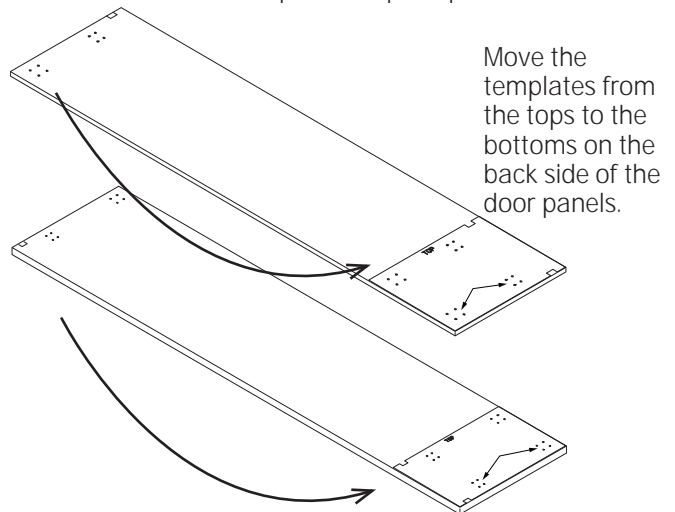
1. Cut Freezer (left) side and Fresh food (right) side panels to specified dimensions (as noted on page 11 under Design Guide).
2. Lay the Freezer and Fresh Food panels face down on a non-scratch surface.
3. Mark a vertical centerline on the backside of the Freezer and Fresh Food panels.
4. Lay supplied Fresh Food panel TEMPLATE (attached to side case of refrigerator) on the back of the Fresh Food panel with the lettering face up. See illustration to ensure proper template has been selected. Align the top, side, and centerline of the template with the top, side and centerline of the door. Tape the template to the panel using masking tape to temporarily secure it in place.
5. Repeat previous step on the Freezer door panel using the Freezer panel Template.



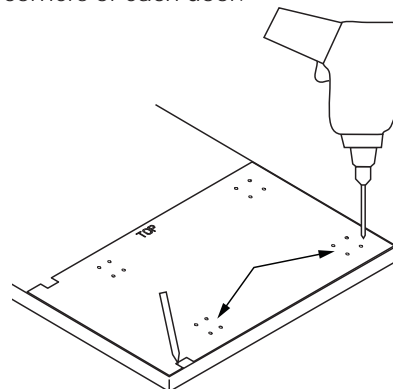
6. Using a 1/8" wood drill bit, drill pilot holes into the door panels 1/4" deep through **only the top group of holes** in the templates. Four holes will be drilled into the upper corners of each door panel.



7. Using a pencil, trace the outline of the notch out of the template at the top corner of each door. This mark will provide a guide for routing wood to provide relief for door hinge at top of door panel.
8. Remove the tape from each panel. Slide the templates to the bottom of each panel aligning the bottom, sides, and centerline of the panel with the bottom, sides and centerline of the templates. Tape in place.



9. Using a 1/8" wood drill bit, drill pilot holes into the door panels 1/4" deep through **only the bottom group of holes** in the templates. Four holes will be drilled into the bottom corners of each door.



# Installation Instructions

## STEP 12 LAYOUT DECORATIVE DOOR PANELS - FLUSH INSTALLATION ONLY (Cont.)

- Using a pencil, trace the outline of the notch out of the template at the bottom corner of each door. This mark will provide a guide for routing wood to provide relief for door hinge at bottom of door panel.
- Route out the traced areas on the rear of each panel 1/4" deep and discard the door panel templates.

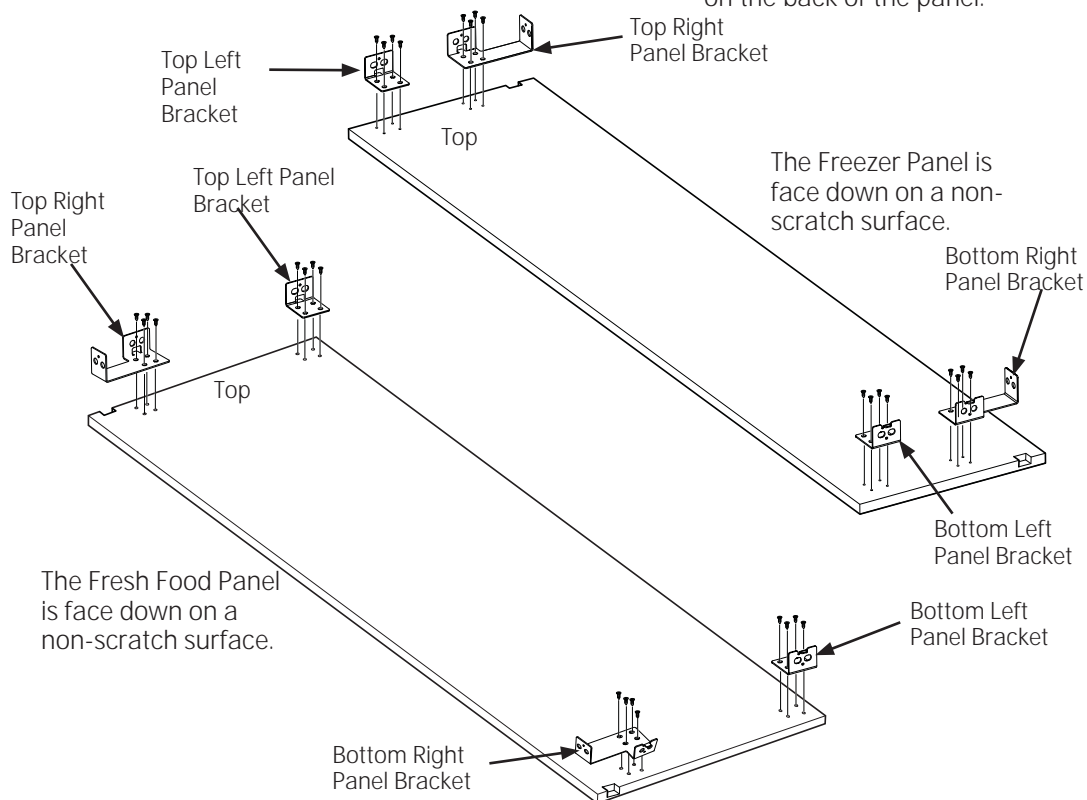
### Preparation for handles

- Lay out the location of the custom handle on the back of the door panel.
- Counter-sink the handle screw locations on back of the pane to avoid interference with the door frame. Countersink 1/4" to maintain 1/2" minimum material thickness.

## STEP 13 ATTACH BRACKETS TO PANELS - FLUSH INSTALLATION ONLY

Locate wood panel brackets and wood panel screws in Flush Inset Hardware Kit located inside the refrigerator drawer. These brackets will install to rear of decorative wood panels to provide attachment to refrigerator door brackets already installed on doors.

- Align the four tapered holes in the **top left hand panel bracket** with the four pilot holes at the top hinge side of the Freezer panel. Fasten the bracket using four screws.
- Align the four tapered holes in the **top right hand panel bracket** with the four pilot holes at the top hinge side of the Fresh Food panel making sure the angled portion of the bracket is facing the perimeter of the door. Fasten the bracket using four screws.
- Align the four tapered holes in the **bottom left hand panel bracket** with the four pilot holes at the bottom hinge side of the Freezer panel making sure the angled portion of the bracket is facing the perimeter of the door. Fasten the bracket using four screws.
- Align the four tapered holes in the **bottom right hand panel bracket** with the four pilot holes at the bottom hinge side of the Freezer panel making sure the angled portion of the bracket is facing the perimeter of the door. Fasten the bracket using four screws. Repeat with the Fresh Food panel.
- Align the four tapered holes in one of the **top panel brackets** with the four holes in the top of the Freezer door panel. Fasten the bracket using four screws. Repeat with the Fresh Food panel.
- Align the four tapered holes in one of the **bottom panel brackets** with the four holes in the bottom of the Freezer door panel making sure the angled portion of the bracket is facing the perimeter of the door. Fasten the bracket using four screws. Repeat with the Fresh Food panel.
- Install the custom handle on the front side of the door panel. A washer should be used in the countersink hole on the back of the panel.

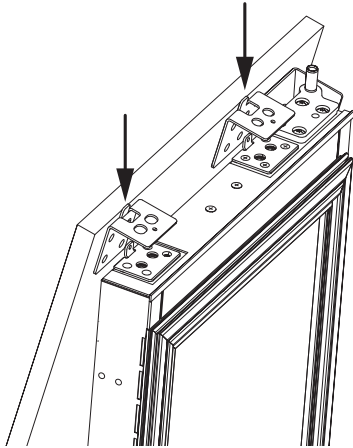


# Installation Instructions

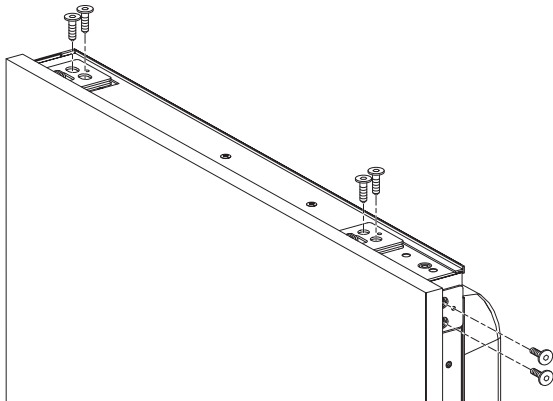
## STEP 14 HANG DECORATIVE DOOR PANELS - FLUSH INSTALLATION ONLY

Panels with attached brackets will mate with steel brackets already attached to top, sides, and bottom of refrigerator doors. Each bracket attached to the door will have two machined screws recessed inside the door to provide anchoring points for wood panel brackets to install onto the doors.

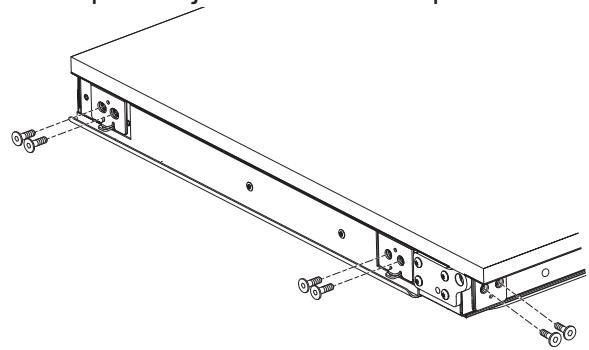
1. Lift the Fresh Food door panel to hang the panel on the fresh food door. Angle the bottom of the panel slightly away from the fresh food door. The brackets mounted at the top of the door panel will lay over the top of the brackets mounted at the top of the fresh food door. Allow the flanges of the door brackets to slide into the slot at the top of the panel brackets and gently allow the bottom edge of the panel to lay against the fresh food door as it hangs freely.



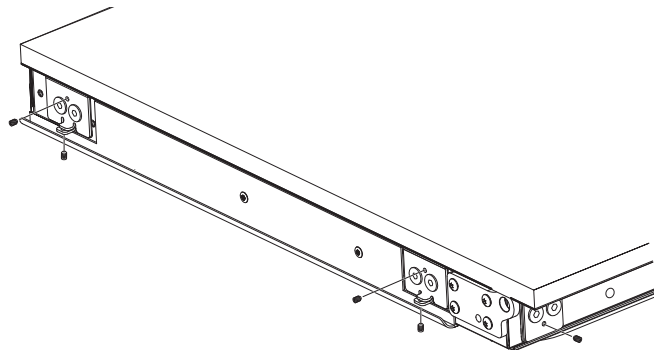
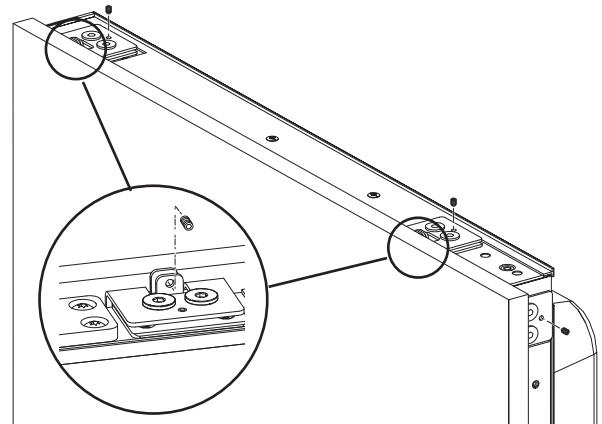
2. Repeat previous step with the freezer door panel. The brackets mounted at the top of the freezer door panel will lay over the top of the bracket mounted on the top of the freezer door.
3. Adjust the panels on each door by pushing it flush against the doors. Push each panel toward the center of the refrigerator so the panels are as close to touching each other as possible.
4. Using supplied washer-head screws, secure panel brackets mounted to the rear of the wooden panels to the refrigerator door; top, side and bottom.



Each screw should be tightened until snug, and then backed off 2-3 turns to allow for fine tuning adjustment. **NOTE: If screws are fully tightened at this stage, further panel adjustment will not be possible.**



5. Thread set screws into each of the panel brackets attached to the doors. Hinge side brackets will have 2 set screws each, going into the door. The handle side brackets will each have 1 set screw going into the door. Each panel bracket has a tab that is aligned with a tab on the door bracket. Each of these will have a set screw threaded into them (see illustration).

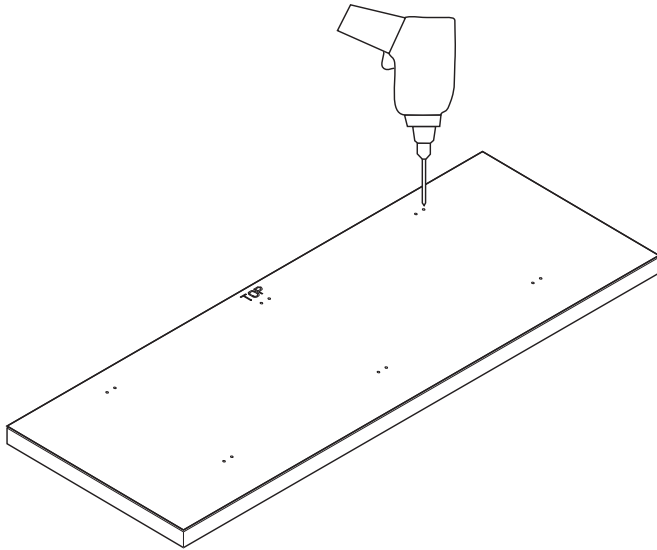


# Installation Instructions

## STEP 15 LAYOUT DECORATIVE GRILLE PANEL - FLUSH INSTALLATION ONLY

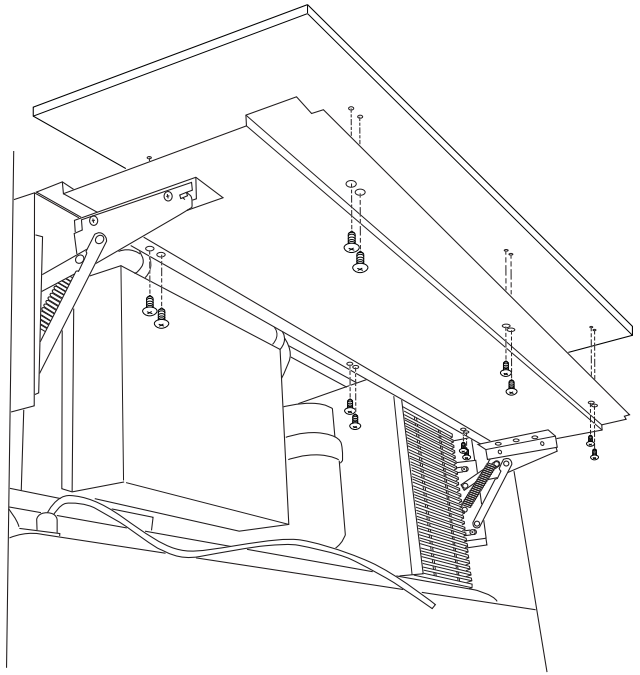
Grille area will also have decorative wood panel attached to installed steel bracket. Pilot holes are necessary to prevent splitting and cracking of wood panel.

1. Cut wooden grille panel to specified dimensions as noted on page 11.
2. Lay the grille panel face down on a non-scratch surface.
3. Mark a vertical centerline on the back side of the grille panel.
4. Lay supplied TEMPLATE to the back of the grille panel with the lettering face up. Align the top, side, and centerline of the template with the top side and centerline of the door. Tape the template in place using masking tape.
5. Using a 1/8" wood drill bit, drill pilot holes into the grille panel 1/4" deep.
6. Remove tape and discard template.



## STEP 16 INSTALL GRILLE PANEL - FLUSH INSTALLATION ONLY

1. Pull grille panel bracket in an outward motion allowing it to swing out and up to the fully open position.
2. Lay the grille panel on top of the grille panel bracket and align the pilot holes with the bracket holes from the underside.
3. Fasten the grille panel to the grille panel bracket using provided screws in bracket hardware kit.



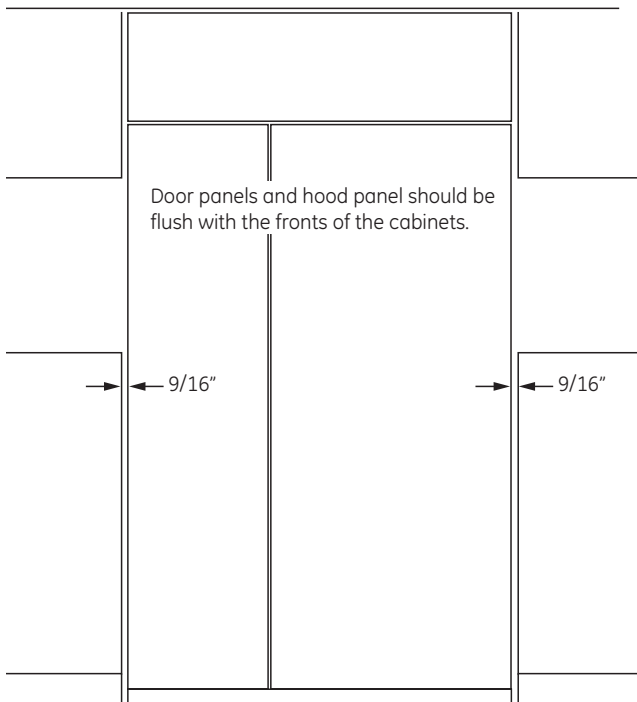
# Installation Instructions

## STEP 17 ADJUST DECORATIVE PANELS - FLUSH INSTALLATION ONLY

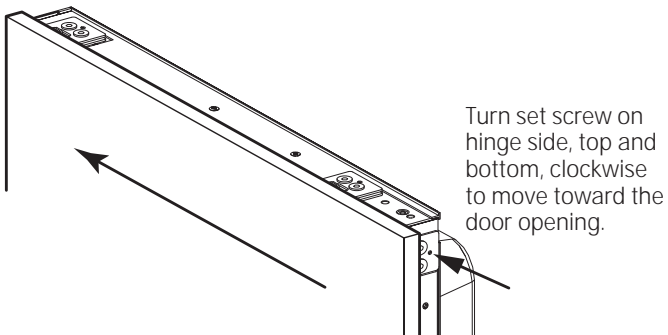
Each door panel can be adjusted approximately 1/8" both left and right, up and down, as well as outward from the door to provide planar appearance with cabinets.

**NOTICE:** Misaligned door panels from incorrect drilling or incorrect cut dimensioning may result in less possible adjustment as well as possible interferences with other attached panels and/or hardware.

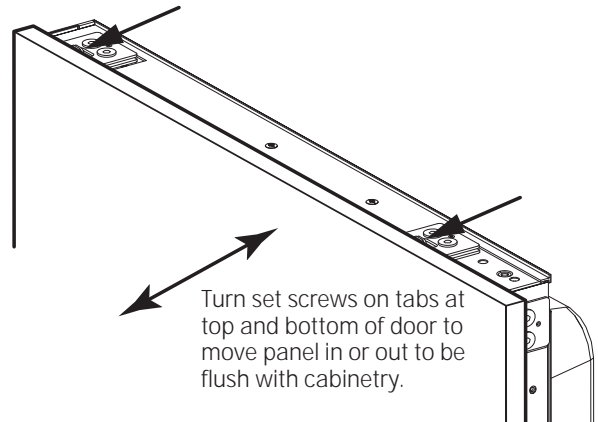
1. The gap between the outside edge of the door panels and the cabinet opening should be 9/16". Adjust panels until specified gap is maintained.



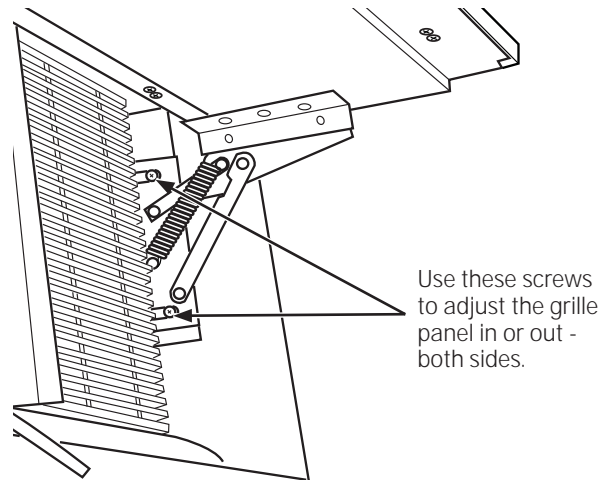
2. Turn the set screw at the hinge side (top and bottom) of the refrigerator clockwise to adjust the door panel toward the edge of the door opening. Check the gap by closing the door.



3. Check that the fresh food and freezer door panels are in plane with the face of the cabinets. The panel can be adjusted outward by turning the set screw threaded into the tab of the door bracket at the top and bottom of the door clockwise until the face of the panel is in the same plane as the cabinetry.



4. Check the flushness of the panel with the cabinetry. If the grille is not flush, adjustments can be made by loosening the screws in the slots on the hinge and moving the panel in or out. Once all adjustments are made, retighten screws and close the grille.

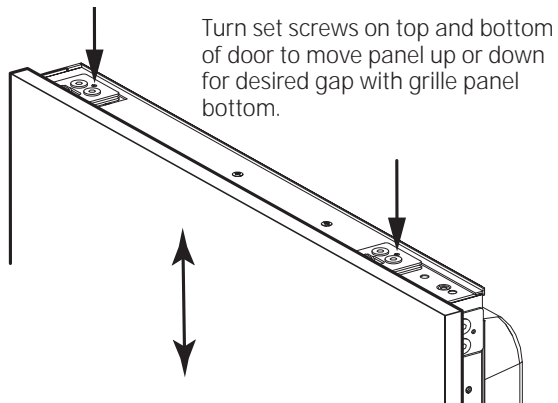




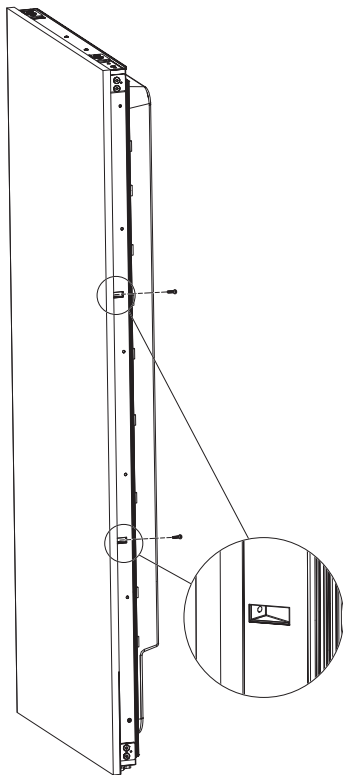
# Installation Instructions

## STEP 17 ADJUST DECORATIVE PANELS - FLUSH INSTALLATION ONLY (Cont)

5. Make the final vertical adjustment of the fresh food and freezer door panels. Using the set screw at the top of the door, turn clockwise until the desired gap between the grille panel bottom and top panels of doors appear satisfactory.

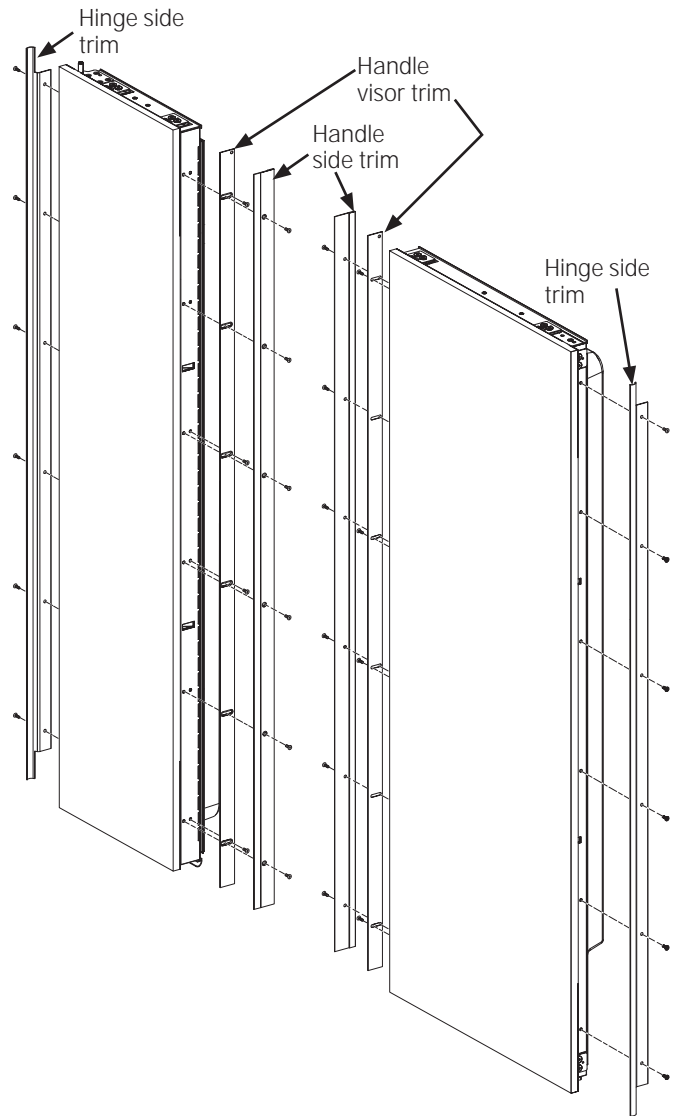


6. Tighten all washer-head screws (**NOT SET SCREWS**) firmly to secure brackets and adjustments in place. Start with bottom edge washer-head screws to provide support of the door panel. Next, moving on to top edge to prevent panel from moving from aligned position. Finish by tightening hinge side washer-head screws. **NOTE:** Over tightening washer-head screws may result in bending wood panel brackets as well as misaligning wood door panels.
7. Drive the door anchor screws through the two white plastic pockets in the side of each door and into the door panel (4 each door) to prevent panel warping over time.



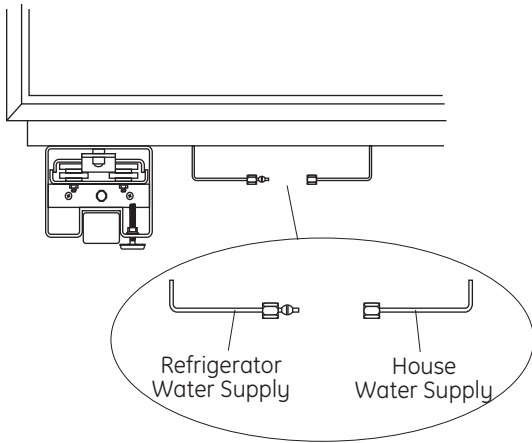
## STEP 18 REPLACE TRIM - FLUSH INSTALLATION ONLY

1. Replace trim and 6 screws on hinge side of each door.
2. Replace handle visor trim and four screws on the handle side of each door.
3. Replace trim cover and four screws over visor trim on the handle side of each door.



# Installation Instructions

## STEP 19 CONNECT WATER SUPPLY



- Locate and bring the tubing to the front of the cabinet.
- Turn the water on to flush debris from the line. Run about a quart of water through the tubing into a bucket, then shut off the water.

### Copper Tubing:

- Slip a 1/4" nut and ferrule (provided) over both ends of the copper tubing. Insert the tube into the union fitting on the unit and tighten the nut to the union.
- Turn on the water to check for leaks.

### GE SmartConnect™ Tubing:

**NOTE:** The only GE-approved plastic tubing is supplied in the GE SmartConnect™ Refrigerator Tubing kits. Do not use any other plastic water supply line because the line is under pressure at all times. Other types of plastic may crack or rupture with age and cause water damage to your home.

GE SmartConnect™ Refrigerator Tubing Kits are available in the following lengths:

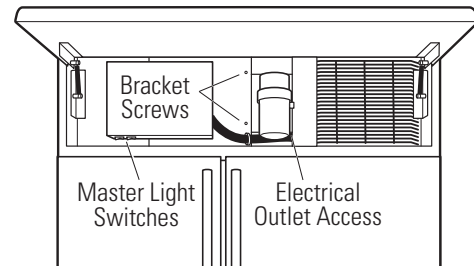
- 2' (.6 m) WX08X10002
- 6' (1.8 m) WX08X10006
- 15' (4.6 m) WX08X1 0015
- 25' (7.6 m) WX08X10025

- Insert the molded end of the tubing into the refrigerator connection. Tighten the compression nut until it is just hand tight.
- Tighten one additional turn with a wrench. Overtightening can cause leaks!
- Turn on the water to check for leaks.

**NOTE:** Make sure excess tubing length does not interfere with the toekick installation.

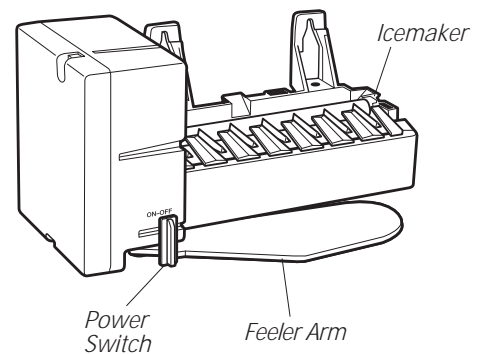
## STEP 20 CONNECT POWER, CLOSE GRILLE PANEL

- Open the grill panel.
- Plug in the power cord (if necessary) by reaching into the opening next to the water filter. If access is too tight, remove the 2 screws holding the water filter bracket and move aside. Plug in the power cord and secure the bracket with the original screws.



- Check to make sure power to refrigerator is on by opening refrigerator door to see if interior lights are on.
- The temperature controls are preset at 37°F for the fresh food section and 0°F for the freezer.
- Allow 24 hours to stabilize before making adjustments.

## STEP 21 START ICEMAKER

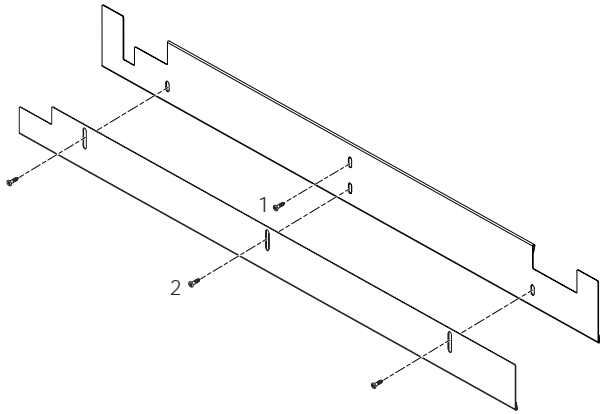


- Slide the switch to ON. The icemaker will begin operation automatically.
- Be sure nothing interferes with the sweep of the feeler arm.
- Discard the first full bucket of ice cubes.
- To turn the icemaker off, slide the switch to OFF.

# Installation Instructions

## STEP 22 INSTALL TOEKICKS

- Locate the supplied toekicks (shipped taped to the side of the refrigerator).
- Attach the LARGER toekick to the refrigerator using ONLY the top center hole (1).
- Attach the toekick skirt to the refrigerator using the three lower slots (2).

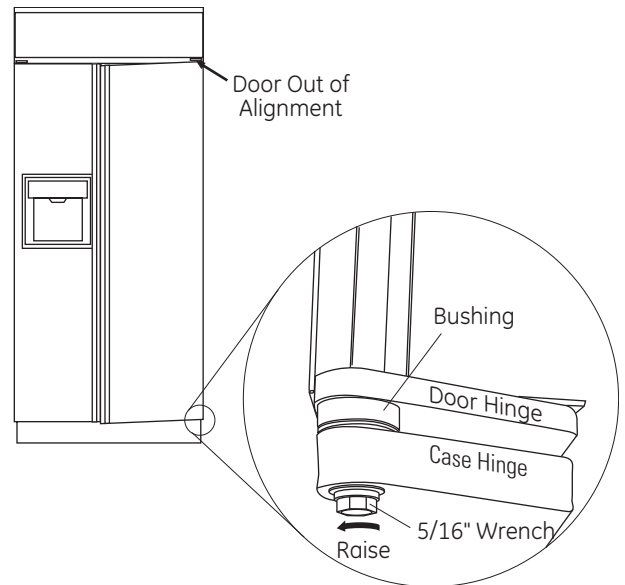


- A custom toekick can be installed to match or complement the surrounding cabinetry. Use the supplied toekick as a template to cut the shape.

## INSPECT FINAL INSTALLATION

Check door alignment. Stand back away from the refrigerator to inspect the final installation.

- Check to be sure the handles are evenly aligned with each other at the top. To adjust, loosen the handle screws and slide up or down. Tighten the screws.
- Shipping or the addition of heavy door panels may have caused the doors to move slightly out of alignment.



- If necessary, the fresh food door may be adjusted up or down to align with the freezer door.
- Use a 5/16" wrench to adjust the hinge pin as shown.

NOTE: While performing installations described in this book, safety glasses or goggles should be worn.

For Monogram® local service in your area, call 1.800.444.1845.

NOTE: Product improvement is a continuing endeavor at General Electric. Therefore, materials, appearance and specifications are subject to change without notice.

31-49057
224D1889P015

09-14 GE  
Printed in the United States



**GE**  
**Appliances**  
Appliance Park  
Louisville, KY 40225  
[GEAppliances.com](http://GEAppliances.com)