

Specifications

PF1812U

Undercounter Lavatory Vitreous China



Product Features

- Vitreous china with front overflow
- Rectangle undercounter lavatory
- Mounting clips included
- Internal basin depth: 6-5/16"
- Basin depth to overflow: 5-1/4"
- Meets ASME standard: A112.19.2M
- cUPC/IAPMO listed
- Can be mounted for ADA installation
- Available in white or biscuit



PF1812UWH

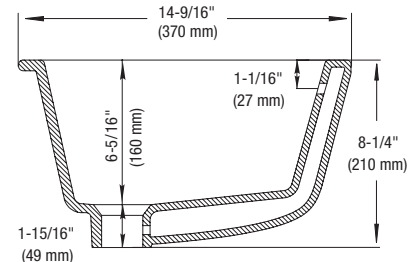
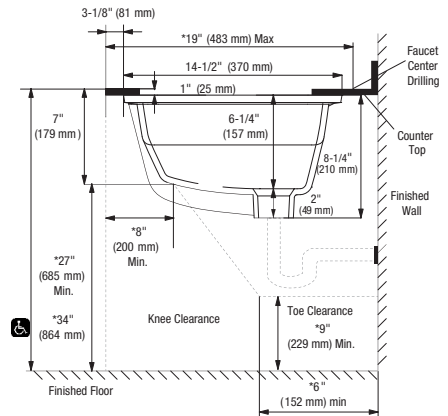
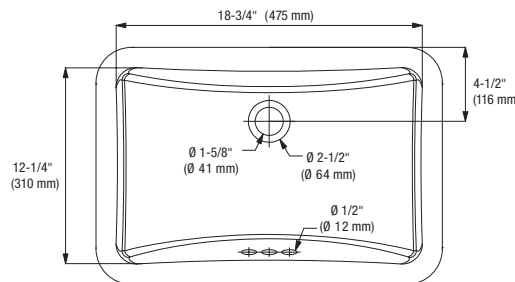
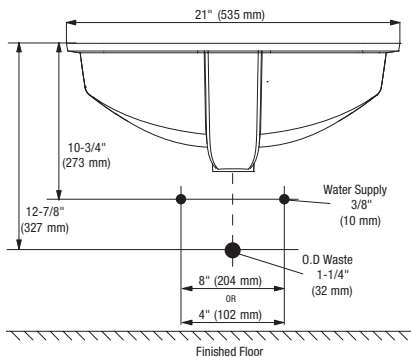
Dimensions

- Interior: 18-3/4" x 12-1/4"
- Exterior: 21" x 14-1/2"

Model Numbers

- PF1812UWH 18" x 12" VC undercounter lavatory—white
- PF1812UBS 18" x 12" VC undercounter lavatory—biscuit

Product Specifications



*All dimensions and specifications are nominal and may vary: Dimensions of 8" and greater have a tolerance of +3%. Dimensions less than 8" have a tolerance of +5%. Please utilize the current cutout template for countertop cutouts.

Warranty and Codes

This product comes complete with installation, operating, care and maintenance instructions. This PROFLO lav carries a lifetime warranty on the porcelain. This product meets or exceeds ASME/ANSI A112.19.2M. In an effort to continually improve our products, we will make design changes from time to time. We reserve the right to ship newly designed product to fill any order unless we agree in writing to do otherwise.

