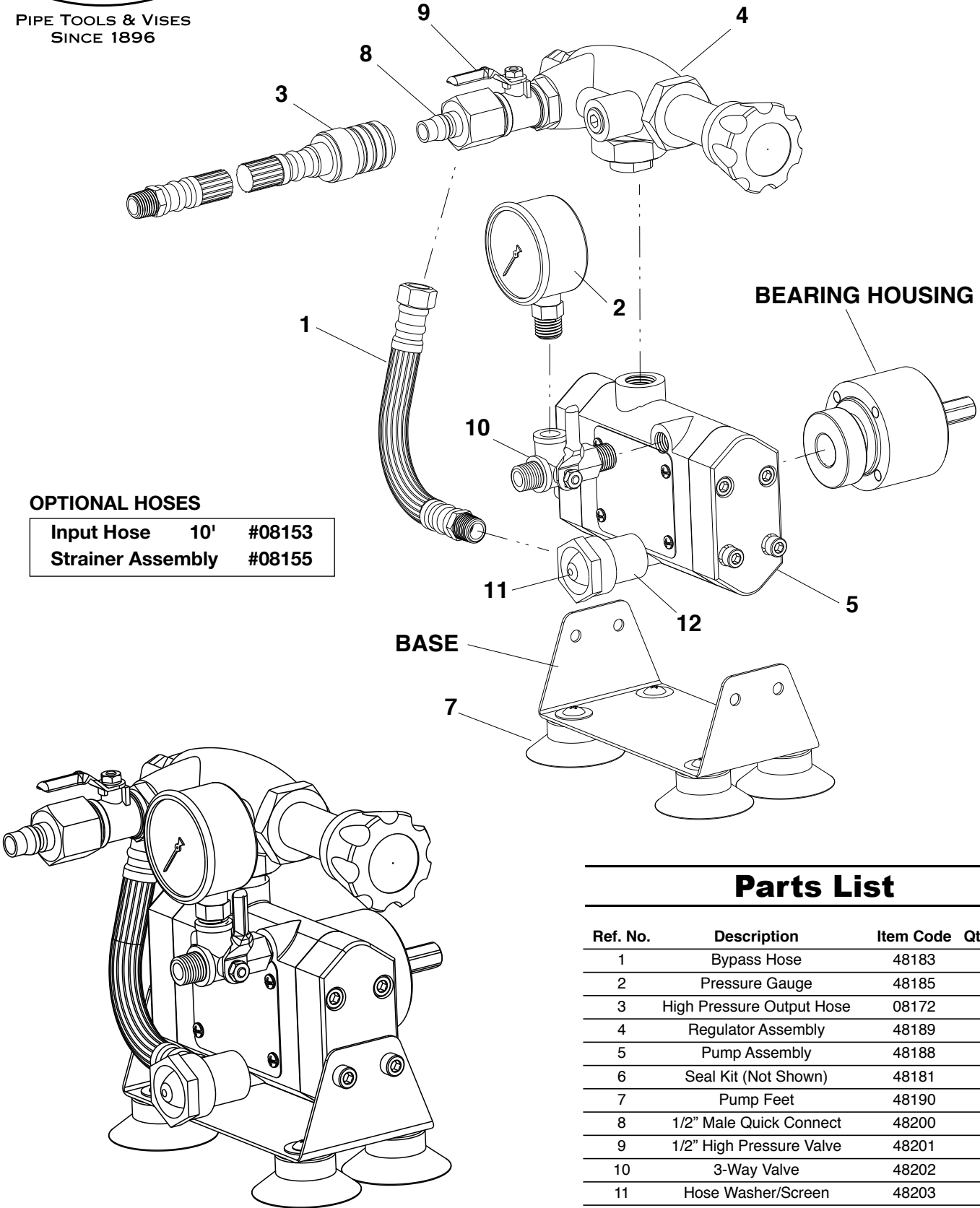




PIPE TOOLS & VISES
SINCE 1896

Drill Powered Test Pump - DPHTP500

Replacement Parts



OPTIONAL HOSES

Input Hose	10'	#08153
Strainer Assembly		#08155

Parts List

Ref. No.	Description	Item Code	Qty. Used
1	Bypass Hose	48183	1
2	Pressure Gauge	48185	1
3	High Pressure Output Hose	08172	1
4	Regulator Assembly	48189	1
5	Pump Assembly	48188	1
6	Seal Kit (Not Shown)	48181	1
7	Pump Feet	48190	4
8	1/2" Male Quick Connect	48200	1
9	1/2" High Pressure Valve	48201	1
10	3-Way Valve	48202	1
11	Hose Washer/Screen	48203	1
12	Intake Hose Fitting	48204	1

Reed Manufacturing Company
1425 West 8th Street
Erie, PA 16502 USA

QUALITY
& Service
that Last a Lifetime

Phone: 800-666-3691 or 814-452-3691
Fax: 800-456-1697 or 814-455-1697
www.reedmfgco.com