

Features

- 30-inch minimum base cabinet width.
- Single bowl.
- 9-inch depth.
- Self-Trimming apron overlaps the cabinet face for easy installation and beautiful results.
- No faucet holes.
- Rear drain increases workspace in the sink and storage space underneath.
- SilentShield® sound-absorption technology offers quieter performance.
- Includes installation hardware and a bottom basin rack.

Material

- Handcrafted from 16-gauge stainless steel.

Installation

- Under-mount apron front.

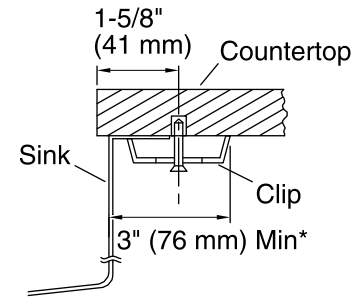
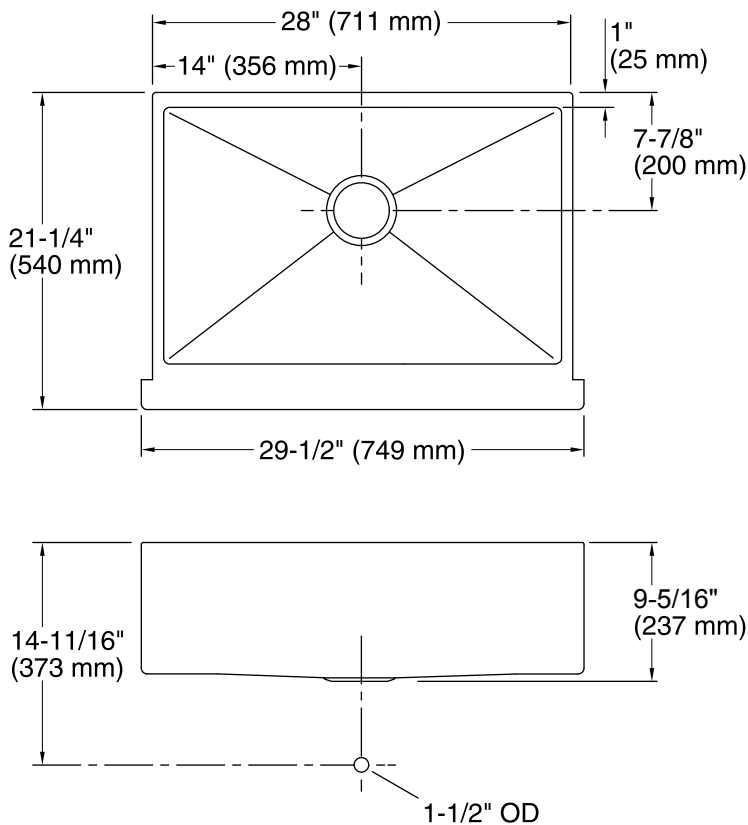


Codes/Standards

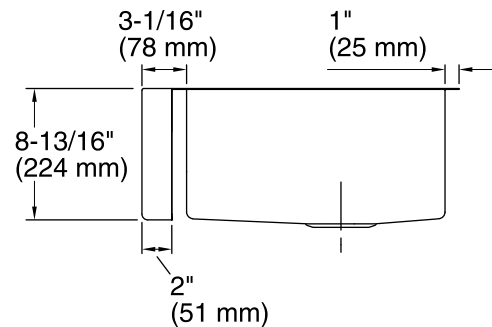
ASME A112.19.3/CSA B45.4

Lifetime Limited Warranty for KOHLER® Stainless Steel Sinks

See website for detailed warranty information.



* Allow clearance on back rim for clip attachment.



Technical Information

All product dimensions are nominal.

Bowl configuration: Single

Installation: Under-mount

Min. base cabinet width: 30" (762 mm)

Bowl area (Center)

- Length: 26-1/2" (673 mm)
- Width: 17-3/16" (437 mm)
- Bowl depth: 9" (229 mm)
- Water depth: 9" (229 mm)

Template: Apron Front, 1224139-7, required, included

Notes

Install this product according to the installation guide.

Allow a minimum of 3" (76 mm) clearance on the back rim for clip attachment.

The 3/4" (19 mm) side rim flanges are supported without using the clip attachment. See the installation guide for further instructions.