

X509 & X510 Y-STRAINER



LOW-LEAD COMPLIANT BRONZE 400 WOG Y-STRAINER

FEATURES

- 400 WOG
- 150 SWP
- End connections:
 - NPT ends (X509)
 - Sweat ends (X510)
- NSF/ANSI 372 certified
- 20 Mesh stainless steel screen
- Blow-off plug included

STANDARDS

- NPT ends: ANSI/ASME B1.20.1
- Solder ends: ANSI/ASME B16.18



Low-Lead Compliant: Referring to laws defining “Lead Free” as wetted surface of pipe, fittings and fixtures in potable water systems that have a weighted average lead content $\leq 0.25\%$ per the Safe Drinking Water Act (Sec. 1417) amended 1-4-2011 as well as other state regulations.



X509



X510

CV & WEIGHTS

Size	Cv	Wt (Lbs)	
		X509	X510
1/2	9.6	0.70	0.68
3/4	13.1	1.19	1.07
1	32.7	1.79	1.62
1-1/4	43.5	2.54	2.42
1-1/2	55.4	3.50	3.30
2	72.9	5.58	5.13

FIGURE NUMBER MATRIX

FNW X509 Size	
End Connections	Size Code
X509 = FNPT ENDS	1/2 = D
X510 = SWEAT ENDS	3/4 = F
	1 = G
	1-1/4 = H
	1-1/2 = J
	2 = K

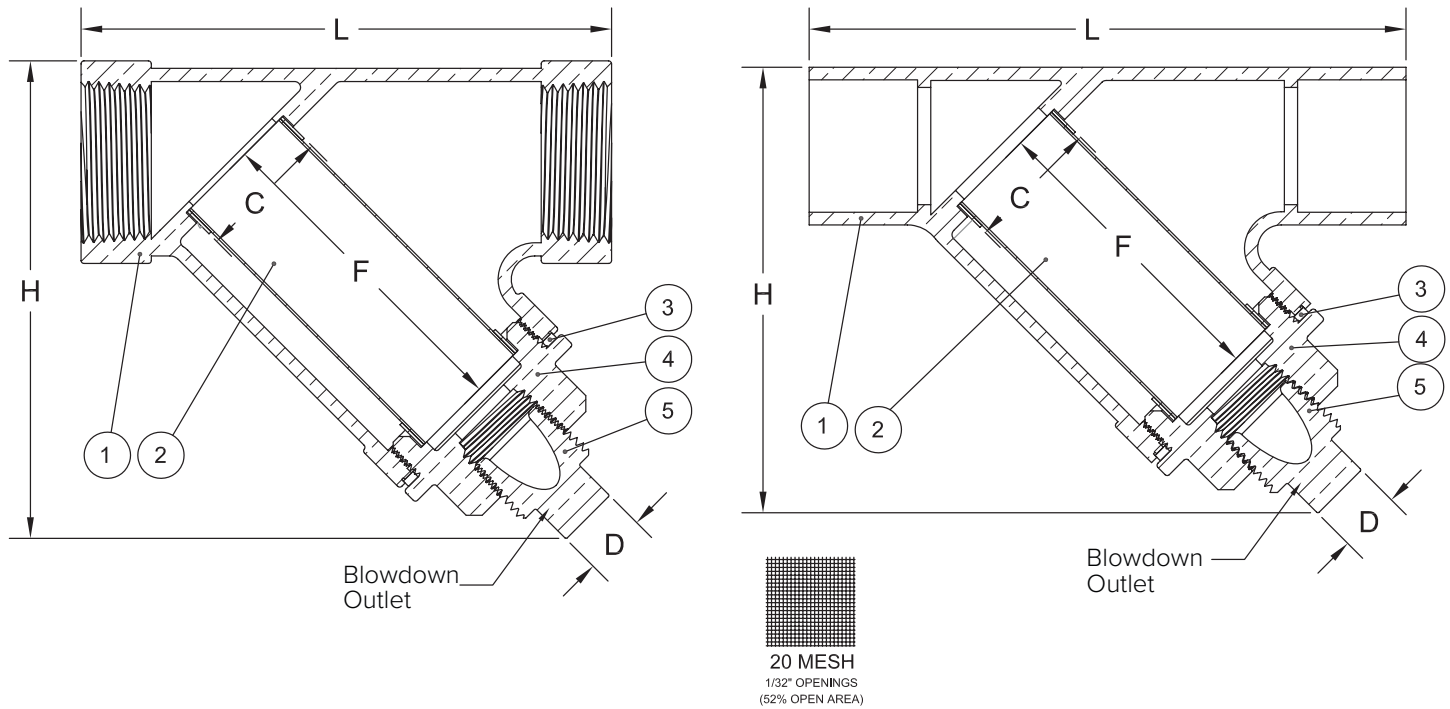
REPAIR PARTS

Replacement Screens		Replacement Gaskets	
1/2 = FNWX509SD	1/2 = FNWX510SD	1/2 = FNWX509GD	1/2 = FNWX510GD
3/4 = FNWX509SF	3/4 = FNWX510SF	3/4 = FNWX509GF	3/4 = FNWX510GF
1 = FNWX509SG	1 = FNWX510SG	1 = FNWX509GG	1 = FNWX510GG
1-1/4 = FNWX509SH	1-1/4 = FNWX510SH	1-1/4 = FNWX509GH	1-1/4 = FNWX510GH
1-1/2 = FNWX509SJ	1-1/2 = FNWX510SJ	1-1/2 = FNWX509GJ	1-1/2 = FNWX510GJ
2 = FNWX509SK	2 = FNWX510SK	2 = FNWX509GK	2 = FNWX510GK

X509 & X510 Y-STRAINER



LOW-LEAD COMPLIANT BRONZE 400 WOG Y-STRAINER



DIMENSIONS

Size	D	H		L		C	F	Blowdown Outlet
		X509	X510	X509	X510			
1/2	0.45	3.01	2.83	3.23	3.43	0.77	1.95	3/8"-18
3/4	0.45	3.49	3.27	3.94	4.31	0.98	2.34	3/8"-18
1	0.52	4.04	3.78	4.53	5.10	1.15	2.66	1/2"-14
1-1/4	0.52	4.70	4.37	5.33	5.91	1.43	3.16	1/2"-14
1-1/2	0.52	5.02	4.82	6.20	6.89	1.78	3.58	1/2"-14
2	0.52	6.14	5.91	7.44	8.62	2.20	4.80	1/2"-14

PART MATERIALS & QUANTITY

Ref #	Description	Material
1	Body	C89844 Bronze
2	Screen	304SS Stainless Steel
3	Gasket	Non-Asbestos (Synthetic Fibers & NBR Binder)
4	Cap	C89844 Bronze
5	Plug	C89844 Bronze