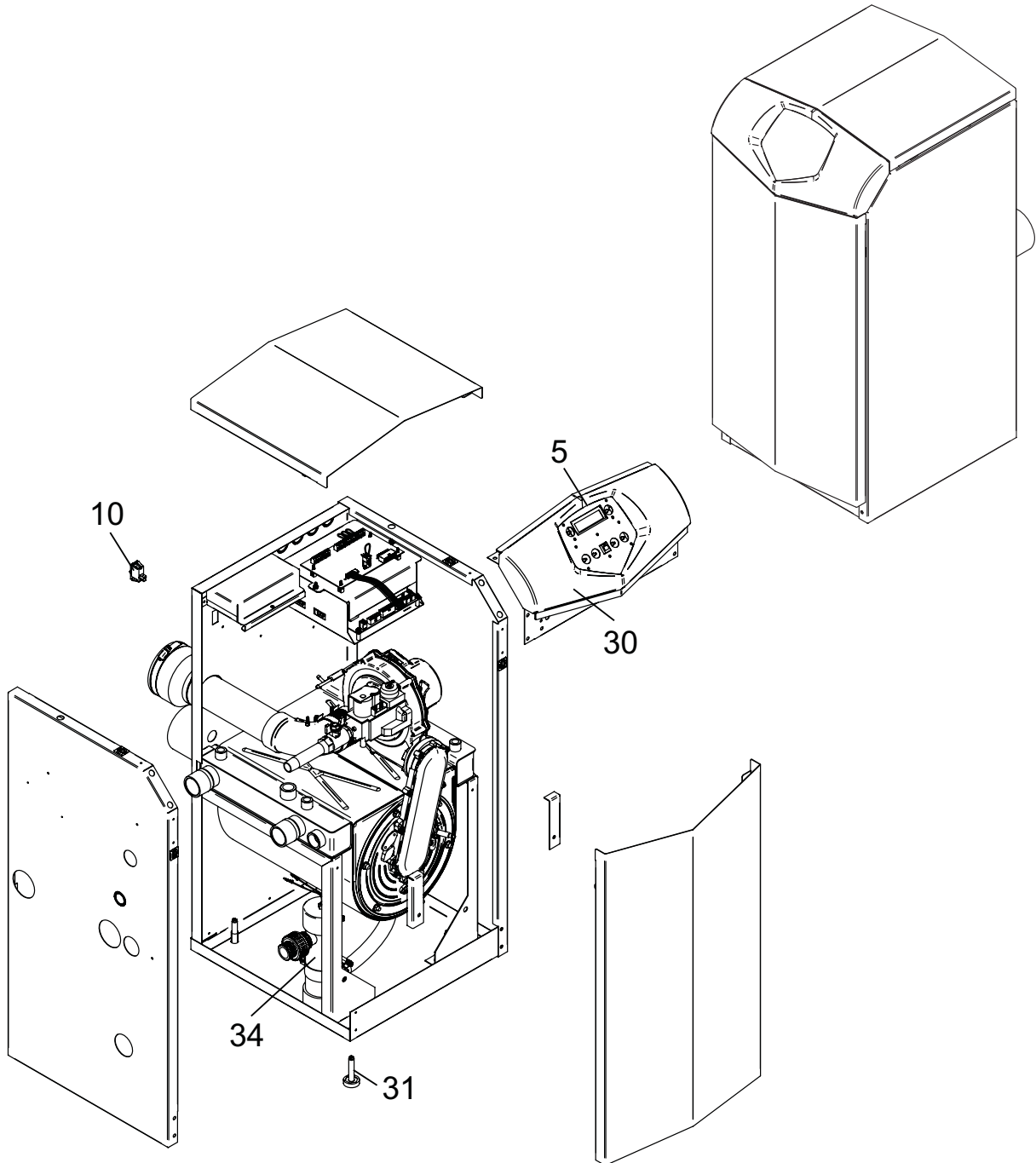




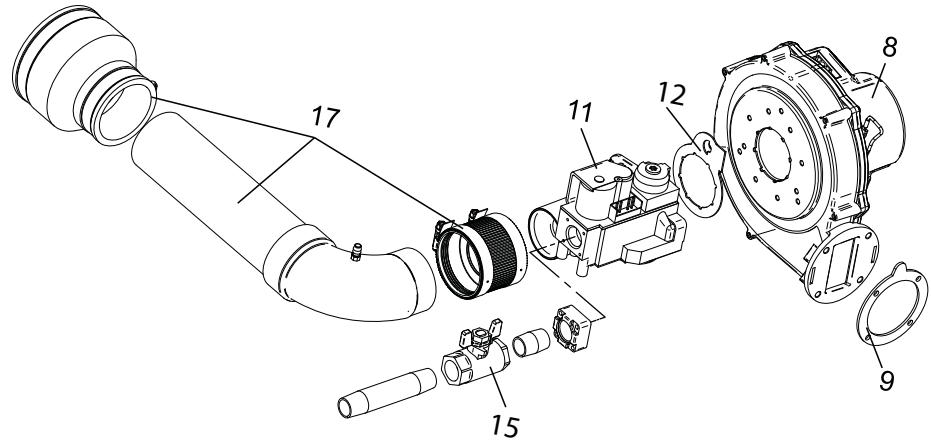
PARTS & SERVICE DEPARTMENT
 Nashville, Tennessee
 615-889-8900 • Fax: 615-882-2918
 parts_team@lochinvar.com
 www.Lochinvar.com

Replacement Parts List

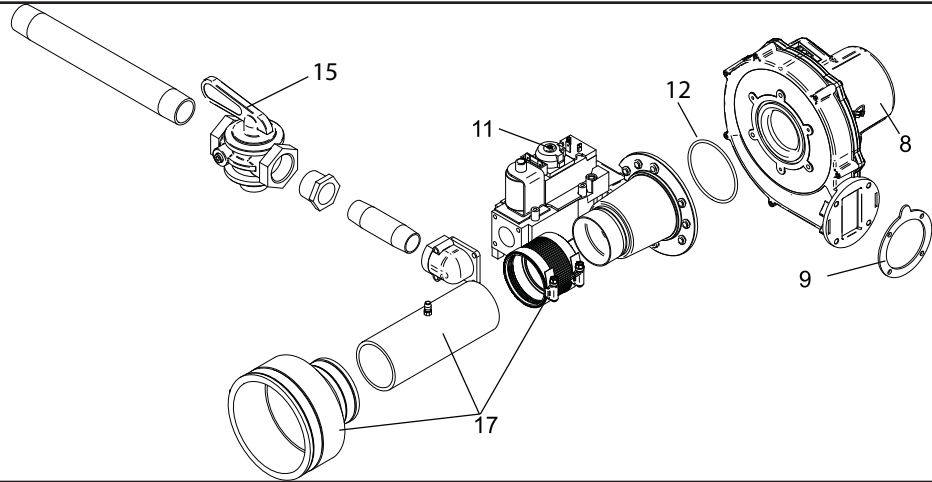
Armor
Condensing Water Heater
AW 150 thru 800



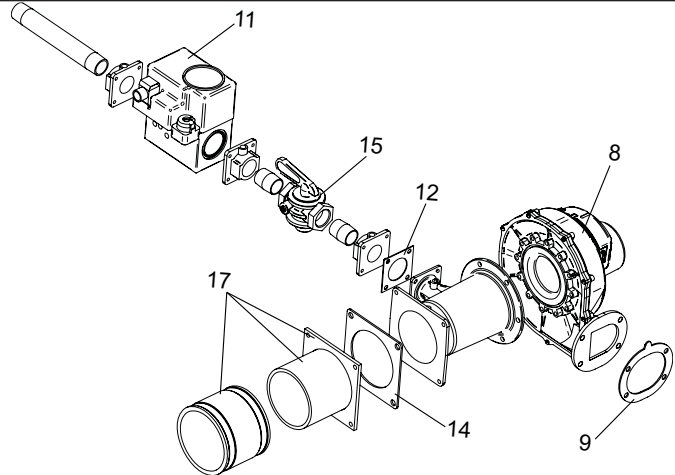
GAS TRAIN 150-285



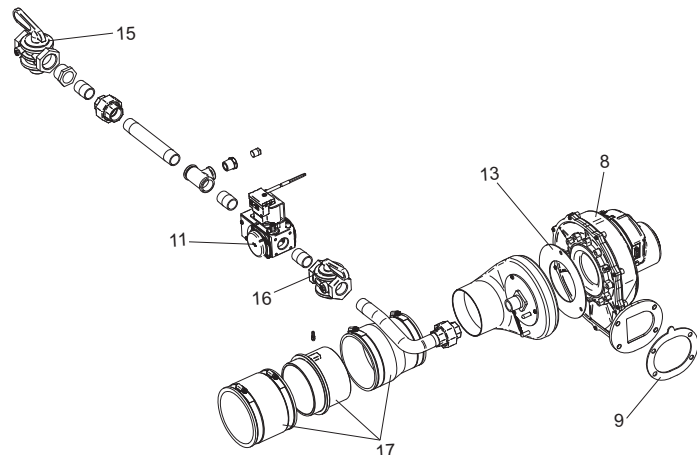
GAS TRAIN 399



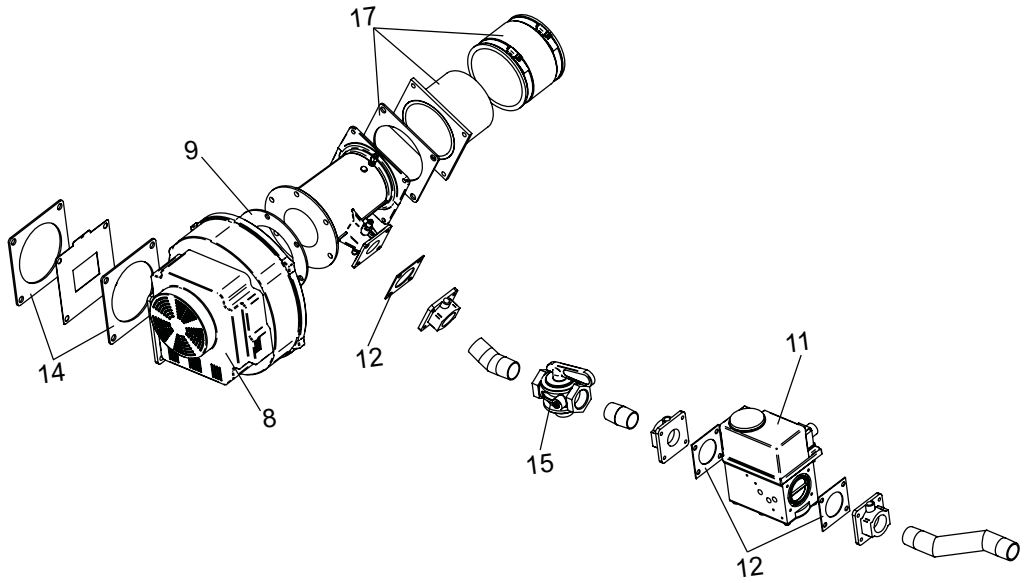
**GAS TRAIN 500
Before H07H10046461**



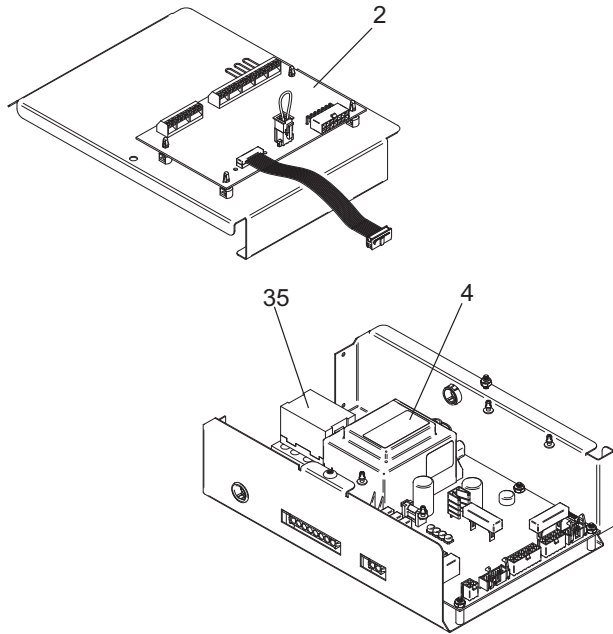
**GAS TRAIN 500
After H07H10046464**



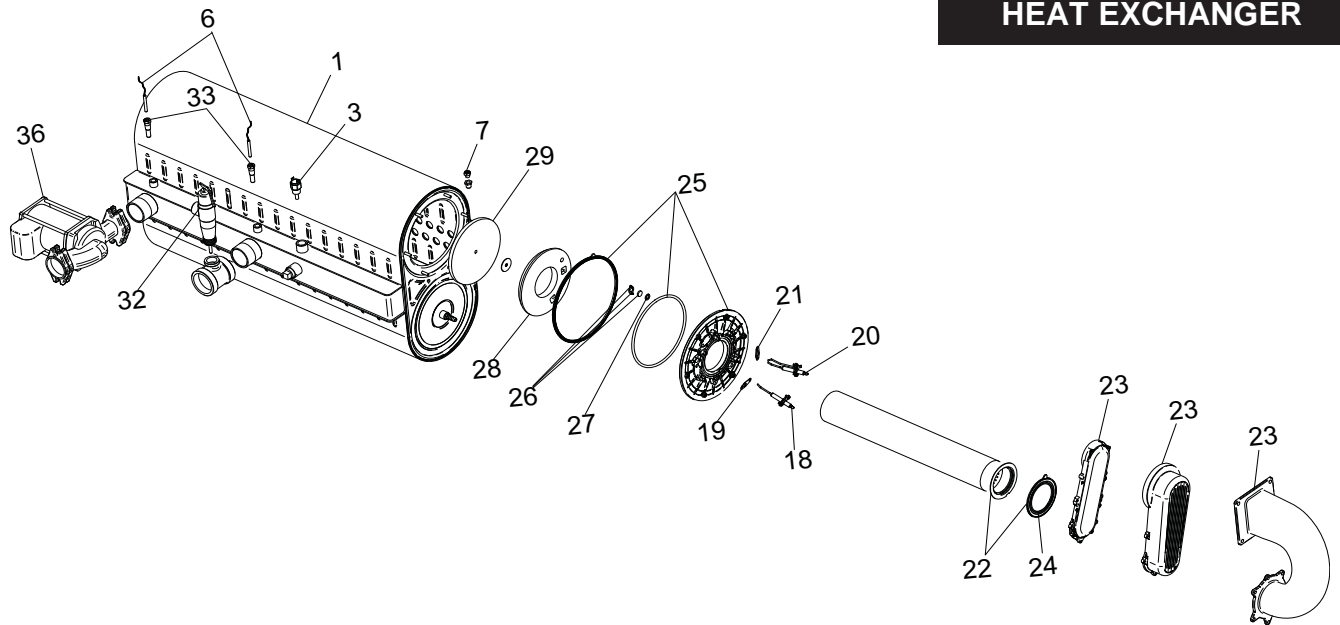
GAS TRAIN 600-800



CONTROL PANEL



HEAT EXCHANGER



ITEM NO.	PART NO.	DESCRIPTION	MODEL
HEAT EXCHANGER ASSEMBLY			
1	100147750	HEAT EXCHANGER	AW 150
1	100147751	HEAT EXCHANGER	AW 199
1	100147752	HEAT EXCHANGER	AW 285
1	100147753	HEAT EXCHANGER	AW 399
1	100147754	HEAT EXCHANGER	AW 500
1	100147306	HEAT EXCHANGER	AW 600
1	100147307	HEAT EXCHANGER	AW 700
1	100147308	HEAT EXCHANGER	AW 800
CONTROLS			
2	100208499	LOW VOLTAGE CONNECTION BOARD	ALL
3	100208173	SWITCH, HIGH LIMIT	ALL
4	100167768	INTEGRATED CONTROL	AW 150-285
4	100167770	INTEGRATED CONTROL	AW 399
4	100167772	INTEGRATED CONTROL	AW 500
4	100167791	INTEGRATED CONTROL	AW 600-800
4	100167780	HIGH ALTITUDE INTEGRATED CONTROL	AW 150-285
4	100167781	HIGH ALTITUDE INTEGRATED CONTROL	AW 399
4	100167782	HIGH ALTITUDE INTEGRATED CONTROL	AW 500
4	100167792	HIGH ALTITUDE INTEGRATED CONTROL	AW 600-800
5	100208461	USER INTERFACE CONTROL	ALL
6	100208552	WATER TEMP SENSOR	ALL
7	100167445	AIR VENT VALVE	ALL
8	100145004	FAN ASSEMBLY	AW 150
8	100145005	FAN ASSEMBLY	AW 199
8	100145006	FAN ASSEMBLY	AW 285
8	100145008	FAN ASSEMBLY	AW 399
8	100145007	FAN ASSEMBLY (PRIOR TO SN# H07)	AW 500
8	100145009	FAN ASSEMBLY (BEGINNING SN# H07)	AW 500
8	100144980	FAN ASSEMBLY	AW 600-800
9	100208764	GASKET, BLOWER	AW 199
9	100208101	GASKET, BLOWER	AW 150-399
9	100208759	GASKET, BLOWER	AW 500
10	100208242	SWITCH, ON/OFF	ALL
GAS VALVES			
11	100172003	GAS VALVE ASSEMBLY NAT	AW 150
11	100172004	GAS VALVE ASSEMBLY NAT	AW 199
11	100172005	GAS VALVE ASSEMBLY NAT	AW 285
11	100172006	GAS VALVE ASSEMBLY NAT	AW 399
11	100172008	GAS VALVE ASSEMBLY NAT (PRIOR TO SN# H07)	AW 500
11	100172009	GAS VALVE ASSEMBLY NAT (BEGINNING SN# H07)	AW 500
11	100172014	GAS VALVE ASSEMBLY NAT	AW 600
11	100171923	GAS VALVE ASSEMBLY NAT	AW 700
11	100172015	GAS VALVE ASSEMBLY NAT	AW 800
11	100171928	GAS VALVE ASSEMBLY LP (BEGINNING SN# H07)	AW 500
11	100171929	GAS VALVE ASSEMBLY LP	AW 600
11	100171930	GAS VALVE ASSEMBLY LP	AW 700
11	100171931	GAS VALVE ASSEMBLY LP	AW 800
12	100208760	GASKET, GAS VALVE	AW 150-285
12	100208761	GASKET, GAS VALVE	AW 399
12	100208105	GASKET, GAS VALVE	AW 500-800
13	100233703	GASKET, AIR SHROUD	AW 500
14	100208089	GASKET, AIR INTAKE	AW 500-800
15	100171787	GAS CUT OFF VALVE	AW 150-199
PLEASE HAVE SERIAL NUMBER WHEN ORDERING PARTS			

ITEM NO.	PART NO.	DESCRIPTION	MODEL
GAS VALVES (CONT.)			
15	100171800	GAS CUT OFF VALVE	AW 285
15	100146149	GAS CUT OFF VALVE 1X1 (PRIOR TO SN# H07H10046461 FOR AW 500)	AW 399-800
16	100146148	GAS CUT OFF VALVE 3/4 X 3/4 (BEGINNING SN# H07H10046464)	AW 500
17	100163251	AIR INLET KIT	AW 150
17	100163252	AIR INLET KIT	AW 199
17	100163253	AIR INLET KIT	AW 285
17	100163254	AIR INLET KIT	AW 399
17	100163255	AIR INLET KIT (PRIOR TO SN# H07H10046461 FOR AW 500)	AW 500-800
17	100163256	AIR INLET KIT (BEGINNING SN# H07H10046464)	AW 500
PILOT & BURNER ASSEMBLIES			
18	100165930	FLAME SENSOR W/ GASKET	AW 150-500
18	100165931	FLAME SENSOR W/ GASKET	AW 600-800
19	100208091	GASKET, FLAME SENSOR	ALL
20	100165929	IGNITOR W/ GASKET	AW 150-500
20	100165920	IGNITOR W/ GASKET	AW 600-800
21	100208086	GASKET, IGNITOR	ALL
22	100135308	BURNER W/GASKET	AW 150
22	100135309	BURNER W/GASKET	AW 199
22	100135310	BURNER W/GASKET	AW 285
22	100135311	BURNER W/GASKET	AW 399-500
22	100135313	BURNER W/ GASKET	AW 600
22	100135314	BURNER W/ GASKET	AW 700
22	100135315	BURNER W/ GASKET	AW 800
23	100173796	GAS/AIR ARM ASSEMBLY W/ GASKET	AW 150
23	100173792	GAS/AIR ARM ASSEMBLY W/ GASKET	AW 199-399
23	100173793	GAS/AIR ARM ASSEMBLY W/ GASKET	AW 500
23	100173798	GAS/AIR ARM ASSEMBLY W/GASKET	AW 600-800
24	100208085	GASKET, BURNER	AW 150-500
24	100233594	GASKET, BURNER	AW 600-800
25	100173794	HEAT EXCHANGER ACCESS DOOR KIT	AW 150-500
25	100173799	HEAT EXCHANGER ACCESS DOOR KIT	AW 600-800
MISCELLANEOUS			
26	100163249	SIGHT GLASS	ALL
27	100208762	GASKET, SIGHT GLASS	ALL
28	100208060	INSULATION, BURNER PLATE DOOR	AW 150-500
28	100208059	INSULATION, BURNER PLATE DOOR	AW 600-800
29	100145494	INSULATION BAFFLE, DIVIDER PLATE	ALL
30	100163192	DISPLAY BEZEL	ALL
31	100134788	LEVELING LEG	ALL
32	100208453	T & P RELIEF 3/4" X 150# (BEGINNING SN# G09H20013638)	AW 150-199
32	100208443	T & P RELIEF 3/4" X 150# (PRIOR TO SN# G09H20013638)	AW 150-199
32	100208443	T & P RELIEF 3/4" X 150#	AW 285-399
32	100208446	T & P RELIEF 3/4" X 150#	AW 500-800
33	100208569	BULBWELL - 1/4"	ALL
-	100233695	BULBWELL - 3/8"	ALL
-	100208807	FUSE, 1.25 AMP	ALL
-	100208231	FUSE, 3.15 AMP	ALL
-	100208232	FUSE, 5 AMP	ALL
-	100208660	FLOW SWITCH	AW 150-199 & 399-800
-	100208661	FLOW SWITCH	AW 285
34	100163241	CONDENSATE TRAP	AW 150-199
34	100163244	CONDENSATE TRAP	AW 285-800
35	100167557	RELAY, 1.5 HP PUMP	ALL
PLEASE HAVE SERIAL NUMBER WHEN ORDERING PARTS			

ITEM NO.	PART NO.	DESCRIPTION	MODEL
MISCELLANEOUS (CONTINUED)			
-	100208243	SWITCH, BLOCKED DRAIN	ALL
-	100208154	GAUGE TRIOMETER, 75# PSI	AW 500-800
-	100170652	FLUE TEMP SENSOR KIT	ALL
-	100157720	MRHL KIT - ADJUSTABLE	ALL
-	100157660	ALARM BELL	ALL
-	100157721	NEUTRALIZER KIT	AW 150-500
-	100157700	NEUTRALIZER KIT	AW 600-800
-	100208377	SWITCH, PRESSURE	AW 150 & 285
-	100208378	SWITCH, PRESSURE	AW 199 & 399
-	100166151	SWITCH, PRESSURE	AW 500
-	100208393	SWITCH, PRESSURE	AW 600-800
-	100159008	LP CONVERSION KIT	AW 150
-	100159009	LP CONVERSION KIT	AW 199
-	100159010	LP CONVERSION KIT	AW 285
-	100159011	LP CONVERSION KIT	AW 399
-	100159012	LP CONVERSION KIT (BEGINNING SN# H07H10046464 FOR AW 500)	AW 500-800
-	100157627	HEAT EXCHANGER CLEANING KIT	AW 150-399
-	100157628	HEAT EXCHANGER CLEANING KIT	AW 500-800
-	100172796	HARNESS, CONNECTION BOARD	ALL
-	100172797	HARNESS, POWER	AW 150-285
-	100172794	HARNESS, POWER	AW 399-800
-	100172803	HARNESS, RELAY	ALL
-	100208636	CABLE, RIBBON	AW 151-500
-	100208638	CABLE, RIBBON	AW 600-800
-	100208619	HARNESS, GAS VALVE	AW 150-285
-	100173091	HARNESS, GAS VALVE	AW 399
-	100173314	HARNESS, GAS VALVE	AW 500
-	100172958	HARNESS, GAS VALVE	AW 600-800
-	100226629	HARNESS, UNIT	AW 150 & 285
-	100209821	HARNESS, UNIT	AW 199-285
-	100173106	HARNESS, UNIT	AW 399-800
-	100208621	HARNESS, SPARK ELECTRODE	AW 150 & 199
-	100208620	HARNESS, SPARK ELECTRODE	AW 285
-	100208618	HARNESS, SPARK ELECTRODE	AW 399-500
-	100208623	HARNESS, SPARK ELECTRODE	AW 600-800
-	100208622	HARNESS, FLAME SENSE ELECTRODE	ALL
PUMPS			
36	100166430	PUMP	AW 150-199
36	100166431	PUMP	AW 285
36	100166432	PUMP	AW 399
36	100166408	PUMP	AW 500-600
36	100166409	PUMP	AW 700-800
PLEASE HAVE SERIAL NUMBER WHEN ORDERING PARTS			

NOTES

