



**HDF<sup>®</sup>**  
**COMMERCIAL**

# DEMD Series Electronic Lavatory Faucets (Infrared)

## SPECIFICATION: (example)

### ❑ DEMD-312LF

- Deck mount electronic lavatory faucet with technician's mixer to adjust temperature
- Above deck electronics
- Chrome
- Sensor detects user's hand to activate water flow
- 6 1.5V AA Batteries (included)
- Adjustable maximum run time
- Adjustable sensor range
- Red light indicator blinks when battery is low
- 0.5 gpm (1.9 L/min) aerator

## OPERATION

### Sensing Range:

- Factory set to 8.0" ± 1.5" (200 mm ± 40 mm)
- Adjustable from 3.15" to 11.8" (80 mm to 300 mm)

### Maximum Run Time:

- 90 seconds, adjustable with remote control

## OPTIONAL ACCESSORIES (Order Separately)

### ❑ 060967A

- Remote Control (Optional) – allows adjustment of sensor range, maximum run time, delayed close time, temporary shutoff for cleaning and factory settings reset

### ❑ 060585A

- Optional 4" forged coverplate

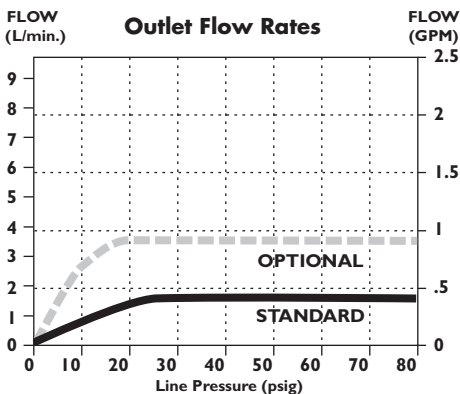
### ❑ 060961A

- Optional 1.0 gpm (3.8 L/min) aerator

### ❑ 061118A

- Optional 1.5 gpm (5.7 L/min) Careguard<sup>®</sup> laminar outlet

## FLOW RATE vs PRESSURE



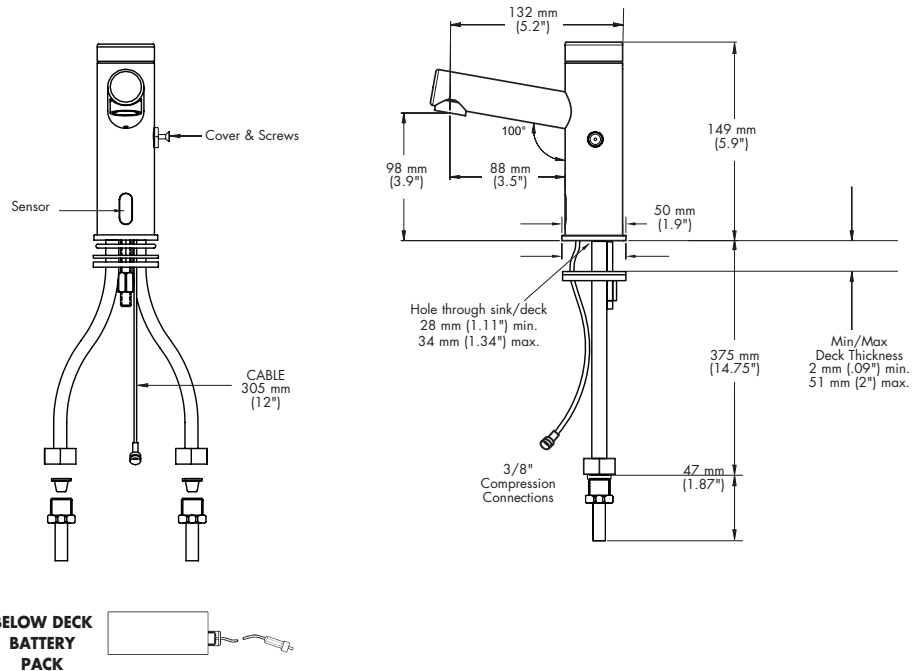
## Approvals:



- IAPMO certified
- Complies to ASME A112.18.1/CSA B125.1
- Indicates compliance to ICC/ANSI A117.1
- Verified compliant with 0.25% weighted average Pb content regulations

(Contact Delta Representative for State and/or Local Approvals.)

## DEMD-312LF (BATTERY OPERATED WITH TECHNICIAN MIXER)



## HARDWIRE CONVERSION OF DEMD-312LF

### Requires SEPARATE order of either:

- (A)** One 060958A DEMD plug in transformer (120VAC to 9VDC)  
PLUS One 061014A female by female connector

- OR (B)** One 060704A hardwire 20VA transformer (120VAC to 24VAC)  
PLUS One 060974A DEMD converter (24VAC to 9VDC)  
PLUS One 061014A female by female connector

Note: Measurements may vary ± 6mm (0.25")