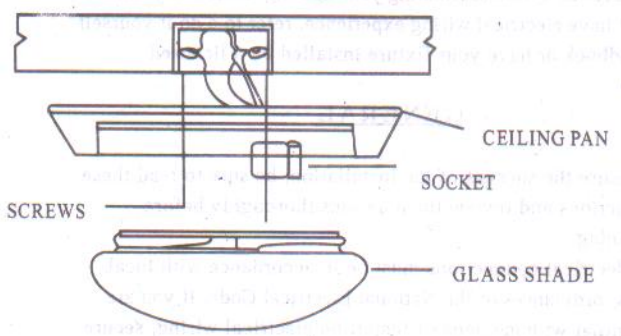
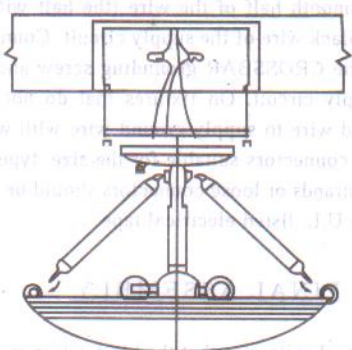


CEILING FLUSH INSTALLATION INSTRUCTIONS

READ AND SAVE THESE INSTRUCTIONS

CEILING FLUSH INSTALLATION INSTRUCTIONS

To make electrical connections, fixture will have a black and white wire for a two wire power supply. Split the power supply cord wires into separate leads. Strip the cord that is ribbed or the white wire is the white wire of the supply.



Strip the electrical supply wires and the white wires out on the other side of the outlet box and the white wires out on the other side. Make fixture to outlet box and ground with ground wire. The outlet box must have a ceiling pan with knockout slot. The fixture can be installed with a ceiling pan with knockout slot.

