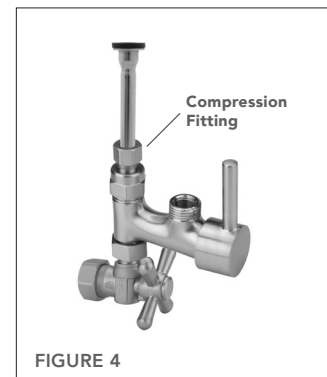
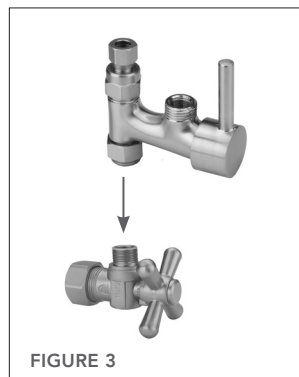
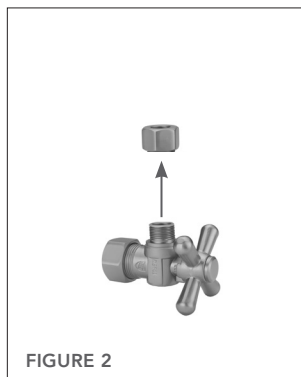
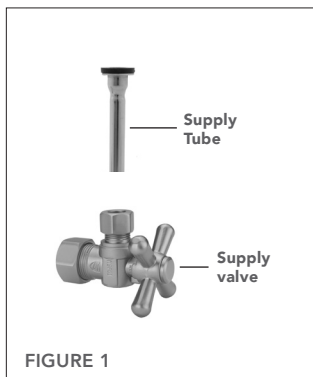


INSTALLATION INSTRUCTIONS

Retro Fit Bidet Valve

Part #: 6468

JACLO[®]
Confidence from start to finish.[®]



INSTALLATION

1. Turn off water
2. Remove supply tube from shutoff valve (sold separately). **Figure 1**
3. Remove compression nut and fitting from supply valve. **Figure 2**
4. Attach 6468 to supply valve by screwing bottom nut into 3/8" threads. **Figure 3**
5. Attach compression fitting to top of 6468. **Figure 4**
6. Size and cut supply tube to fit
7. Attach supply tube to 6468 and toilet. **Figure 4**
8. Tighten compression nut
9. Attach handshower hose (sold separately) to 6468
10. Turn off 6468; turn on supply, check for leaks