

INSTALLATION INSTRUCTIONS

Cranford Widespread Faucet

Part #: 5460-****

JACLO®

Confidence from start to finish.™



HANDLE STYLES



T677



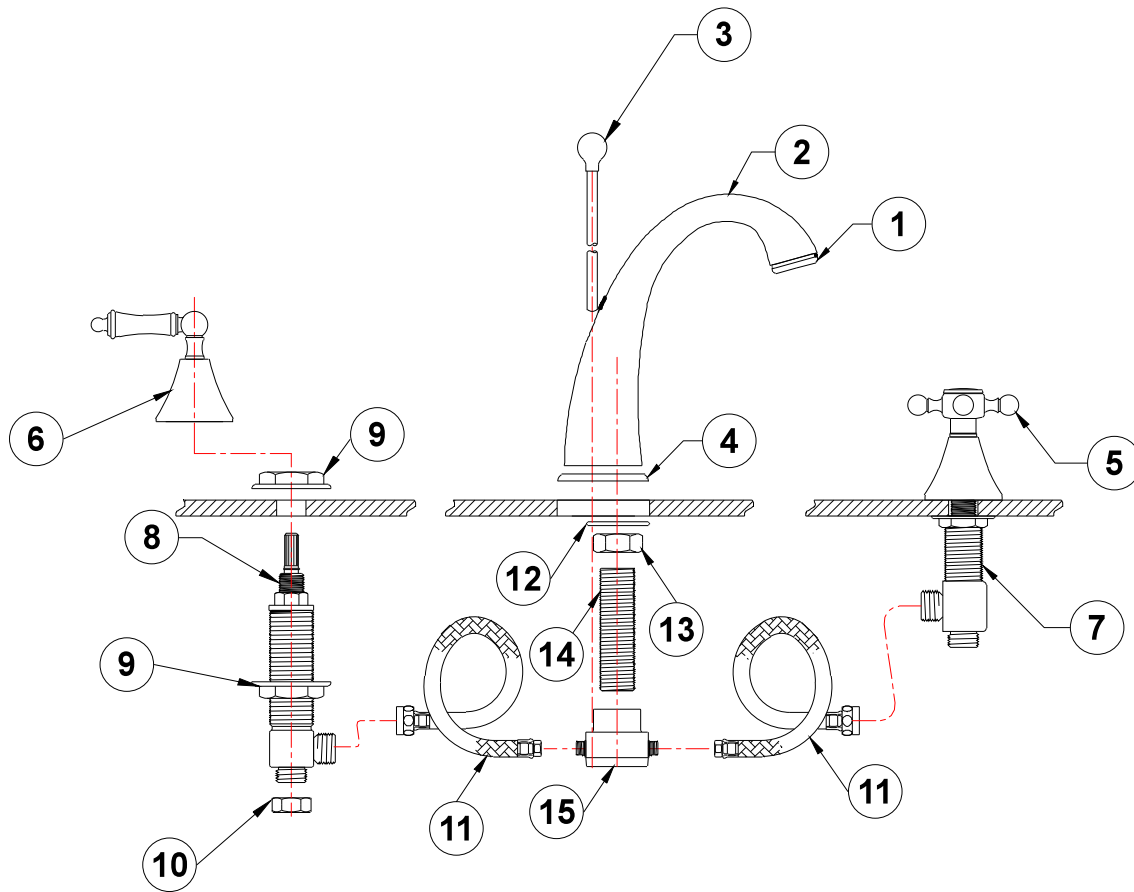
T646



T639



T647



COMPONENT PARTS

1	Aerator - FCT-AER-**
2	5460 Spout - 901W-SPOUT-**
3	Pop-Up Rod Assembly - 901W-ROD-**
4	Flange - PART OF SPOUT
5	Handle - VARIES ON MODEL
6	Valve Escutcheon - B-06-**
7	Valve Body Cold - 11833-0
8	Valve Body Hot - 11832-0
9	Valve Body Nut (4)
10	Nut - A438-0 (2)
11	Hose (2) - 5130-RGH
12	Washer - PART OF SPOUT
13	Brass Nut - PART OF SPOUT
14	Brass Nipple - PART OF SPOUT
15	Brass Tee - PART OF SPOUT

Spout Installation

Note: Some items have been pre-assembled at the factory to ensure quality and fit. Some disassembly may be required during installation.

1. Remove nut (13), washer (12), and "T" if installed from spout mounting nipple (14). **Figure 1.**
2. Slide the spout assembly through the counter top or basin.
3. Slide washer (12) onto spout nipple. Pop-up rod cut out on washer faces rear of spout. Install nut (13) onto spout nipple and secure spout to counter top or basin once positioned correctly. **Figure 2.**
4. Install "T" (15) onto nipple (14) using a NSF listed joint compound.

FIGURE 1

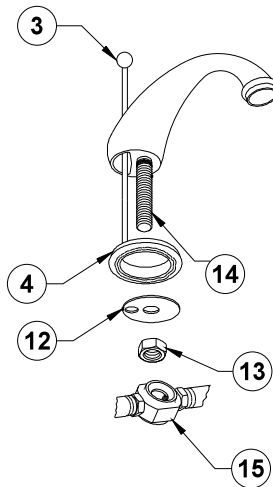
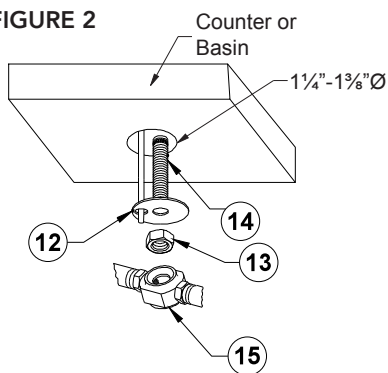


FIGURE 2



Valve Installation

1. Identify hot and cold valves. Hot has red dot and cold has blue dot.
2. Install hot valve on left side of spout when facing sink. **Figure 3.**
3. Install cold valve on right side of spout when facing sink. **Figure 3.**
4. Remove handle, escutcheon, and top valve nut.
5. Adjust lower valve nut (9) down away from valve stem. **Figure 4.**
6. Install valve through bottom of counter or basin. **Figure 4.** Install nut (9) on to valve and tighten.
7. Find "A" dimension **Figure 5** & set escutcheon to specified height.
8. Install top nut and escutcheon on to valve and tighten.
9. Adjust if necessary.

FIGURE 3

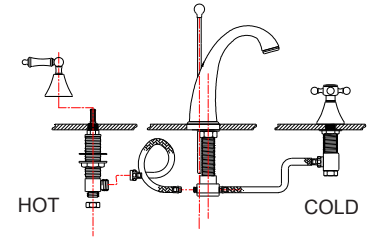
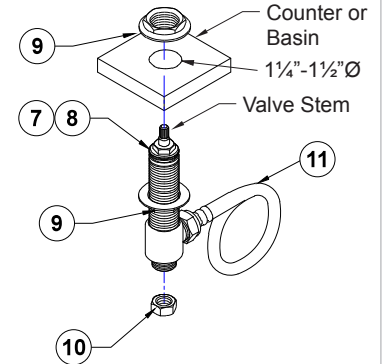


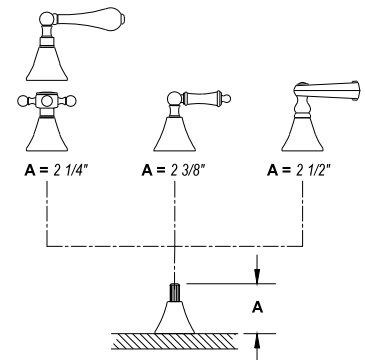
FIGURE 4



Hose Installation

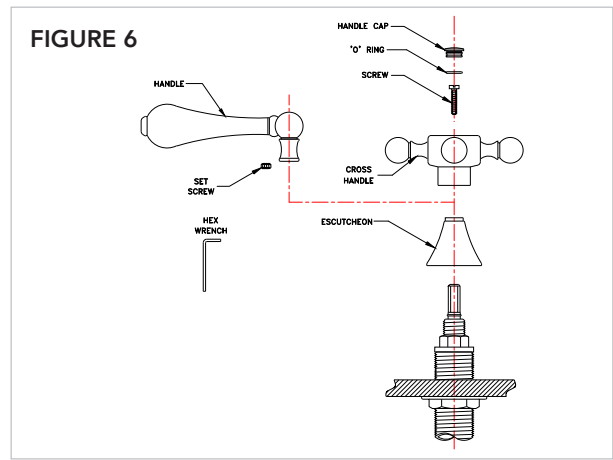
1. Connect hot hose to hot valve outlet and "T". **Figure 3.**
2. Connect cold hose to cold valve outlet and "T". **Figure 3.**
3. Connect supply hoses or tubes (not supplied) to base of hot and cold valves. **Figure 4.**

FIGURE 5



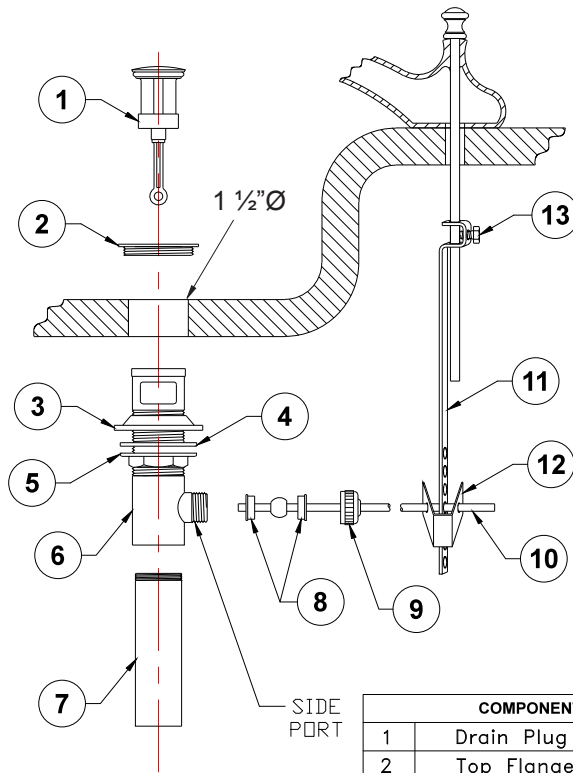
Handle Installation

1. Install handle onto stem in desired "off" position.
2. Confirm handle is not binding with escutcheon. Adjust if necessary.
3. Handles are fastened with a set screw or top screw. **Figure 6.**
4. If set screw type, screw, tighten then press in decorative cap with o-ring.
5. If top screw type, screw, tighten then press in decorative cap with o-ring.



Drain Assembly

1. Remove drain plug (1) and top flange (2) from drain body (6).
2. Apply appropriate silicon/putty under lip of top flange (2).
3. From underneath, insert drain body (6) through basin and attach top flange (2).
4. Push sink gasket (3) and plastic washer (4) up snug to bottom of basin hole and raise mounting nut (5) finger tight.
5. Test the length needed for the drain plug so the eyelet is visible through side port of drain body.
6. Insure proper alignment of top flange (2) and tighten nut securely.
7. Test fit ball rod (10) without seats to ensure it goes through the eyelet of the drain plug. Adjust length by loosening metal nut on drain plug and adjust eyelet height by tightening or loosening eyelet, then secure nut back up to bottom of plug.
8. Put one ball rod seat (8) before ball in ball rod, one after ball (concave sides to ball) slide ball rod nut (9) onto back, push through side port ensuring that the ball rod goes through the eyelet of the drain plug and tighten nut.
9. Pushing ball rod down raises the drain plug. Test and adjust if necessary.
10. Attach lift rod strap to lift rod in faucet.
11. Push down on ball rod, put one end of spring clip (12) on, then put through appropriate hole in lift rod strap (11). Test again and attach other end of spring clip onto lift rod strap.
12. Attach tail piece to drain body by wrapping with teflon tape.



COMPONENT PARTS	
1	Drain Plug
2	Top Flange
3	Sink Gasket
4	Plastic Washer
5	Mounting Nut
6	Drain Body
7	Tailpiece
8	Ball Rod Seat
9	Ball Rod Nut
10	Ball Rod
11	Lift Rod Strap
12	Spring Clip
13	Lift Rod Strap Screw

CARE INSTRUCTIONS

In order to maintain the high quality finish of JACLO products, please adhere to the following product care instructions:

Cleaning JACLO products: For routine cleaning, simply use a soft damp cloth and common household soap, then rinse and dry. Proper care of your product is important because most water contains calcium that deposits on surfaces, forming unpleasant spots. This can be avoided by routine cleaning and drying after every use. Use only mild soap based detergents.

Never use abrasive cleaners, bleach, disinfectants or cleaning products containing alcohol, ammonia, hydrochloric or phosphoric acids as they will damage the product finish.

Please note: Your product warranty may not be valid if the above cleaning guidelines are not followed.

The use of water softeners, which are loaded with salt, will destroy any finish in time. Use of water softeners void all warranties.

WARRANTY

Residential Warranty: Your new plumbing fixture is warranted by **JACLO INDUSTRIES**, 129 Dermody Street, Cranford, NJ 07016. This warranty is extended to original consumer purchasers only. This warranty gives you specific legal rights, and you may also have other rights which vary from state to state.

The product (including the finish on the product but excluding any custom finishes and any installation hardware not supplied by JACLO) is warranted to be free from defects in material or workmanship under normal use and service for the lifetime* of the fixture, so long as the original consumer purchaser owns it. JACLO's sole obligation under this or any other warranty is limited to repairing or replacing at JACLO's option, without labor, any part or parts of the fixture which fall to conform to such warranty.

JACLO WILL NOT BE LIABLE FOR ANY CONSEQUENTIAL OR INCIDENTAL DAMAGES CAUSED BY A BREACH OF THIS OR ANY OTHER WARRANTY.

Some states do not allow the exclusion of limitation of incidental or consequential damages, so the above limitation may not apply to you.

To secure warranty performance, the original consumer purchaser must have the fixture properly and professionally installed in accordance with all codes and installation instructions.

Items and actions that will void the JACLO warranty are:

- Abuse, misuse, neglect and accidental damage
- Improper cleaning care of maintenance of the fixture
- Alteration of the fixture in any way including removal of a flow regulator/restrictor

All warranty claims must be made in accordance with the JACLO return policy (see below).

JACLO does not authorize any distributor, retailer or other person to modify this warranty or assume any liability on its behalf with respect to it. Any question regarding the operation of warranty should be addressed to JACLO's warranty department.

*Due to the unpredictable environment, all kitchen drains, strainers and garbage disposal flanges are warranted for the period of one year from date of purchase from an authorized JACLO dealer

Commercial Warranty: JACLO extends the above warranty for a period of one year from date of purchase to purchasers of products for industrial, commercial, business and all non-private residential uses.