

# INSTALLATION INSTRUCTIONS

Contempo Roman Tub Set  
Part #: 9980-

**JACLO**<sup>®</sup>  
Confidence from start to finish.<sup>®</sup>



## HANDLE STYLES



C



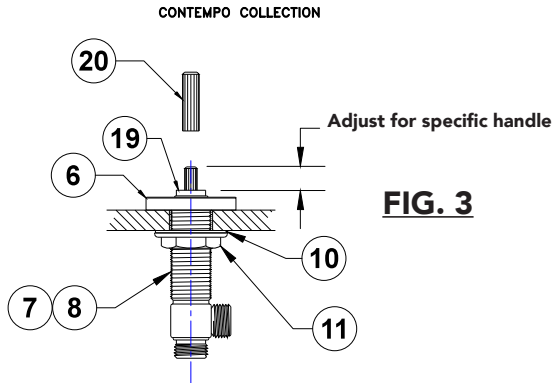
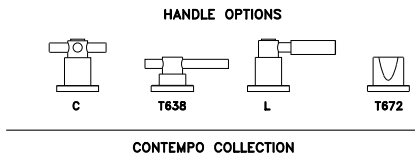
L



T672



T638

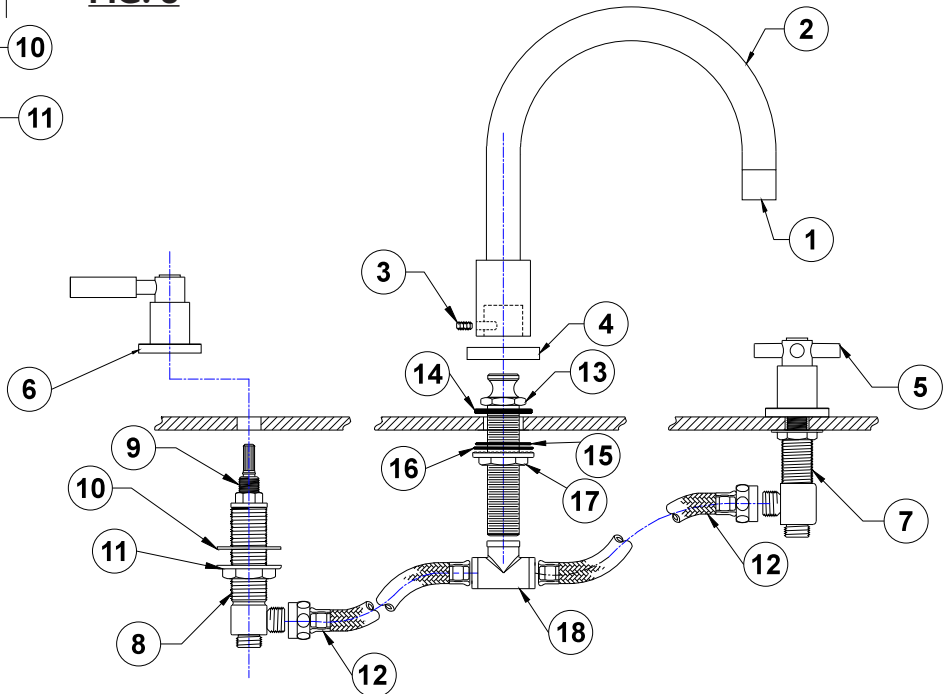


**FIG. 3**

COMPONENT PARTS	
1	Aerator
2	9980 Roman Tub Filler
3	Set Screw
4	Spout Flange
5	Handle
6	Valve Escutcheon
7	Valve Body Cold
8	Valve Body Hot
9	Cartridge
10	Fiber Washer (4)
11	Valve Body Nut (4)
12	Hose (2)
13	Quick Connect
14	Brass Washer
15	Rubber Washer
16	Plastic Washer
17	Brass Nut
18	Brass Tee
19	CW-1-0
20	16 EXT. VB

TRIM

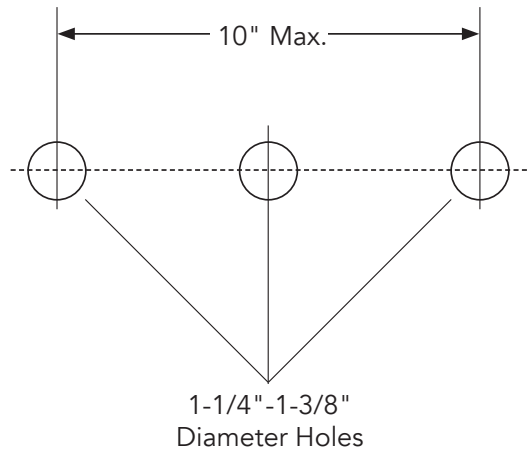
ROUGH



**FIG. 2**

## SPOUT QUICK CONNECT AND VALVE BODY INSTALLATION

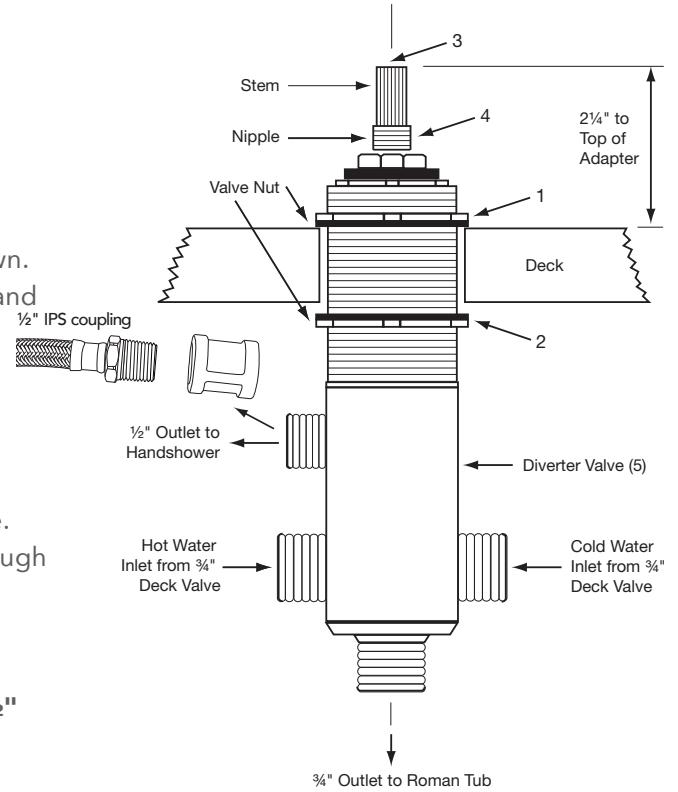
1. Confirm hole is in conformance with **Fig. 1**
2. Remove nut (17) and washers (15)(16) from spout.
3. Drop quick connect (13) from top of counter.
4. Install washers (15)(16) and nut (17) from bottom of counter and tighten.
5. Install "T" (18) with suitable pipe sealant.
6. Install hot and cold valve assemblies (7)(8) from bottom of counter. Install valve escutcheon (6) **Fig.3** on valve assemblies. Adjust valve assemblies per **Fig. 3**, tighten nut (11) on each valve assembly
7. Install spout
8. Install hot and cold hoses (12) from "T" to each valve assembly.
9. Connect hot and cold water supply to each valve assembly (bottom of assembly).



**FIG. 1**

## INSTALLATION FOR DIVERTER & HANDSHOWER IF USED (NOT INCLUDED)

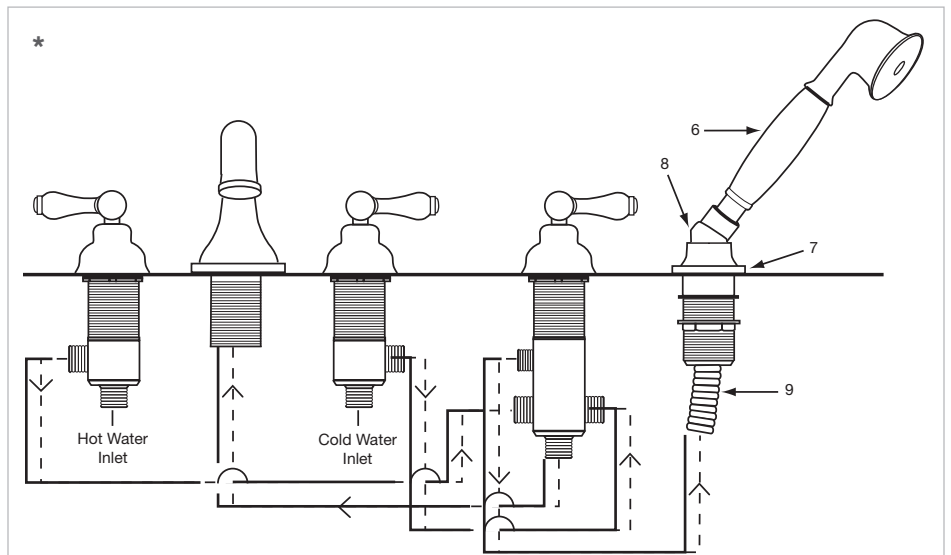
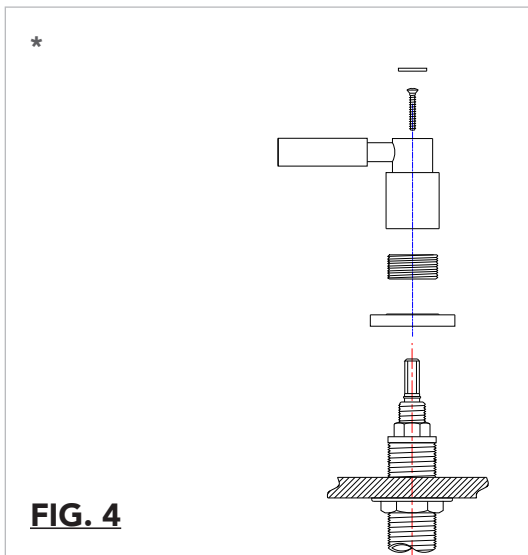
1. Remove trim and smaller top valve nut (1) from valve (not used)
  2. Provide 1½" diameter hole in deck. Maximum deck thickness is 2¼" for diverter only. Roman tub spouts and valves may differ and must be checked.
  3. Thread bottom valve nut (2) all the way down on diverter valve (5).
  4. Slide valve (from underneath) through deck.
  5. Screw escutcheon onto valve until top of stem (3) is approximately 2¼" above top of finished deck as shown. This is important as it controls the space between handle and escutcheon. Hand tighten bottom valve nut (2).
  6. Apply a small bead of silicone to the bottom of the escutcheon and install onto valve.
  7. Install handle. **See Fig. 4**
  8. Secure bottom valve nut (2). Connect coupling to diverter, hose to coupling, and backflow preventer to hose.
  9. Install handshower deck mount sleeve (7). Slide hose through the sleeve. Connect handshower hose to backflow preventer.
  10. Connect hot and cold water supply to valve.
- Note: Make sure any solder connections are at least 1½" away from valve body.**
11. Connect spout to bottom of diverter valve



## HANDLE INSTALLATION (HANDLES VARY)

1. Handle trim **C** and **L** install with top screw into top of valve shaft, **Fig.4**
  - a. Remove index button and tighten screw.
  - b. Replace index button after it is tightened.
2. Handle trim **T638** and **T672** install with set screw into side of valve shaft **Fig.4**

### \* FOR ILLUSTRATION PURPOSES ONLY (STYLES



## CARE INSTRUCTIONS

In order to maintain the high quality finish of JACLO products, please adhere to the following product care instructions:

**Cleaning JACLO products:** For routine cleaning, simply use a soft damp cloth and common household soap, then rinse and dry. Proper care of your product is important because most water contains calcium that deposits on surfaces, forming unpleasant spots. This can be avoided by routine cleaning and drying after every use. Use only mild soap based detergents.

Never use abrasive cleaners, bleach, disinfectants or cleaning products containing alcohol, ammonia, hydrochloric or phosphoric acids as they will damage the product finish.

**Please note:** Your product warranty may not be valid if the above cleaning guidelines are not followed.

**The use of water softeners, which are loaded with salt, will destroy any finish in time. Use of water softeners void all warranties.**

## WARRANTY

**Residential Warranty:** Your new plumbing fixture is warranted by **JACLO INDUSTRIES**, 129 Dermody Street, Cranford, NJ 07016. This warranty is extended to original consumer purchasers only. This warranty gives you specific legal rights, and you may also have other rights which vary from state to state.

The product (including the finish on the product but excluding any custom finishes and any installation hardware not supplied by JACLO) is warranted to be free from defects in material or workmanship under normal use and service for the lifetime\* of the fixture, so long as the original consumer purchaser owns it. JACLO's sole obligation under this or any other warranty is limited to repairing or replacing at JACLO's option, without labor, any part or parts of the fixture which fall to conform to such warranty.

**JACLO WILL NOT BE LIABLE FOR ANY CONSEQUENTIAL OR INCIDENTAL DAMAGES CAUSED BY A BREACH OF THIS OR ANY OTHER WARRANTY.**

Some states do not allow the exclusion of limitation of incidental or consequential damages, so the above limitation may not apply to you.

To secure warranty performance, the original consumer purchaser must have the fixture properly and professionally installed in accordance with all codes and installation instructions.

Items and actions that will void the JACLO warranty are:

- Abuse, misuse, neglect and accidental damage
- Improper cleaning care of maintenance of the fixture
- Alteration of the fixture in any way including removal of a flow regulator/restrictor

All warranty claims must be made in accordance with the JACLO return policy (see below).

JACLO does not authorize any distributor, retailer or other person to modify this warranty or assume any liability on its behalf with respect to it. Any question regarding the operation of warranty should be addressed to JACLO's warranty department.

\*Due to the unpredictable environment, all kitchen drains, strainers and garbage disposal flanges are warranted for the period of one year from date of purchase from an authorized JACLO dealer

**Commercial Warranty:** JACLO extends the above warranty for a period of one year from date of purchase to purchasers of products for industrial, commercial, business and all non-private residential uses.