

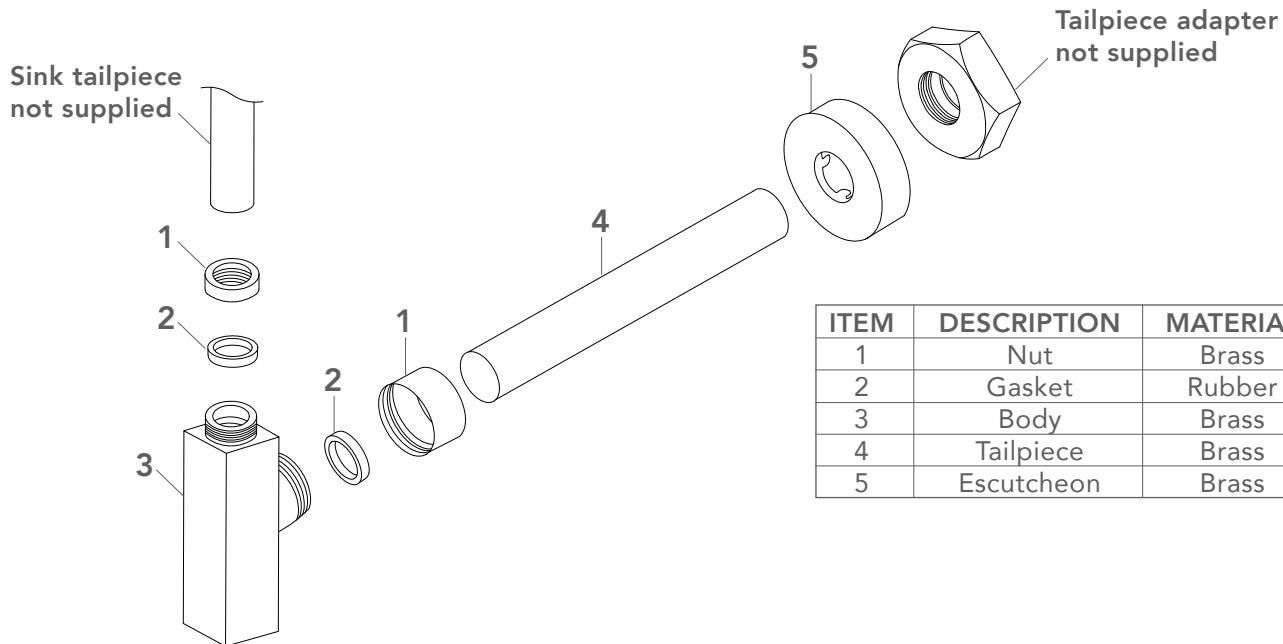
INSTALLATION INSTRUCTIONS

Decorative Traps

Part #'s: 255, 256, 270, 271, 257, 258

JACLO®

Confidence from start to finish.™



ITEM	DESCRIPTION	MATERIAL	QTY
1	Nut	Brass	2
2	Gasket	Rubber	2
3	Body	Brass	1
4	Tailpiece	Brass	1
5	Escutcheon	Brass	1

INSTALLER WARNING

- Follow all applicable Local Plumbing Codes, Public Health and Safety Codes.
- We recommend this product be installed only by a qualified professional contractor/plumber

Preparation

- Sink or basin is installed in final position
- Sink drain is installed in sink basin
- Wall "stub" connection is complete with tail piece adapter/connection close to wall so escutcheon covers it

Trap Installation

1. Position body under sink, measure sink tail piece length, cut sink tail piece
2. Position body under sink, measure wall tail piece length, cut wall tail piece
3. Slide escutcheon on to wall tail piece
4. Push tail piece in to wall adapter
5. Slide nut over wall tail piece
6. Lubricate gasket with silicone grease or liquid soap. Slide gasket over wall tail piece
7. Slide lock nut over sink tail piece
8. Lubricate gasket with silicone grease or liquid soap. Slide gasket over sink tail piece
9. Insert trap body into wall tail piece and slide up on to sink tail piece. Position body so a slight decline in wall tail piece is obtained (approximately 5 degrees) tighten sink tail piece lock nut.
10. Tighten wall tail piece lock nut
11. Tighten wall adapter lock nut
12. Slide escutcheon over wall adapter