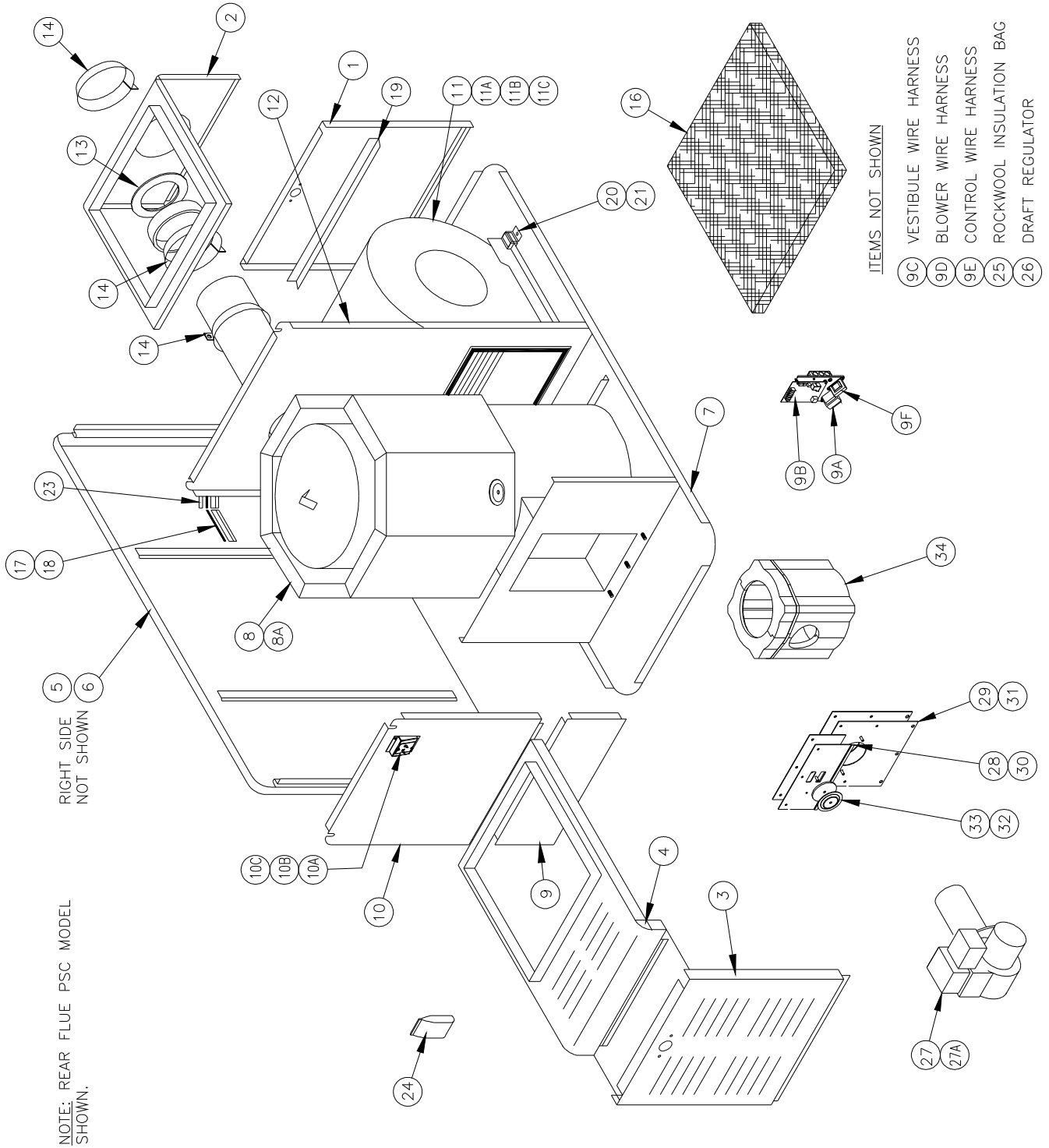


All installations and services must be performed by qualified service personnel.

APPENDIX-A Replacement Parts List

OL5-85FDBP, OL11-105FDBP, OL16-125FDBP, OL11-105FDBE, OL16-125FDBE
 OL5-85RDBP, OL11-105RDBP, OL16-125RDBP, OL11-105RDBE, OL16-125RDBE



All installations and services must be performed by qualified service personnel.

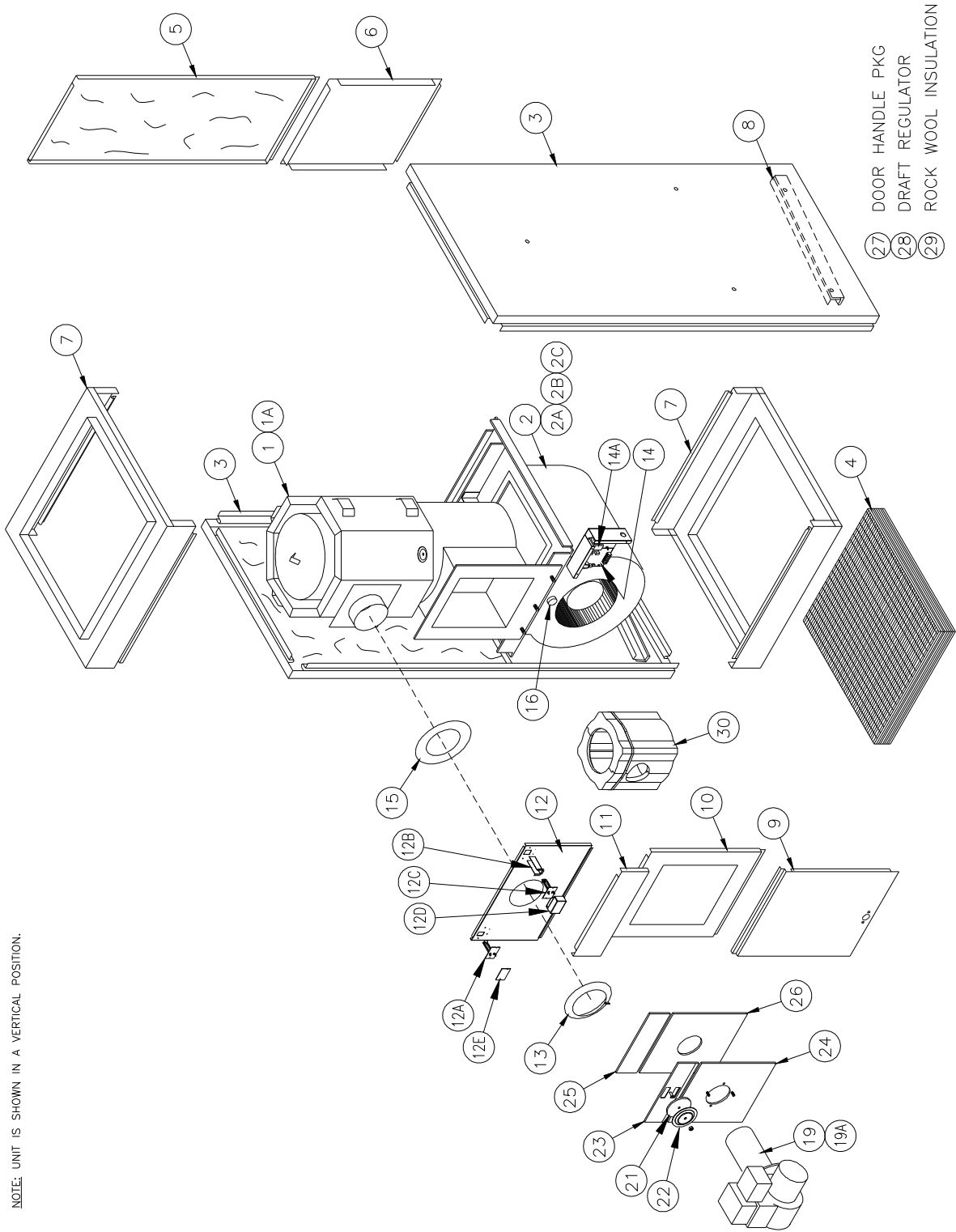
ITEM	PARTS DESCRIPTION	UNIT		OL5-85FDBP		OL11-105FDBP		OL16-125FDBP		OL11-105FDBE		OL16-125FDBE	
		PART NO.	QTY.	PART NO.	QTY.	PART NO.	QTY.	PART NO.	QTY.	PART NO.	QTY.	PART NO.	QTY.
1	BLOWER ACCESS DOOR	620408	1	620414	1	620420	1	620414	1	620420	1		
2	TOP REAR SECTION	620410	1	620416	1	620422	1	620416	1	620422	1		
3	FRONT DOOR	620407	1	620413	1	620419	1	620413	1	620419	1		
4	TOP FRONT SECTION	620409	1	620415	1	620421	1	620415	1	620421	1		
5	SIDE CASING (LEFT)	620002	1	620004	1	620008	1	620004	1	620008	1		
6	SIDE CASING (RIGHT)	620003	1	620005	1	620009	1	620005	1	620009	1		
7	BASE	20454	1	20455	1	20466	1	20455	1	20466	1		
8	HEAT EXCHANGER	31459	1	31471	1	31486	1	31471	1	31486	1		
8A	HX CLEANOUT COVER KIT	AOPS7586	1	AOPS7586	1	AOPS7586	1	AOPS7586	1	AOPS7586	1		
9	FRONT CENTER PANEL	621030	1	621037	1	621047	1	621037	1	621047	1		
9A	TRANSFORMER	350464	1	350464	1	350464	1	350464	1	350464	1		
9B	FURNACE CONTROL	AOPS8380	1	AOPS8380	1	AOPS8380	1	AOPS8381	1	AOPS8381	1		
9C	WIRE HARNESS, VESTIBULE	350271	1	350271	1	350271	1	350271	1	350271	1		
9D	WIRE HARNESS, BLOWER	350270	1	350270	1	350270	1	350918	1	350918	1		
9E	WIRE HARNESS, CONTROL	-	-	-	-	-	-	350921	1	350921	1		
9F	INDUCTOR	-	-	-	-	-	-	-	-	350855	1		
10	FRONT TOP SEPARATOR	619158	1	619160	1	619162	1	619160	1	619162	1		
10A	LIMIT BRACKET	29156	1	29156	1	29156	1	29156	1	29156	1		
10B	LIMIT SWITCH	350103	1	350103	1	350273	1	350103	1	350273	1		
10C	INSULATOR BOOT	350036	1	350036	1	350036	1	350036	1	350036	1		
11	BLOWER ASSEMBLY	S00S4231	1	S00S4231	1	S00S4215	1	S00S4148	1	S00S4160	1		
11A	BLOWER HOUSING w\ WHEEL	S00S4143	1	S00S4143	1	S00S4143	1	S00S4143	1	S00S4143	1		
11B	MOTOR	AOPS7657	1	AOPS7657	1	AOPS7653	1	AOPS7446	1	AOPS7472	1		
11C	MOTOR MOUNTING BRACKET	AOPS7670	1	AOPS7670	1	AOPS7670	1	AOPS7670	1	AOPS7670	1		
12	REAR SEPARATOR	21033	1	21036	1	21042	1	21036	1	21042	1		
13	FLUE COLLAR GASKET	330005	1	330005	1	330006	1	330005	1	330006	1		
14	DRAW COLLAR	14131	1	14131	1	14132	1	14131	1	14132	1		
15	FLUE ELBOW	35719	1	35719	1	35721	1	35719	1	35721	1		
16	FILTER	370022	1	370035	1	370036	2	370035	1	370036	2		
17	FILTER SUPPORT (LEFT)	624712	1	624719	1	624721	1	624719	1	624721	1		
18	FILTER SUPPORT (RIGHT)	624713	1	624720	1	624722	1	624720	1	624722	1		
19	REAR FILTER SUPPORT	614715	1	614715	1	614726	1	614715	1	614726	1		
20	BLOWER HOLD DOWN	14113	1	14113	1	14113	1	14113	1	14113	1		
21	BLOWER HOLD DOWN	14114	1	14114	1	14114	1	14114	1	14114	1		
22	FLUE BACKING PLATE GASKET	330008	1	330008	1	330023	1	330008	1	330023	1		
23	CENTER FILTER SUPPORT	-	-	-	-	614724	1	-	-	614724	1		
24	DOOR HANDLE PKG (2 SETS)	320152	1	320152	1	320152	1	320152	1	320152	1		
25	ROCK WOOL INSUL PKG	AOPS7575	1	AOPS7575	1	AOPS7575	1	AOPS7575	1	AOPS7575	1		
26	DRAFT REGULATOR	370105	1	370105	1	370106	1	370105	1	370106	1		
27	BURNER AFG	350737	1	350737	1	350738	1	350737	1	350738	1		
27A	NOZZLE	380366	1	380367	1	380369	1	380367	1	380369	1		
28	TOP MTG PLATE	25716	1	25716	1	25716	1	25716	1	25716	1		
29	BOTTOM MTG PLATE	25717	1	25717	1	25717	1	25717	1	25717	1		
30	TOP MTG PLATE GASKET	330055	1	330055	1	330055	1	330055	1	330055	1		
31	BOTTOM MTG PLATE GASKET	330056	1	330056	1	330056	1	330056	1	330056	1		
32	4" INSPECTION GASKET	330009	1	330009	1	330009	1	330009	1	330009	1		
33	INSPECTION COVER	15794	1	15794	1	15794	1	15794	1	15794	1		
34	CHAMBER	AOPS7323	1	AOPS7323	1	AOPS7324	1	AOPS7323	1	AOPS7324	1		

All installations and services must be performed by qualified service personnel.

ITEM	PARTS DESCRIPTION	UNIT		OL5-85RDBP		OL11-105RDBP		OL16-125RDBP		OL11-105RDDE		OL16-125RDDE	
		PART NO.	QTY.	PART NO.	QTY.	PART NO.	QTY.	PART NO.	QTY.	PART NO.	QTY.	PART NO.	QTY.
1	BLOWER ACCESS DOOR	620408	1	620414	1	620420	1	620414	1	620420	1		
2	TOP REAR SECTION	620412	1	620418	1	620424	1	620418	1	620424	1		
3	FRONT DOOR	620407	1	620413	1	620419	1	620413	1	620419	1		
4	TOP FRONT SECTION	620411	1	620417	1	620423	1	620417	1	620423	1		
5	SIDE CASING (LEFT)	620002	1	620004	1	620008	1	620004	1	620008	1		
6	SIDE CASING (RIGHT)	620003	1	620005	1	620009	1	620005	1	620009	1		
7	BASE	20454	1	20455	1	20466	1	20455	1	20466	1		
8	HEAT EXCHANGER	31458	1	31470	1	31485	1	31470	1	31485	1		
8A	HX CLEANOUT COVER KIT	AOPS7586	1	AOPS7586	1	AOPS7586	1	AOPS7586	1	AOPS7586	1		
9	FRONT CENTER PANEL	621030	1	611040	1	621047	1	611040	1	621047	1		
9A	TRANSFORMER	350464	1	350464	1	350464	1	350464	1	350464	1		
9B	FURNACE CONTROL	AOPS8380	1	AOPS8380	1	AOPS8380	1	AOPS8381	1	AOPS8381	1		
9C	WIRE HARNESS, VESTIBULE	350271	1	350271	1	350271	1	350271	1	350271	1		
9D	WIRE HARNESS, BLOWER	350270	1	350270	1	350270	1	350918	1	350918	1		
9E	WIRE HARNESS, CONTROL	-	-	-	-	-	-	350921	1	350921	1		
9F	INDUCTOR	-	-	-	-	-	-	-	-	350855	1		
10	FRONT TOP SEPARATOR	619161	1	619161	1	619163	1	619161	1	619163	1		
10A	LIMIT BRACKET	29156	1	29156	1	29156	1	29156	1	29156	1		
10B	LIMIT SWITCH	350103	1	350103	1	19155	1	350103	1	19155	1		
10C	INSULATOR BOOT	350036	1	350036	1	350036	1	350036	1	350036	1		
11	BLOWER ASSEMBLY	S00S4231	1	S00S4231	1	S00S4215	1	S00S4148	1	S00S4160	1		
11A	BLOWER HOUSING w\ WHEEL	S00S4143	1	S00S4143	1	S00S4143	1	S00S4143	1	S00S4143	1		
11B	MOTOR	AOPS7657	1	AOPS7657	1	AOPS7653	1	AOPS7446	1	AOPS7472	1		
11C	MOTOR MOUNTING BRACKET	AOPS7670	1	AOPS7670	1	AOPS7670	1	AOPS7670	1	AOPS7670	1		
12	REAR SEPARATOR	21034	1	21038	1	21045	1	21038	1	21042	1		
13	FLUE COLLAR GASKET	330005	1	330005	1	330006	1	330005	1	330006	1		
14	DRAW COLLAR	14131	3	14131	3	14132	3	14131	3	14132	3		
15	-	-	-	-	-	-	-	-	-	-	-		
16	FILTER	370022	1	370035	1	370036	2	370035	1	370036	2		
17	FILTER SUPPORT (LEFT)	624712	1	624719	1	624721	1	624719	1	624721	1		
18	FILTER SUPPORT (RIGHT)	624713	1	624720	1	624722	1	624720	1	624722	1		
19	REAR FILTER SUPPORT	614715	1	614715	1	614726	1	614715	1	614726	1		
20	BLOWER HOLD DOWN	14113	1	14113	1	14113	1	14113	1	14113	1		
21	BLOWER HOLD DOWN	14114	1	14114	1	14114	1	14114	1	14114	1		
22	-	-	-	-	-	-	-	-	-	-	-		
23	CENTER FILTER SUPPORT	-	-	-	-	614724	1	-	-	614724	1		
24	DOOR HANDLE PKG (2 SETS)	320152	1	320152	1	320152	1	320152	1	320152	1		
25	ROCK WOOL INSUL PKG	AOPS7575	1	AOPS7575	1	AOPS7575	1	AOPS7575	1	AOPS7575	1		
26	DRAFT REGULATOR	370105	1	370105	1	370106	1	370105	1	370106	1		
27	BURNER AFG	350737	1	350737	1	350738	1	350737	1	350738	1		
27A	NOZZLE	380366	1	380367	1	380369	1	380367	1	380369	1		
28	TOP MTG PLATE	25716	1	25716	1	25716	1	25716	1	25716	1		
29	BOTTOM MTG PLATE	25717	1	25717	1	25717	1	25717	1	25717	1		
30	TOP MTG PLATE GASKET	330055	1	330055	1	330055	1	330055	1	330055	1		
31	BOTTOM MTG PLATE GASKET	330056	1	330056	1	330056	1	330056	1	330056	1		
32	4" INSPECTION GASKET	330009	1	330009	1	330009	1	330009	1	330009	1		
33	INSPECTION COVER	15794	1	15794	1	15794	1	15794	1	15794	1		
34	CHAMBER	AOPS7323	1	AOPS7323	1	AOPS7324	1	AOPS7323	1	AOPS7324	1		

All installations and services must be performed by qualified service personnel.

OT11-105FBP & , OT16-125FBP



NOTE: UNIT IS SHOWN IN A VERTICAL POSITION.

- ITEMS NOT SHOWN
- 14B BLOWER WIRE HARNESS
- 14C MAIN WIRE HARNESS

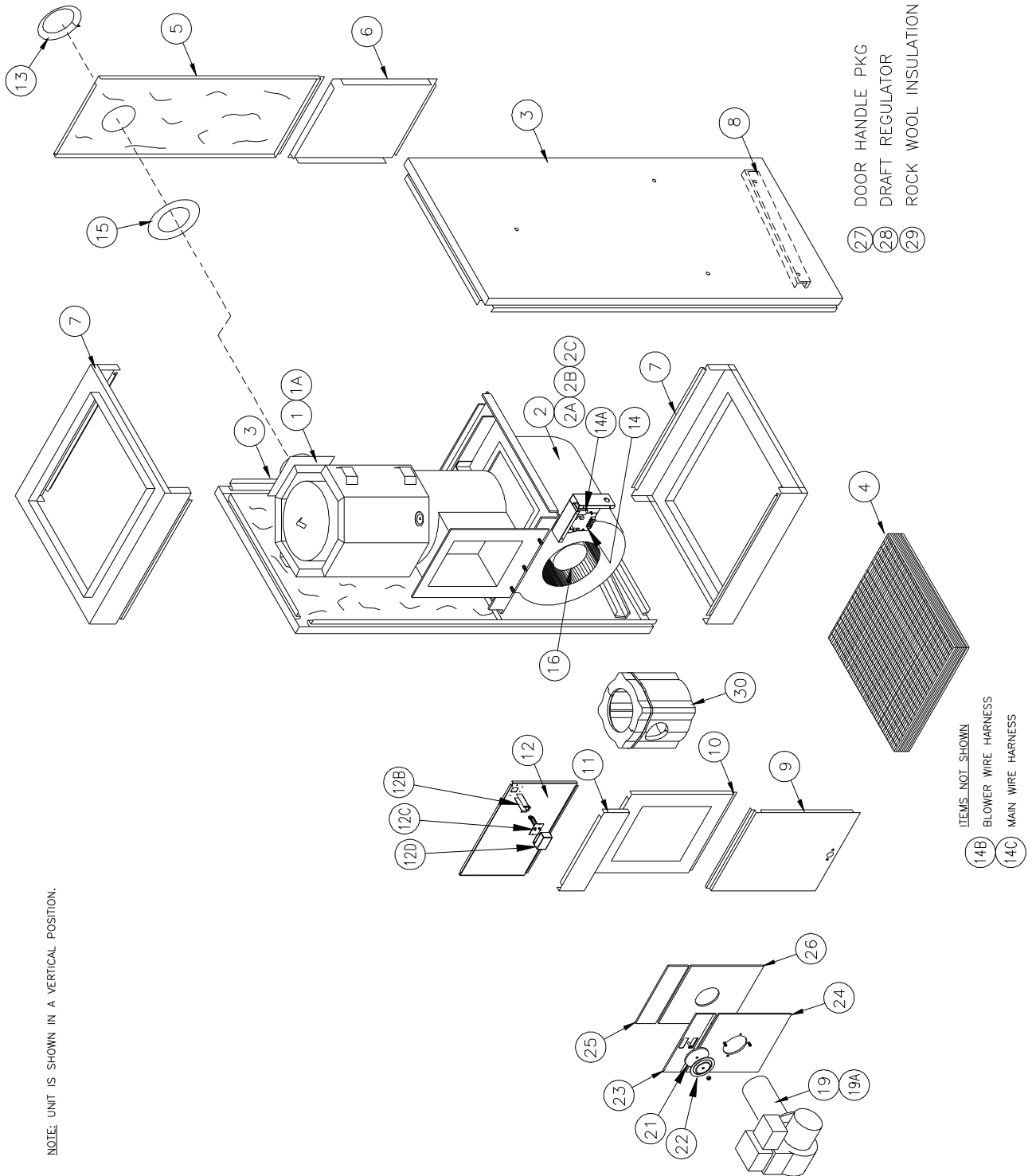
- 27 DOOR HANDLE PKG
- 28 DRAFT REGULATOR
- 29 ROCK WOOL INSULATION

All installations and services must be performed by qualified service personnel.

ITEM	PARTS DESCRIPTION	UNIT		OT11-105FBP		OT16-125FBP	
		PART NO.	QTY.	PART NO.	QTY.	PART NO.	QTY.
1	HEAT EXCHANGER ASSEMBLY	31598	1	31601	1		
1A	HX CLEANOUT COVER KIT	AOPS7586	1	AOPS7586	1		
2	BLOWER ASSEMBLY	S00S4228	1	S00S4229	1		
2A	BLOWER HSG w\ WHEEL	S00S4143	1	340039	1		
2B	MOTOR w\ CAPACITOR	AOPS7657	1	AOPS7653	1		
2C	MOTOR MOUNTING BRACKET	AOPS7670	1	AOPS7670	1		
3	SIDE CASING (LEFT & RIGHT)	620049	2	620032-1	2		
4	FILTER	370051	1	370051	1		
5	REAR TOP PANEL	610505	1	610514-1	1		
6	REAR BOTTOM PANEL	610503	1	610512-1	1		
7	END CAP (INTAKE & EXHAUST)	620499	2	620508-1	2		
8	FILTER SUPPORT	614752	2	614753-1	2		
9	BLOWER ACCESS DOOR	620500	1	620509-1	1		
10	FRONT CENTER PANEL	610501	1	610510-1	1		
11	FRONT REMOVABLE PANEL	610502	1	610511-1	1		
12	FRONT TOP PANEL	619164	1	619152-7	1		
12A	LIMIT SWITCH (TOP LEFT)	350953	1	350953	1		
12B	LIMIT SHIELD	19144	1	19144	1		
12C	LIMIT SWITCH (TOP RIGHT)	350264	1	350817	1		
12D	LIMIT COVER	19146	1	19146	1		
12E	COVER PLATE	619157	1	619157	1		
13	DRAW COLLAR	14131	1	14132	1		
14	OIL FURNACE CONTROL	AOPS8380	1	AOPS8380	1		
14A	TRANSFORMER	350464	1	350464	1		
14B	WIRE HARNESS, BLOWER	350266	1	350266	1		
14C	WIRE HARNESS, MAIN	350272	1	350272	1		
15	FLUE GASKET	330005	1	330006	1		
16	AUX LIMIT SWITCH	350263	1	350263	1		
19	OIL BURNER, BECKETT AFG	380737	1	380738	1		
19A	NOZZLE	380367	1	380369	1		
21	4" INSPECTION GASKET	330009	1	330009	1		
22	INSPECTION COVER	15794	1	15794	1		
23	TOP MTG PLATE	25716	1	25716	1		
24	BOTTOM MTG PLATE	25737	1	25737	1		
25	TOP MTG PLATE GASKET	330055	1	330055	1		
26	BOTTOM MTG PLATE GASKET	330056	1	330056	1		
27	DOOR HANDLE PKG (1 SET)	AOPS7578	1	AOPS7578	1		
28	DRAFT REGULATOR	370105	1	370106	1		
29	ROCK WOOL INSULATION	AOPS7575	1	AOPS7575	1		
30	CHAMBER	AOPS7323	1	AOPS7324	1		

All installations and services must be performed by qualified service personnel.

OT11-105RBP & , OT16-125RBP



NOTE: UNIT IS SHOWN IN A VERTICAL POSITION.

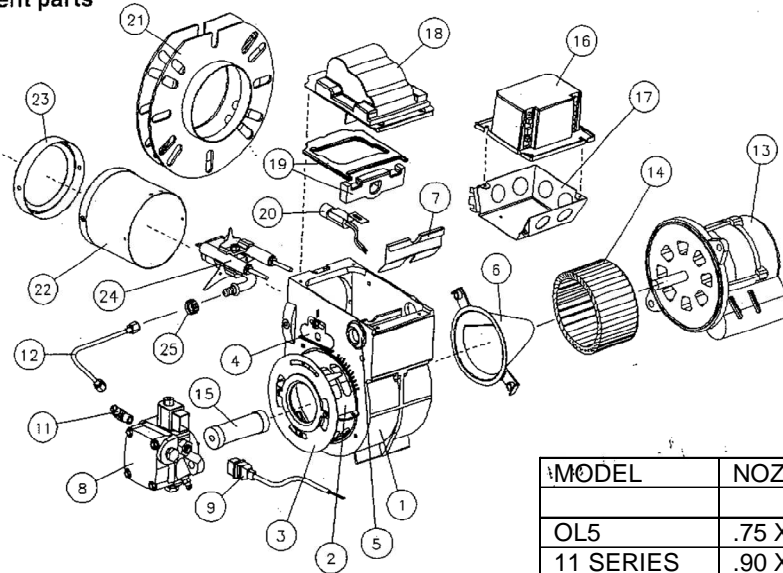
All installations and services must be performed by qualified service personnel.

ITEM	PARTS DESCRIPTION	UNIT		OT11-105RBP		OT16-125RBP	
		PART NO.	QTY.	PART NO.	QTY.	PART NO.	QTY.
1	HEAT EXCHANGER ASSEMBLY	31599	1	31602	1		
1A	HX CLEANOUT COVER KIT	AOPS7586	1	AOPS7586	1		
2	BLOWER ASSEMBLY	S00S4228	1	S00S4229	1		
2A	BLOWER HSG w\ WHEEL	S00S4143	1	340039	1		
2B	MOTOR w\ CAPACITOR	AOPS7657	1	AOPS7653	1		
2C	MOTOR MOUNTING BRACKET	AOPS7670	1	AOPS7670	1		
3	SIDE CASING (LEFT & RIGHT)	620049	2	620032-1	2		
4	FILTER	370051	1	370051	1		
5	REAR TOP PANEL	610507	1	610516-1	1		
6	REAR BOTTOM PANEL	610503	1	610512-1	1		
7	END CAP (INTAKE & EXHAUST)	620499	2	620508-1	2		
8	FILTER SUPPORT	614752	2	614753-1	2		
9	BLOWER ACCESS DOOR	620500	1	620509-1	1		
10	FRONT CENTER PANEL	610501	1	610510-1	1		
11	FRONT REMOVABLE PANEL	610502	1	610511-1	1		
12	FRONT TOP PANEL	619165	1	619153-7	1		
12B	LIMIT SHIELD	19144	1	19144	1		
12C	LIMIT SWITCH (TOP RIGHT)	350264	1	350264	1		
12D	LIMIT COVER	19146	1	19146	1		
13	DRAW COLLAR	14131	1	14132	1		
14	OIL FURNACE CONTROL	AOPS8380	1	AOPS8380	1		
14A	TRANSFORMER	350464	1	350464	1		
14B	WIRE HARNESS, BLOWER	350266	1	350266	1		
14C	WIRE HARNESS, MAIN	350272	1	350272	1		
15	FLUE GASKET	330005	1	330006	1		
16	AUX LIMIT SWITCH	350263	1	350263	1		
19	OIL BURNER, BECKETT AFG	380737	1	380738	1		
19A	NOZZLE	380367	1	380369	1		
21	4" INSPECTION GASKET	330009	1	330009	1		
22	INSPECTION COVER	15794	1	15794	1		
23	TOP MTG PLATE	25716	1	25716	1		
24	BOTTOM MTG PLATE	25737	1	25737	1		
25	TOP MTG PLATE GASKET	330055	1	330055	1		
26	BOTTOM MTG PLATE GASKET	330056	1	330056	1		
27	DOOR HANDLE PKG (1 SET)	AOPS7578	1	AOPS7578	1		
28	DRAFT REGULATOR	370105	1	370106	1		
29	ROCK WOOL INSULATION	AOPS7575	1	AOPS7575	1		
30	CHAMBER	AOPS7323	1	AOPS7324	1		

All installations and services must be performed by qualified service personnel.

TP 1011 AFG BURNER PART# 380737

Replacement parts



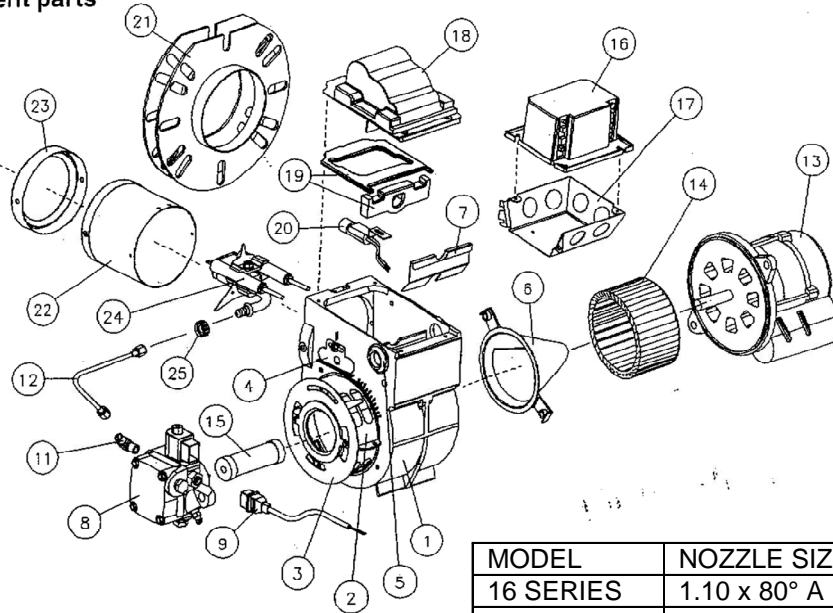
MODEL	NOZZLE SIZE	PART #
OL5	.75 X 80° A	380366
11 SERIES	.90 X 80° A	380367

ITEM	DESCRIPTION	BECKETT PART #	TP PART #
1	BURNER HOUSING ASSY.	5874MR	
2	AIR BAND ASSY. SETTING - 0	5151501	
3	AIR SHUTTER, SETTING - 7	3494	
4	ESCUTCHEON PLATE	3493	
	SCREW		
5	HOLE PLUG		
6	AIR GUIDE	31231U	
7	LOW FIRING RATE BAFFLE	5880	
8	*PUMP 100PSI	21844	380674
	*SOLENOID	21755	380654
9	VALVE CORD SET	21807	380653
11	PUMP ELBOW	2256	320815
12	CONNECTION TUBE	5394	380268
13	*MOTOR 1/7 HP 3450 RPM	21805E	380644
14	BLOWER WHEEL 4 1/4 X 2 7/16 TAB	2999	380271
15	COUPLING	2454	380241
16	*PRIMARY CONTROL R7184B	7456	350431
17	ELECTRICAL BOX	3741	
18	*IGNITER W/ GASKETS	51771U	380645
19	IGNITER GASKET KIT		
20	CAD CELL w/ Socket C554A1919	7006Q	350104
21	FLANGE	3634BK	380265
	GASKET	3616	380270
22	AIR TUBE COMBINATION	AF76XNOS	
	BLAST TUBE ONLY		380273
23	HEAD F3	360003	380260
	SLEEVE	31581	380242 / AOPS0511
24	ELECTRODE NOZZLE ASSY		380282
	*ELECTRODES PAIR	5780	380269
	STATIC PLATE, 2 3/4 U	3383	380330
25	SPLINED NUT(BULKHEAD NUT)	3666	320121
	BULK HEAD FITTING	3488	320120

All installations and services must be performed by qualified service personnel.

TP 1021 AFG BURNER PART# 380738

Replacement parts



MODEL	NOZZLE SIZE	PART #
16 SERIES	1.10 x 80° A	380369

ITEM	DESCRIPTION	BECKETT PART #	TP PART #
1	BURNER HOUSING ASSY.	5874MR	
2	AIR BAND ASSY. SETTING - 0	5151501	
3	AIR SHUTTER, SETTING - 7	3494	
4	ESCUTCHEON PLATE SCREW	3493	
5	HOLE PLUG		
6	AIR GUIDE	31231U	
7	LOW FIRING RATE BAFFLE	5880	
8	PUMP 100PSI SOLENOID	21844 21755	380674 380654
9	VALVE CORD SET	21807	380653
11	PUMP ELBOW	2256	320815
12	CONNECTION TUBE	5394	380268
13	MOTOR 1/7 HP 3450 RPM	21805E	380644
14	BLOWER WHEEL 4 1/4 X 2 7/16 TAB	2999	380271
15	COUPLING	2454	380241
16	PRIMARY CONTROL R7184B	7456	350431
17	ELECTRICAL BOX	5770	
18	IGNITER W/ GASKETS	51771U	380645
19	IGNITER GASKET KIT		
20	CAD CELL w/ Socket C554A1919	7006Q	350104
21	FLANGE GASKET	3634BK 31653	380265 380270
22	AIR TUBE COMBINATION AIR TUBE ONLY	AF76YBOS	 380273
23	HEAD F-6 SLEEVE	360006 31581	380261 AOPS0511
24	ELECTRODE NOZZLE ASSY ELECTRODES PAIR STATIC PLATE, 2 3/4 U	 5780 3383	380282 380269 380330
25	SPLINED NUT(BULKHEAD NUT) BULK HEAD FITTING	3666 3488	320121 320120

All installations and services must be performed by qualified service personnel.

APPENDIX-B Wiring Diagrams

OL5-85*DBP, OL11-105*DBP, OL16-125*DBP

ELECTRICAL DIAGRAMS & OPERATING INSTRUCTIONS FOR LOWBOY OIL FURNACE

P/N WD-630
ECN 5325AMA

OPERATING INSTRUCTIONS

For your safety, read this information before operating this furnace.

WARNING: Failure to follow these instructions may result in a fire or explosion causing property damage, personal injury, or loss of life.

WHAT TO DO IN THE EVENT OF AN OIL LEAK:

- Do not try to operate this or any other nearby appliance.
- Immediately call a qualified heating contractor for service.
- If you cannot reach a qualified heating contractor, call the fuel oil supplier or the fire department.

DO NOT use this furnace if any component was under water. Immediately call a qualified heating contractor to inspect the furnace and replace any part of the furnace control system that was underwater.

This furnace does not have a pilot light. It is equipped with an ignition system that automatically lights the burner. DO NOT attempt to light the burner by hand.

TO OPERATE THIS FURNACE:

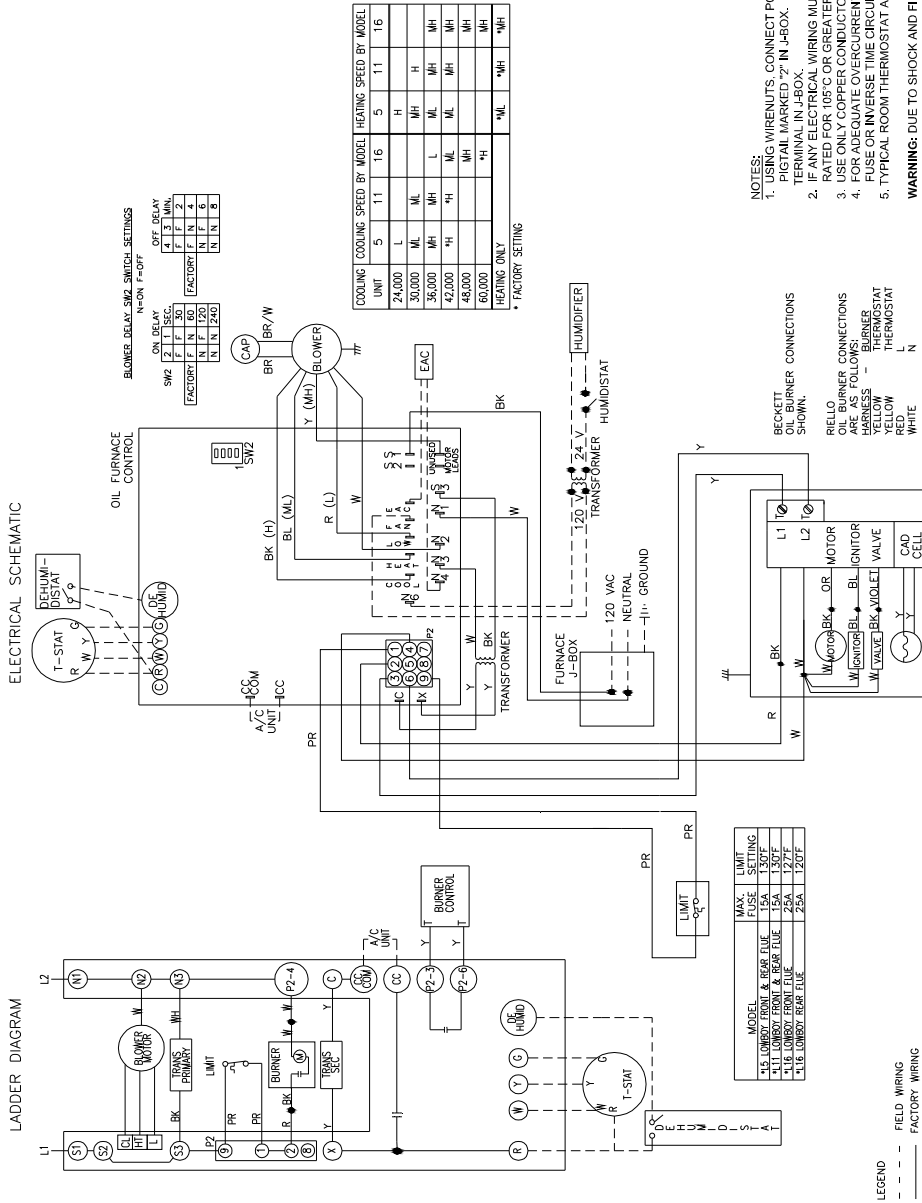
1. Adjust the room thermostat to the lowest setpoint and set the operating mode, if equipped, to "OFF".
2. Turn off all electric power to the furnace at the disconnecting switch.
3. Rotate the manual oil shutoff valve to the open or on position.
4. This furnace is equipped with an electronic ignition system that automatically lights the burner. DO NOT try to light the burner by hand.
5. Turn on the electric power to the furnace at the disconnecting switch.
6. Adjust the room thermostat to the desired setpoint and set the operating mode, if equipped, to "HEAT".
7. If the furnace will not operate, call a qualified heating contractor for service.

TO INTERRUPT (STOP) OPERATION OF THIS FURNACE:

1. Adjust the room thermostat to the lowest setpoint and set the operating mode, if equipped, to "OFF".
2. If service will be performed, turn off all electrical power to the furnace at the disconnecting switch.
3. Turn the manual oil shutoff valve to the closed or off position.

- NOTES:
1. SINGLE WIRES/TERMINALS: CONNECT POWER SUPPLY WIRE L1 TO PIGTAIL MARKED "1" AND WIRE L2 TO PIGTAIL MARKED "2". IN J-BOX. CONNECT AN EARTH GROUNDING WIRE TO GROUND WIRE TERMINAL IN J-BOX.
 2. IF ANY ELECTRICAL WIRING MUST BE REPLACED, NEW WIRING MUST HAVE AN INSULATION TYPE RATED FOR 105°C OR GREATER.
 3. USE ONLY COPPER CONDUCTORS FOR ALL FIELD AND REPLACEMENT WIRING.
 4. FOR ADEQUATE OVERCURRENT PROTECTION, MAXIMUM ACCEPTABLE SIZE TIME DELAY TYPE FUSE OR INVERSE TIME CIRCUIT BREAKER REFER TO NAME PLATE.
 5. TYPICAL ROOM THERMOSTAT ANTICIPATOR SETTING IS 0.2 A.

WARNING: DUE TO SHOCK AND FIRE HAZARD, CLASS 2 HEATING AND COOLING CIRCUITS MUST REMAIN SEPARATED.



UNIT	5	11	16	5	11	16
24,000	L	L	L	H	H	H
30,000	ML	ML	ML	WH	H	H
36,000	WH	WH	L	ML	ML	WH
42,000	WH	WH	WH	ML	ML	WH
48,000	WH	WH	WH	WH	WH	WH
60,000	WH	WH	WH	WH	WH	WH
HEATING ONLY				ML	WH	WH
FACTORY SETTING						

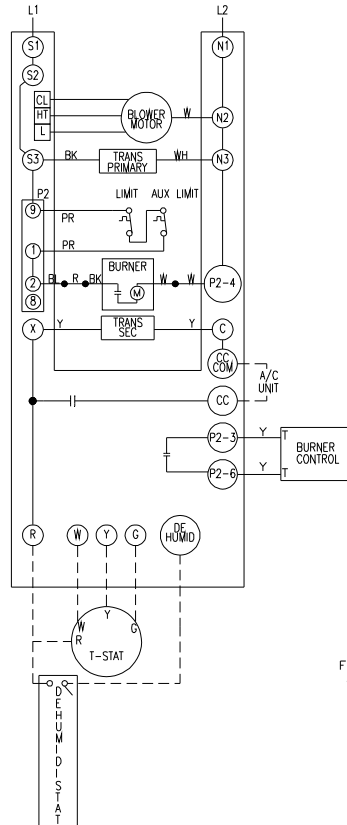
MODEL	MAX. FRONT & REAR FUE	LIMIT
OL5 LOWBOY FRONT & REAR FUE	15A	1.50T
OL11 LOWBOY FRONT FUE	15A	1.50T
OL16 LOWBOY FRONT FUE	25A	1.77F
OL5 LOWBOY REAR FUE	25A	1.50T

LEGEND
 --- FIELD WIRING
 - - - FACTORY WIRING

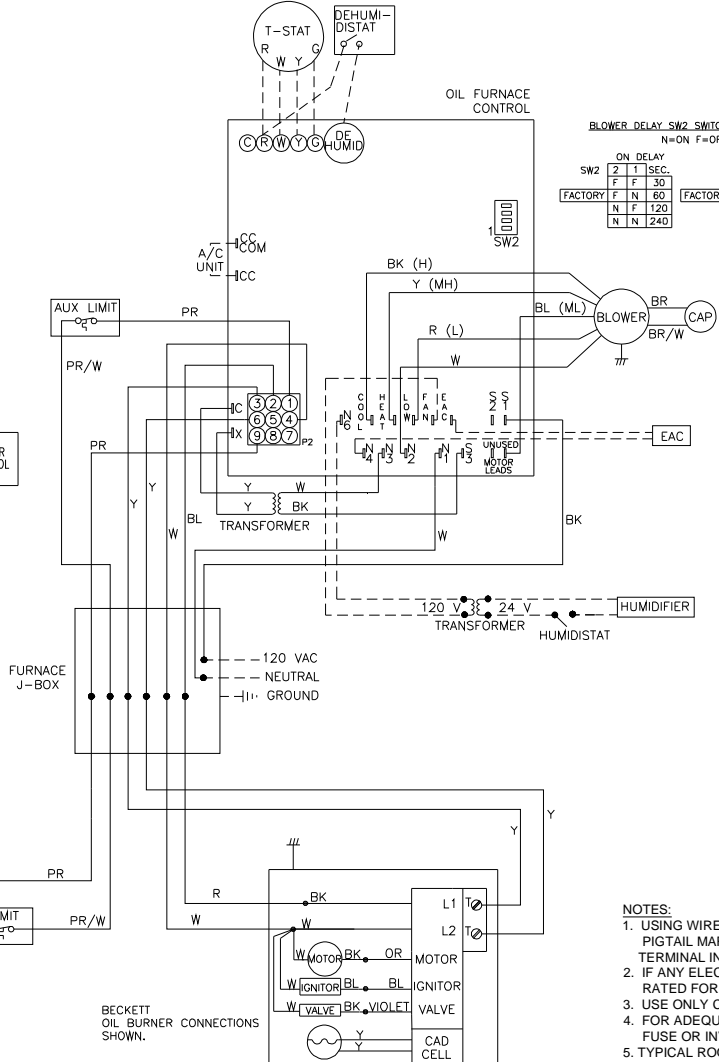
ELECTRICAL DIAGRAMS & OPERATING INSTRUCTIONS FOR HORIZONTAL OIL FURNACE

OPERATING INSTRUCTIONS

LADDER DIAGRAM



ELECTRICAL SCHEMATIC



BLOWER DELAY SW2 SWITCH SETTINGS
N=ON F=OFF

SW2	ON DELAY	OFF DELAY
	2 T SEC.	4 3 MIN.
FACTORY	F F 30	F F 2
	N F 60	F N 4
	N F 120	N F 6
	N N 240	N N 8

For your safety, read this information before operating this furnace.

WARNING: Failure to follow these instructions may result in a fire or explosion causing property damage, personal injury, or loss of life.

WHAT TO DO IN THE EVENT OF AN OIL LEAK:

- Do not try to operate this or any other nearby appliance.
- Immediately call a qualified heating contractor for service.
- If you cannot reach a qualified heating contractor, call the fuel oil supplier or the fire department.

DO NOT use this furnace if any component was underwater. Immediately call a qualified heating contractor to inspect the furnace and replace any part of the furnace control system that was underwater.

This furnace does not have a pilot light. It is equipped with an ignition system that automatically lights the burner. DO NOT attempt to light the burner by hand.

TO OPERATE THIS FURNACE:

1. Adjust the room thermostat to the lowest setpoint and set the operating mode, if equipped, to "OFF".
2. Turn off all electric power to the furnace at the disconnecting switch.
3. Rotate the manual oil shutoff valve to the open or on position.
4. This furnace is equipped with an electronic ignition system that automatically lights the burner. DO NOT try to light the burner by hand.
5. Turn on the electric power to the furnace at the disconnecting switch.
6. Adjust the room thermostat to the desired setpoint and set the operating mode, if equipped, to "HEAT".
7. If the furnace will not operate, call a qualified heating contractor for service.

TO INTERRUPT (STOP) OPERATION OF THIS FURNACE:

1. Adjust the room thermostat to the lowest setpoint and set the operating mode, if equipped, to "OFF".
2. If service will be performed, turn off all electrical power to the furnace at the disconnecting switch.
3. Turn the manual oil shutoff valve to the closed or off position.

NOTES:

1. USING WIRENUTS, CONNECT POWER SUPPLY WIRE L1 TO PIGTAIL MARKED "1" AND WIRE L2 TO PIGTAIL MARKED "2" IN J-BOX. CONNECT AN EARTH GROUNDING WIRE TO GROUND WIRE TERMINAL IN J-BOX.
2. IF ANY ELECTRICAL WIRING MUST BE REPLACED, NEW WIRING MUST HAVE AN INSULATION TYPE RATED FOR 105°C OR GREATER.
3. USE ONLY COPPER CONDUCTORS FOR ALL FIELD AND REPLACEMENT WIRING.
4. FOR ADEQUATE OVERCURRENT PROTECTION, MAXIMUM ACCEPTABLE SIZE TIME DELAY TYPE FUSE OR INVERSE TIME CIRCUIT BREAKER REFER TO NAME PLATE.
5. TYPICAL ROOM THERMOSTAT ANTICIPATOR SETTING IS 0.2 A.

WARNING: DUE TO SHOCK AND FIRE HAZARD, CLASS 2 HEATING AND COOLING CIRCUITS MUST REMAIN SEPARATED.

LEGEND

- - - - - FIELD WIRING
- FACTORY WIRING

MODEL	MAX. FUSE	LIMIT SETTING
**11 HORIZ FRONT FLUE, LEFT DISCHARGE	15A	160°F
**11 HORIZ FRONT FLUE, RIGHT DISCHARGE	15A	120°F
**11 HORIZ REAR FLUE	15A	160°F
**16 HORIZ FRONT FLUE, LEFT DISCHARGE	25A	150°F
**16 HORIZ FRONT FLUE, RIGHT DISCHARGE	25A	120°F
**16 HORIZ REAR FLUE	25A	160°F

COOLING UNIT	COOLING SPEED BY MODEL		HEATING SPEED BY MODEL	
	11	16	11	16
24,000	L		H	
30,000	ML		H	
36,000	MH		H	
42,000	*H		MH	
48,000				
60,000		*H		*H
HEATING ONLY			*MH	*MH

* FACTORY SETTING

BECKETT OIL BURNER CONNECTIONS SHOWN.

RIELLO OIL BURNER CONNECTIONS ARE AS FOLLOWS:
HARNES - BURNER
YELLOW - THERMOSTAT
YELLOW - THERMOSTAT
BLUE - THERMOSTAT
WHITE - L
WHITE - N

All installations and services must be performed by qualified service personnel.

OL11-105 *DBE, OL16-125 *DBE

OPERATING INSTRUCTIONS

For your safety, read this information before operating this furnace.

WARNING: Failure to follow these instructions may result in a fire or explosion causing property damage, personal injury, or loss of life.

WHAT TO DO IN THE EVENT OF AN OIL LEAK:

- Do not try to operate this or any other nearby appliance.
- Immediately call a qualified heating contractor for service.
- If you cannot reach a qualified heating contractor, call the fuel oil supplier or the fire department.

DO NOT use this furnace if any component was underwater. Immediately call a qualified heating contractor to inspect the furnace and replace any part of the furnace control system that was underwater.

This furnace does not have a pilot light. It is equipped with an ignition system that automatically lights the burner. DO NOT attempt to light the burner by hand.

TO OPERATE THIS FURNACE:

1. Adjust the room thermostat to the lowest setpoint and set the operating mode, if equipped, to "OFF".
2. Turn off all electric power to the furnace at the disconnecting switch.
3. Rotate the manual oil shutoff valve to the open or on position.
4. This furnace is equipped with an electronic ignition system that automatically lights the burner. DO NOT try to light the burner by hand.
5. Turn on the electric power to the furnace at the disconnecting switch.
6. Adjust the room thermostat to the desired setpoint and set the operating mode, if equipped, to "HEAT".
7. If the furnace will not operate, call a qualified heating contractor for service.

TO INTERRUPT (STOP) OPERATION OF THIS FURNACE:

1. Adjust the room thermostat to the lowest setpoint and set the operating mode, if equipped, to "OFF".
2. If service will be performed, turn off all electrical power to the furnace at the disconnecting switch.
3. Turn the manual oil shutoff valve to the closed or off position.

- NOTES:
1. USING WIRES: CONNECT POWER SUPPLY WIRE L1 TO DIGITAL MARKED "1" AND WIRE L2 TO DIGITAL MARKED "2" IN J-BOX. CONNECT AN EARTH GROUNDING WIRE TO GROUND WIRE.
 2. IF ANY ELECTRICAL WIRING MUST BE REPLACED, NEW WIRING MUST HAVE AN INSULATION TYPE RATED FOR 105°C OR GREATER.
 3. USE ONLY COPPER CONDUCTORS FOR ALL FIELD AND REPLACEMENT WIRING.
 4. FOR ADEQUATE OVERCURRENT PROTECTION, MAXIMUM ACCEPTABLE SIZE TIME DELAY TYPE FUSE OR INVERSE TIME CIRCUIT BREAKER REFER TO NAME PLATE.
 5. TYPICAL ROOM THERMOSTAT ANTICIPATOR SETTING IS 0.2 A.

WARNING: DUE TO SHOCK AND FIRE HAZARD, CLASS 2 HEATING AND COOLING CIRCUITS MUST REMAIN SEPARATED.

ELECTRICAL DIAGRAMS & OPERATING INSTRUCTIONS FOR LOWBOY OIL FURNACE

P/N WD-632
ECN 5325AMA

